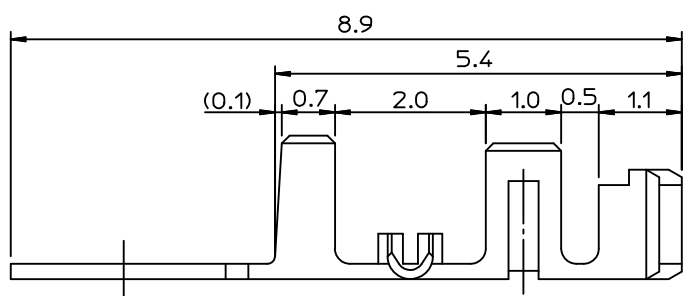


NOTE

1. MATERIAL
 - 1) BRASS (CDA 260)
 - 2) PHOSPHOR BRONZE (CDA 510)
2. PLATING
 - 1) PRE PLATED - TIN OVER COPPER
 - 2) POST PLATED - TIN/LEAD OVER COPPER
3. USED HOUSING : 35022-00**/35023-00**/68418-**00
- ④ 4. CAMBER : 30/1,000 MAX.



POST-PLATED	PHOS. BRON.	AWG #24-#30	1.8	1.9	R0.4	0.85	350211310	35021-1310
PRE-PLATED	PHOS. BRON.	(INS. DIA: Ø 1.5 MAX.)	2.5	2.5	R0.7	1.05	350211301	35021-1301
	BRASS						350211201	35021-1201
PRE-PLATED	PHOS. BRON.	AWG #22-#28 ①	2.5	2.5	R0.7	1.05	350211101	35021-1101
	BRASS	(INS. DIA: Ø1.9 MAX.)					350211001	35021-1001
POST-PLATED	PHOS. BRON.						350211110	35021-1110
PLATING	MATERIAL	WIRE RANGE	D	C	B	A	MAT'L NO.	ENG NO.

REVISED
 EC NO: KOR2011-0132
 DRW: SUNGHYUK JOO 2011/05/24
 CHKD: YSOOK IM 2011/05/24
 APPR: YUNSIKK IM 2011/06/03

QUALITY SYMBOLS	DESCRIPTION
▽=0	
⊕=0	

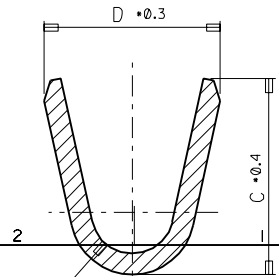
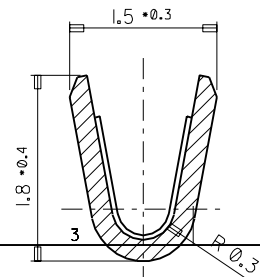
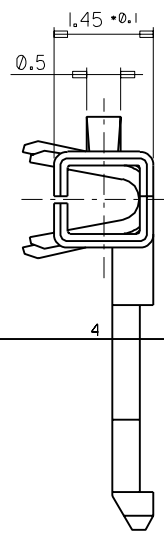
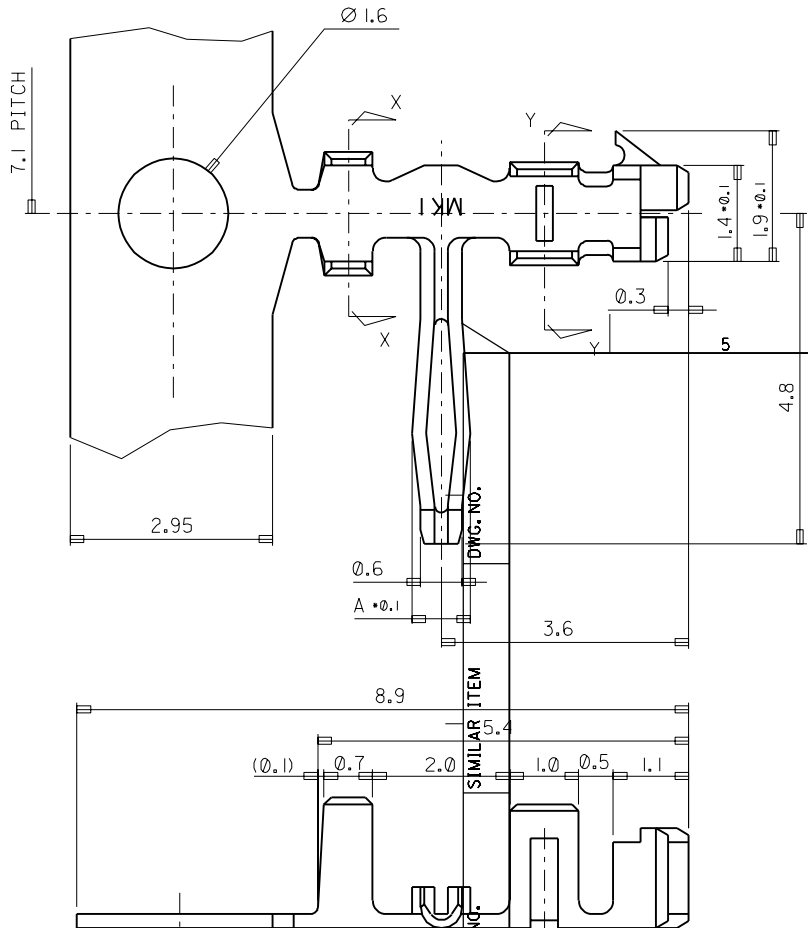
GENERAL TOLERANCES (UNLESS SPECIFIED)	
mm	INCH
4 PLACES ± ---	± ---
3 PLACES ± ---	± ---
2 PLACES ± ---	± ---
1 PLACE ± 0.3	± ---
ANGULAR ± 1 °	
DRAFT WHERE APPLICABLE MUST REMAIN WITHIN DIMENSIONS	

DIMENSION STYLE	
MM ONLY	
DRAWN BY	DATE
HSSHIN	
CHECKED BY	DATE
JKOH	
APPROVED BY	DATE
MATERIAL NO.	
SEE TABLE	
SIZE	A3

SCALE	DESIGN UNITS	THIRD ANGLE PROJECTION
15:1	METRIC	⊙ □
TITLE		
R/A B-IN TERMINAL		
MOLEX INCORPORATED		SHEET NO.
DOCUMENT NO. SD-35021-001		1 OF 1
THIS DRAWING CONTAINS INFORMATION THAT IS PROPRIETARY TO MOLEX INCORPORATED AND SHOULD NOT BE USED WITHOUT WRITTEN PERMISSION		

DO NOT SCALE DRAWING
DIMENSION IN METRIC

PROJECT NO. 35021-1-***
SIMILAR ITEM 35021-1-***
DWG. NO. SD 35021-1-***



- NOTE
- MATERIAL
 - BRASS (CDA 260)
 - PHOSPHOR BRONZE (CDA 510)
 - PLATING
 - PRE PLATED - TIN OVER COPPER
 - POST PLATED - TIN/LEAD OVER COPPER
 - USED HOUSING : 35022-00** / 35023-00**

POST-PLATED	PHOS. BRON.	AWG #24-#30						35021-1310
PRE-PLATED	PHOS. BRON.	(INS. DIA: Ø 1.5 MAX.)	1.8	1.9	R0.4	0.85		35021-1301
	BRASS							35021-1201
PRE-PLATED	PHOS. BRON.	AWG #22-#30						35021-1101
	BRASS	(INS. DIA: Ø 1.9 MAX.)	2.5	2.5	R0.7	1.05		35021-1001
POST-PLATED	PHOS. BRON.							35021-1110
PLATING	MATERIAL	WIRE RANGE	D	C	B	A		ENG NO.

REVISED EC NO. KOR1998-0091 DRWN: HSSHIN(980609) CHK: JKOH APPR: CWLEE	QUALITY SYMBOLS MAJOR CRITICAL	GENERAL TOLERANCES: (UNLESS SPECIFIED)		SCALE 15-1	DESIGN UNITS <input checked="" type="checkbox"/> mm <input type="checkbox"/> INCH	THIRD ANGLE PROJECTION	DIMENSIONS: <input type="checkbox"/> mm <input type="checkbox"/> INCH <input checked="" type="checkbox"/> mm ONLY		SHT	REV	
		4 PLACES ±0.1	±	DRAWN BY & DATE HSSHIN	TITLE: R/A B-IN TERMINAL						
		3 PLACES ±0.1	±	CHECKED BY & DATE JKOH	APPROVED BY & DATE CWLEE				MOLEX INCORPORATED KOREA		
		2 PLACES ±0.1	±	APPROVED BY & DATE CWLEE		CAD FILENAME SD35021.DGN	MATERIAL NO. 350-21-1-***	DRAWING NO. SD 35021-1-***	SHEET NO. 10F1	SIZE B	
1 PLACE ±0.3	±	ANGULAR ± 1°		THIS DRAWING CONTAINS INFORMATION THAT IS PROPRIETARY TO MOLEX INCORPORATED AND SHOULD NOT BE USED WITHOUT WRITTEN PERMISSION.							
REV	DESCRIPTION	DRAFT WHERE APPLICABLE MUST REMAIN WITHIN DIMENSIONS									