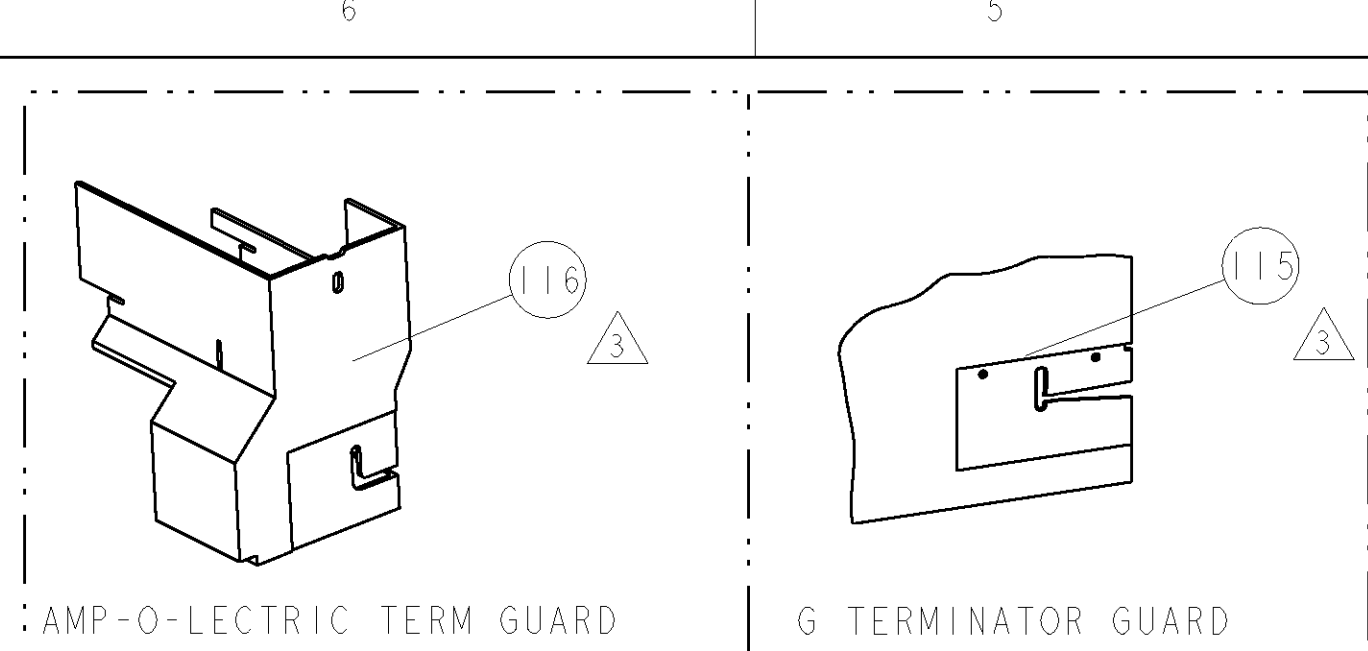


PART NUMBER	REV	FIRST USED	POWER UNIT	FEED TYPE	DESCRIPTION
1855226-1	A	122500-1	LEADMAKER	POST FEED	CUTS CARRIER
1855226-2	A	565435-5	BENCH MODEL K	PRE FEED	CUTS CARRIER
1855226-3	A	354500-1	BENCH MODEL G	PRE FEED	CUTS CARRIER
1855226-6	A	122500-1	LEADMAKER	POST FEED	CONTINUOUS CARRIER
7-1855226-7	A	-	-	-	SPARE PARTS

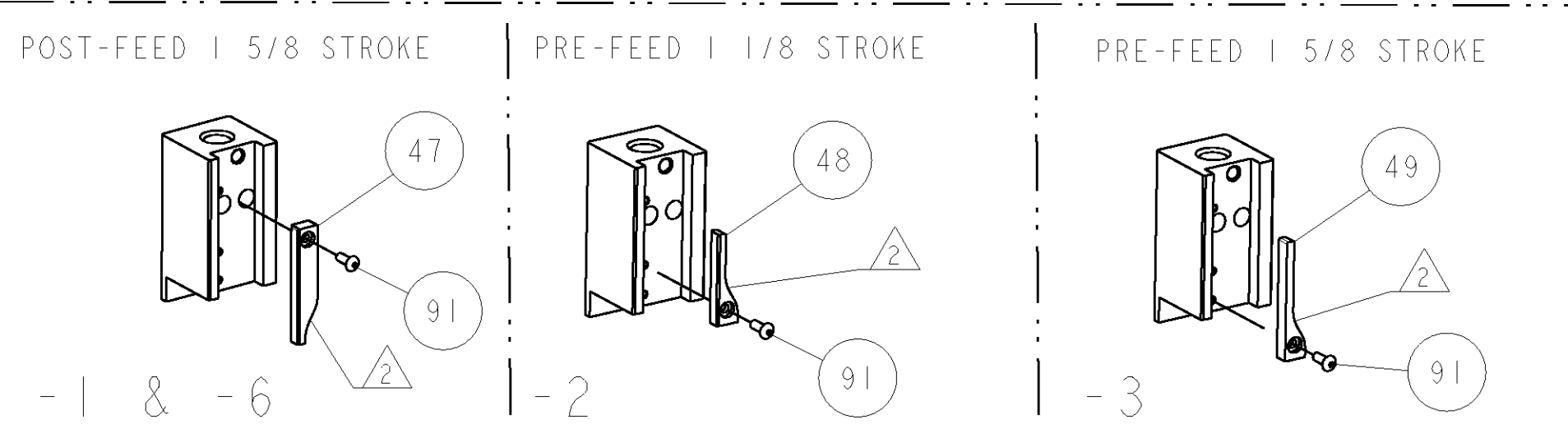
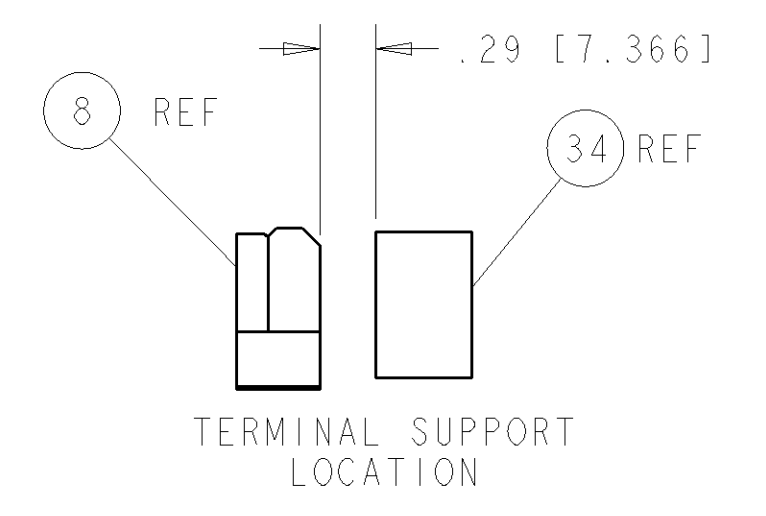
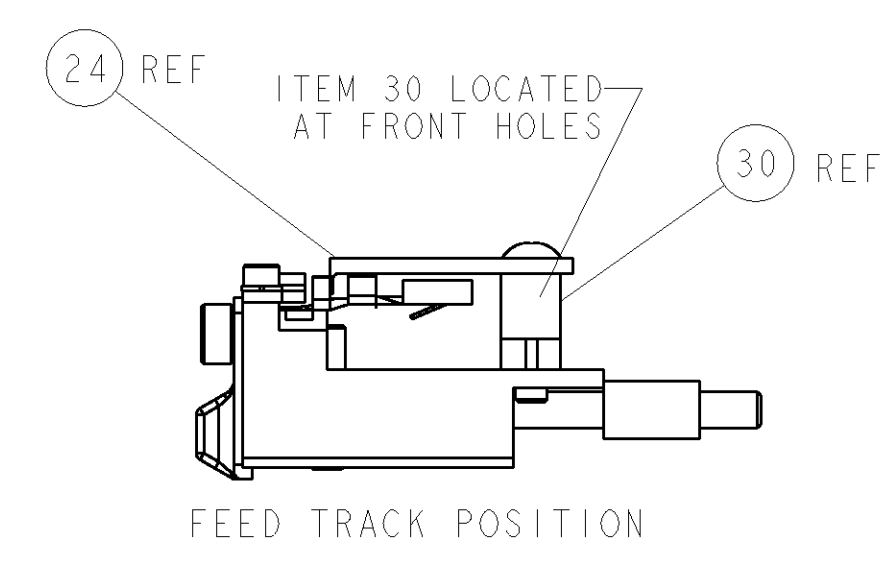
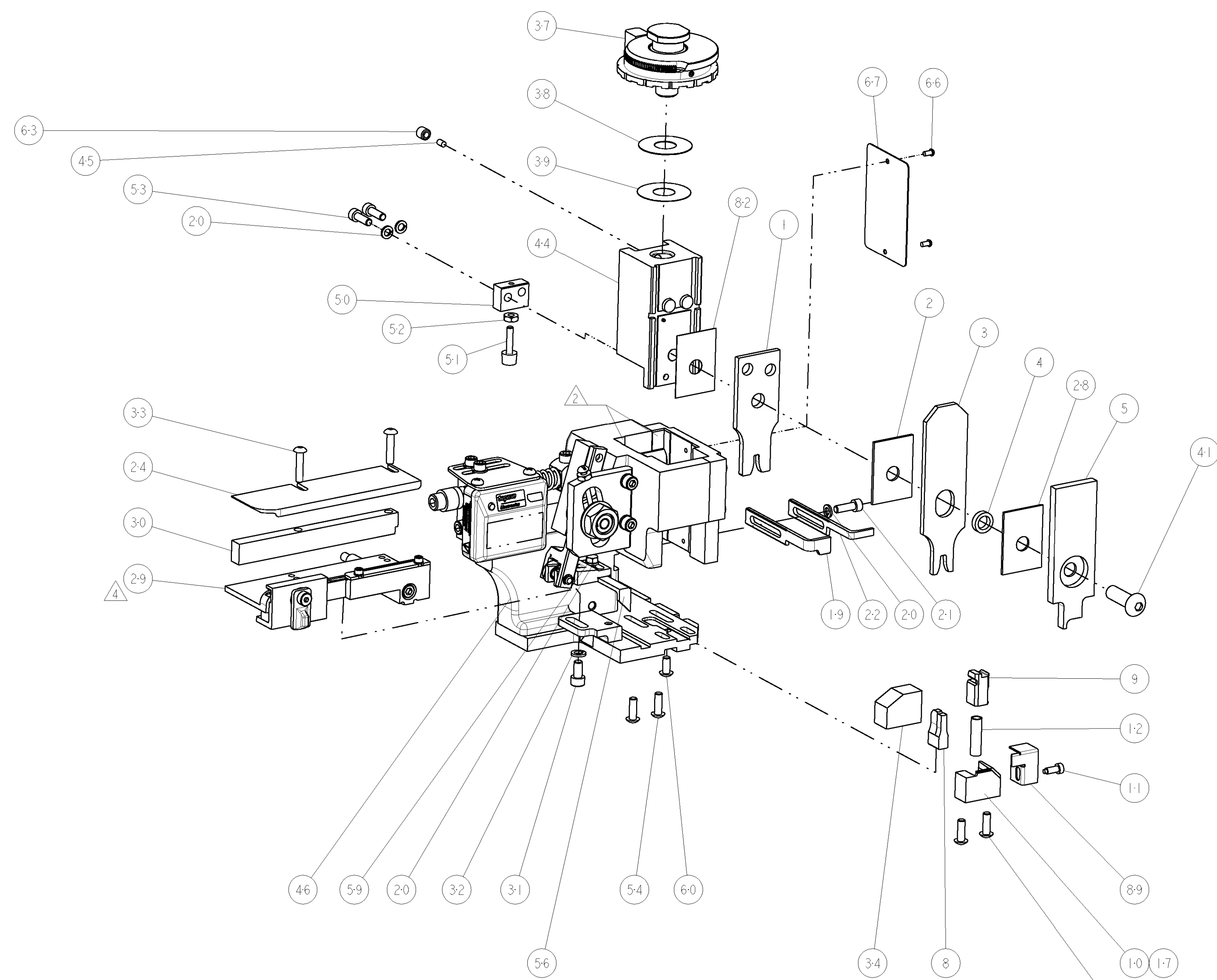


TERMINAL NAME: TAXI TERMINAL, FEMALE, 56 SERIES			
TYCO PN	MANUF PN	PACKARD TERM. - PACKARD CRIMP SPECS	
1949310	12124517		
-	-	CRIMP HEIGHT	WIRE SIZE
-	-	1.70±0.05mm [1.067±.002]	2mm2
-	-	1.65±0.05mm [1.065±.002]	1.5mm2
-	-	1.65±0.05mm [1.065±.002]	1mm2
-	-	-	-
-	-	CRIMP	SIZE
-	-	WIRE	3.23mm [1.27]
-	-	INSUL	3.94mm [1.55]
-	-	FEED	17.53
-	-	APPLICATOR INSTRUCTIONS	408-8040
-	-	SET UP GAGE	458637-1

LOC	DIST	P	LTR	DESCRIPTION	DATE	BY	APPD
A	66			RELEASED	10APR2007	MEH	GB

- △ RECOMMENDED SPARE PARTS
- △ GREASE LIGHTLY
- △ GUARD MUST BE IN PLACE WHEN OPERATING APPLICATOR IN A BENCH MACHINE
- △ ADJUST FRONT STRIP GUIDE PLATE SO FEED FINGER IS GUIDED BY OUTSIDE EDGE RATHER THAN THE SLOT.

*** WARNING**
ON INSTALLATION, SET WIRE DISC TO LARGEST WIRE SIZE SETTING. USE OF SETTINGS BELOW MIN. REQUIRED CRIMP HEIGHT SETTING WILL CAUSE DAMAGE TO CRIMP TOOLING.



QTY	REF	DESCRIPTION	ITEM NO
-	-	455749-1 GUARD WINDOW	116
-	REF	679532-1 INSERT, GUARD	115
-	1	1-21002-7 SCR, BTN SKT HD CAP 6-32 X .375	91
-	1	318563-1 GUARD, FRONT CHIP	89
-	1	455888-1 SPACER, CRIMPER	82
-	1	4088040 SF APPL INST 408-8040	72
-	1	217238-1 GENERAL INSTRUCTION PKG	71
-	1	461264-5 PLATE, IDENTIFICATION	67
-	2	21017-2 SCREW, DRIVE	66
-	1	21009-2 SCR, SET, SELF LOCKING 1/4-20 X .250	63
-	1	22733-8 SCR, BHSC, SELF-LOCKING, 8-32 X .375	60
-	1	2-22603-0 SCR, HEX HD CAP 8-32 X .312	59
-	1	458537-2 PAWL, FEED	56
-	4	2-21002-2 SCR, BTN SKT HD CAP 8-32 X .500	54
-	2	2-21000-7 SCR, SKT HD CAP 8-32 X .500	53
-	1	21018-5 NUT, HEX, REG 6-32	52
-	1	811242-2 BUMPER, HOLD DOWN	51
-	1	690753-1 SPACER, TONKER	50
-	-	690602-6 CAM, PRE FEED, 1 5/8	49
-	-	690602-5 CAM, PRE FEED, 1 1/8	48
-	1	690501-4 CAM, POST FEED, 1 5/8	47
-	1	459456-1 APPL. BASIC SUB ASSY (SIDE WISE MOCA)	46
-	1	690191-1 PLUG, NYLON	45
-	1	819307-1 RAM, SIDE FEED	44
-	1	7-21002-9 SCR, BTN SKT HD CAP 5/16-24 X 1.00	41
-	1	690125-1 SHIM SUB-ASSY	39
-	1	1-469367-0 SHIM	38
-	1	879103-3 FINE ADJUST HEAD ASSEMBLY	37
-	1	690786-3 TERMINAL SUPPORT	34
-	2	2-21002-4 SCR, BTN SKT HD CAP 8-32 X .750	33
-	1	21024-5 WASHER, SPRG LOCK, REG NO 10	32
-	1	3-21000-4 SCR, SKT HD CAP 10-32 X .375	31
-	1	1320908-1 SPACER, STRIP GUIDE	30
△	1	1633091-1 ASSEMBLY, STRIP GUIDE	29
-	1	1-455888-0 SPACER, CRIMPER	28
-	1	1320928-1 PLATE, STRIP GUIDE	24
-	1	690472-2 STRIPPER	22
-	1	2-21000-7 SCR, SKT HD CAP 8-32 X .500	21
-	4	21024-4 WASHER, SPRG LOCK, REG NO 8	20
-	1	691353-1 STRIPPER	19
△	1	679625-1 SHEAR HOLDER, FRONT (NO CUT)	17
-	1	3-22280-3 SPRING, COMPRESSION	12
-	1	690461-1 STOP, SHEAR	11
△	-	690459-1 SHEAR HOLDER, FRONT	10
△	1	454276-1 FLOATING SHEAR, FRONT	9
△	1	1-1633535-2 ANVIL, COMBINATION	8
-	1	3-455889-6 DEPRESSOR, SHEAR	5
-	1	238011-2 BLOCK, CRIMPER SPACER	4
△	1	3-456134-6 CRIMPER, INSULATION F PREMIUM	3
-	1	1-455888-2 SPACER, CRIMPER	2
△	1	6-1673600-5 CRIMPER, WIRE	1

QTY	REF	DESCRIPTION	ITEM NO					
-77	-6	-3	-2	-1	U/M	PART NO	DESCRIPTION	ITEM NO

Mouser Electronics

Authorized Distributor

Click to View Pricing, Inventory, Delivery & Lifecycle Information:

[TE Connectivity:](#)

[1855226-3](#)