

### R-Series



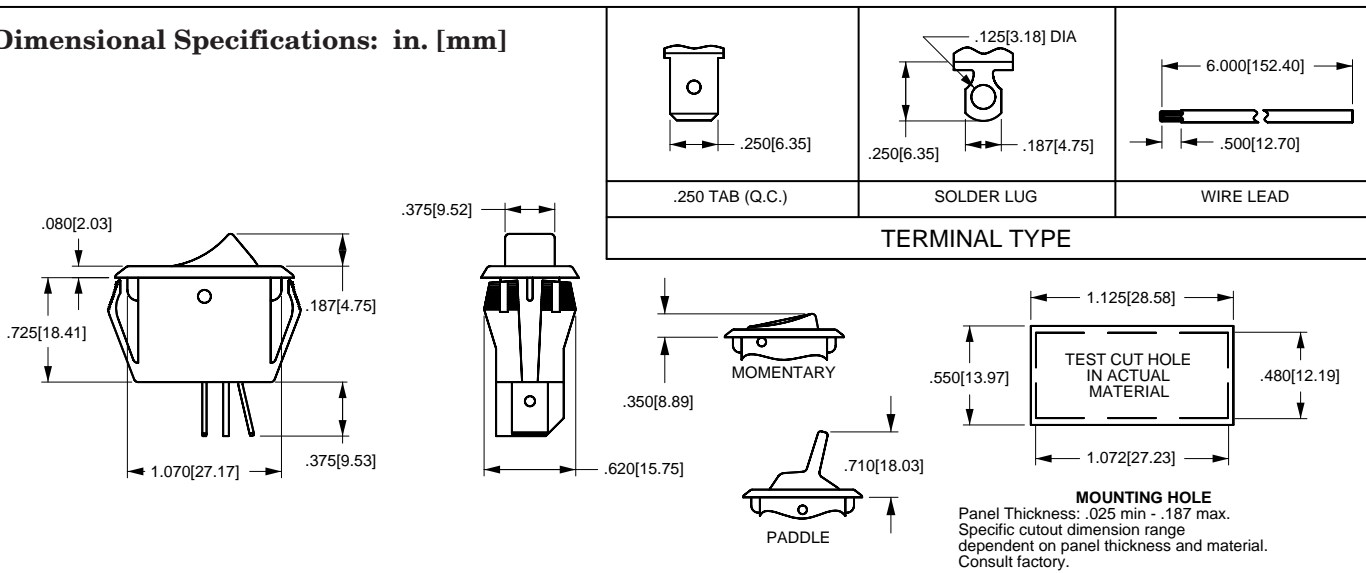
The R-Series Curvette single pole miniature snap-in rocker switches are available with momentary, rocker, paddle & Visi-Rocker type actuators. These aesthetically pleasing switches are compatible with a range of standard panel cutouts. Electrical ratings, with international approvals, are available up to 16 amps.

### Specifications

- **Certifications\***: UL, CSA, VDE, TUV, SEMKO, DEMKO, NEMKO, FIMKO, SEV and BEAB
- **Dielectric Strength**: 1,000 V (minimum)
- **Insulation Resistance**: 100 Megohms (minimum)
- **Base Material**: Nylon
- **Actuator Material**: Polyester or Nylon

\* Due to ongoing technological advances, consult factory for certification specifics.

### Dimensional Specifications: in. [mm]



<b>R</b>	<b>A</b>	<b>91 1</b>	<b>- V B - B - 0 - V</b>
<b>SERIES</b>	<b>CIRCUIT</b>	<b>RATING<sup>1</sup></b>	<b>TERMINATION</b>
<b>R SINGLE POLE</b>	<b>A OFF-NONE-ON</b> <b>B ON-NONE-ON</b> <b>C ON-OFF-ON</b> Available w/ratings 21, 23, 58, & 91 only	<b>20</b> 10A 250VAC 16A 125VAC 3/4HP 125-250VAC <b>21</b> 10A 250 VAC 16A 125VAC <b>22</b> 8A 250VAC 12A 125VAC 1/2HP 125-250VAC <b>23</b> 10A 250VAC 16A 125VAC 1/2HP 125-250VAC <b>58</b> 5A 277VAC 10A 125VAC 10A 30V 8A 14VT <b>90</b> 10A 250VAC 16A 125VAC 3/4HP 125-250VAC 10(4)A 250VACµ T85 <b>91</b> 10A 250VAC 16A 125VAC 10(4)A 250VACµ T85	<b>0</b> SOLDER LUG <b>1</b> .250TAB (QC) <b>5</b> WIRE LEAD
<b>AD</b> OFF-NONE-ON Double Insulation	<b>D OFF-NONE-(ON)</b> Available w/rating 22 only		<b>ACTUATOR STYLE</b>
<b>BD</b> ON-NONE-ON Double Insulation			<b>M</b> MOMENTARY <b>P</b> PADDLE <b>R</b> ROCKER <b>V</b> TWO COLOR <b>V</b> VISI-ROCKER
<b>CD</b> ON-OFF-ON Double Insulation Available w/ratings 21 and 58 only			<b>ACTUATOR COLOR<sup>2</sup></b>
			<b>B</b> BLACK <b>W</b> WHITE
			<b>BASE COLOR<sup>2</sup></b>
			<b>B</b> BLACK <b>W</b> WHITE
			<b>COLOR OF MOLDED-IN LEGEND AND/OR VISI-ROCKER END<sup>2</sup></b>
			<b>N</b> NOT APPLICABLE <b>B</b> BLACK <b>V</b> VISI-RED <b>W</b> WHITE
			<b>ROCKER FACE LEGEND</b>
			<b>MOLED-INS<sup>3</sup></b>
			<b>0</b> NO LEGEND
			<b>1</b> OFF-ON (VERTICAL)
			<b>2</b> OFF-ON (HORIZONTAL)
			<b>8</b> O-I (HORIZONTAL)
			<b>9</b> O-I (VERTICAL)
			ON-OFF (VERTICAL)
			ON-OFF (HORIZONTAL)
			DUAL LEGEND: OFF O-I ON (VERTICAL)
			<b>INK TRANSFER STAMP<sup>4</sup></b>
			<b>0</b>
			<b>A</b>
			<b>B</b>
			<b>D</b>
			<b>E</b>
			<b>F</b>
			<b>G</b>
			<b>H</b>

**NOTES:**  
 Shading indicates standard configurations.  
 Panel Cut-Out Recommendations: For sheet metal panels, switch must enter panel in same direction as the punch. (Burr on bottom.) Test cut hole in actual material.  
 1 Additional ratings are available. Consult factory.  
 Rating 22 must use circuit D only and momentary rocker.  
 2 Matte finish is standard. Custom colors are available. Consult factory.  
 3 Molded-in Legend available only with Visi-Rocker option.  
 4 White is standard with dark actuators; black is standard with light actuators.