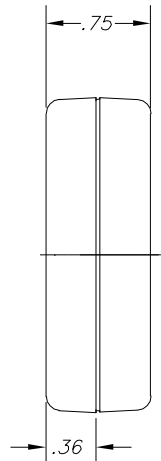
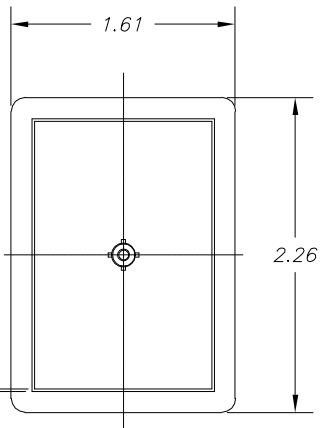


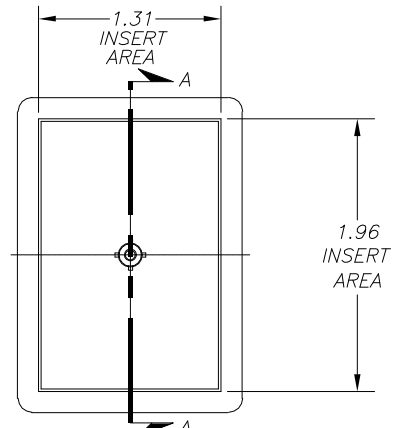
NOTES:
 1. WHEN MACHINE OR I PLATES MODIFICATIONS ARE REQUIRED,
 USE THE CENTER OF THE BOX TO DIMENSION.



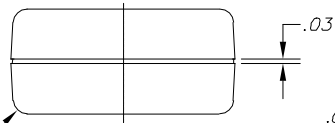
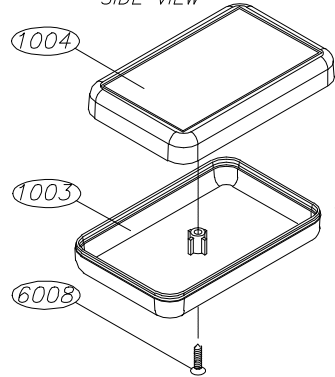
.02 WIDE
 .01 DEEP



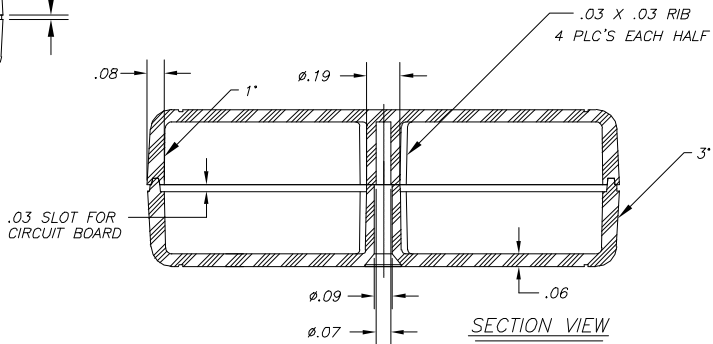
TOP VIEW



BOTTOM VIEW



END VIEW



SECTION VIEW

10-13-98 ALL DIMENSIONS ± .010

PART NO.	DESCRIPTION	ACCESSORIES	
1004	PLASTIC TOP	PART NO.	DESCRIPTION
1003	PLASTIC BOTTOM	55	KEY HOLDER
6008	SCREW	1030	POCKET CLIP