

3M™ Four-Wall Header

.100" × .100" Latch/Ejector, Straight and Right Angle

3000 Series



- Military (with 3M's 3518 & N3518 polarizing key) and centerbump polarization
- Optional ejector latches
- Mounting holes for securing header to board
- Optional polarizing posts available
- High temperature insulator option suitable for "no lead" soldering operations
- High temperature option suitable for reflow soldering using "paste in hole" techniques
- Solder tail option
- See the Regulatory Information Appendix (RIA) in the "RoHS compliance" section of www.3Mconnectors.com for compliance information

Date Modified: October 2, 2012

TS-0772-P
Sheet 1 of 4

Physical

Insulator:

Material: Glass Filled Polyester (PBT)
Glass Filled Polyester (PCT) - (High Temp Option)

Flammability: UL 94V-0

Color: Gray (PBT), Black (PCT)

Contact:

Material: Copper Alloy

Plating:

Underplating: 100 μ" [2.54 μm] Nickel - Overall

Wiping Area: 30 μ" [0.76 μm] Gold

Solder Tails: Tin Lead or Matte Tin (See Ordering Information)

Marking: 3M Logo, Part Identification Number and Orientation Triangle

Electrical

Current Rating: 5.00 A, 1 Contact Powered
3.00 A, 6 Contacts Powered
1.75 A, All Contacts Powered
Rating Conditions: EIA-364-070 Method 2, 30°C maximum temperature rise, 20% derated. Reference appropriate 3M Product Specification for detailed current derating curves.

Insulation Resistance: $>1 \times 10^9 \Omega$ at 500 V_{DC}

Withstanding Voltage: 1,000 V_{RMS} at Sea Level

Environmental

Temperature Rating: -55°C to +105°C

Process Rating: High Temp PCT insulator version: 260°C, per J-STD-020C, single pass
PBT insulator version: 191°C, maximum insulator temperature, solder wave process only

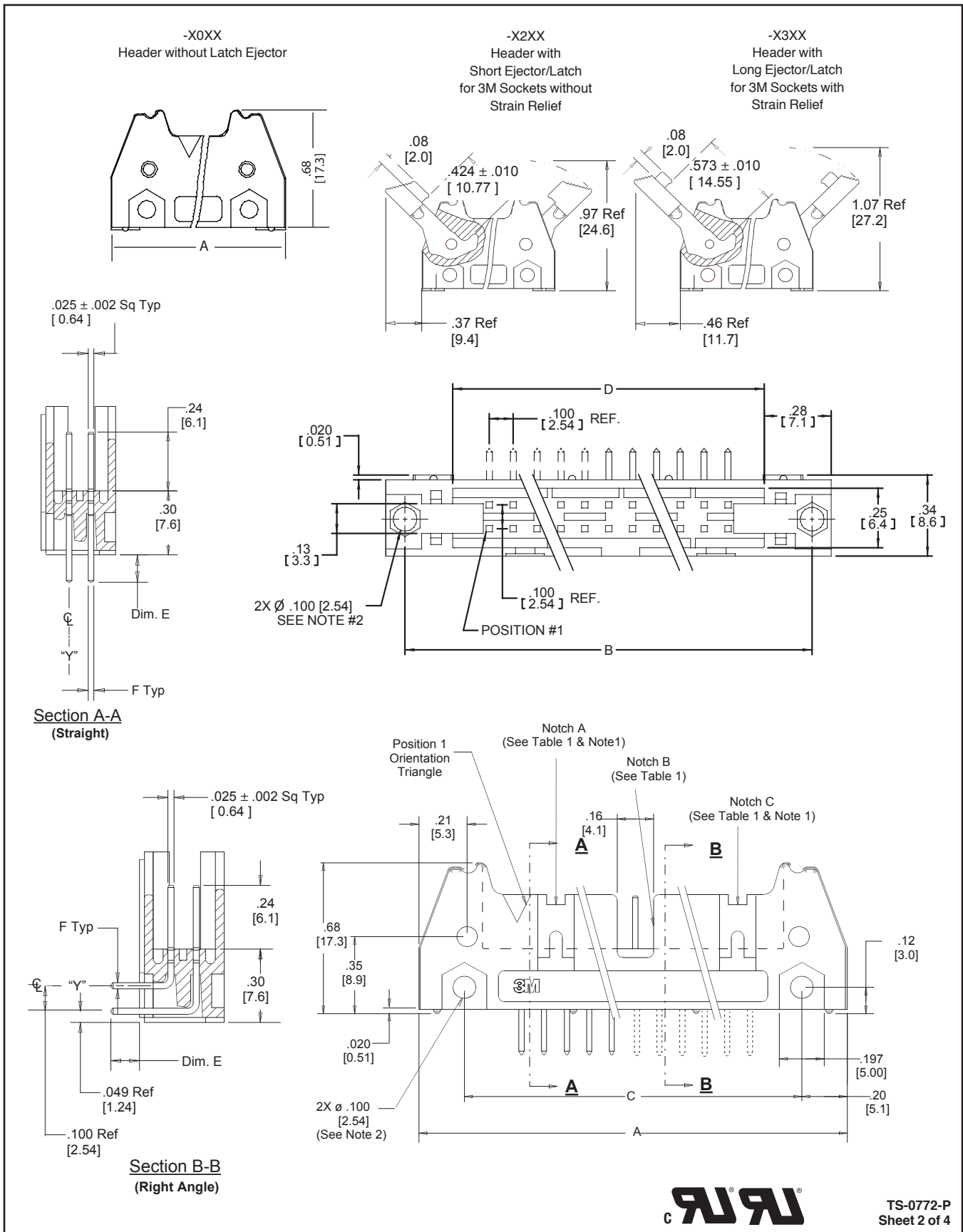
Moisture Sensitivity Level: 1 (per J-STD-020C) High Temp. (PCT) versions only

UL File No.: E68080

3M™ Four-Wall Header

.100" × .100" Latch/Ejector, Straight and Right Angle

3000 Series



3M™ Four-Wall Header

.100" × .100" Latch/Ejector, Straight and Right Angle

3000 Series

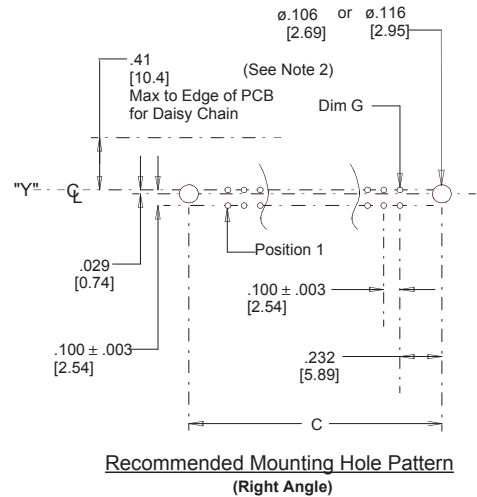
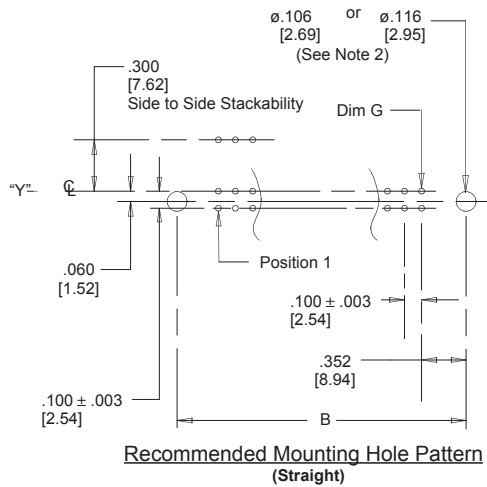
| Pin Qty | 3M Part Number | Dimensions | | | | Polarizing Notches |
|---------|----------------|----------------|---------------|---------------|---------------|--------------------|
| | | A | B | C | D | |
| 06 | 3869 | 1.065 (27.05) | 0.905 (22.99) | 0.665 (16.89) | 0.505 (12.83) | B* |
| 08 | 3889 | 1.165 (29.59) | 1.005 (25.53) | 0.765 (19.43) | 0.605 (15.37) | B* |
| 10 | 3793 | 1.265 (32.13) | 1.105 (28.04) | 0.865 (21.97) | 0.705 (17.91) | BC |
| 14 | 3314 | 1.465 (37.21) | 1.305 (33.12) | 1.065 (27.05) | 0.905 (22.99) | BC |
| 16 | 3408 | 1.565 (39.75) | 1.405 (35.66) | 1.165 (29.59) | 1.005 (25.53) | ABC |
| 20 | 3428 | 1.765 (44.83) | 1.605 (40.74) | 1.365 (34.67) | 1.205 (30.61) | ABC |
| 24 | 3627 | 1.965 (49.91) | 1.805 (45.82) | 1.565 (39.75) | 1.405 (35.69) | ABC |
| 26 | 3429 | 2.065 (52.45) | 1.905 (48.36) | 1.665 (42.29) | 1.505 (38.23) | ABC |
| 30 | 3440 | 2.265 (57.53) | 2.105 (53.44) | 1.865 (47.37) | 1.705 (43.31) | ABC |
| 34 | 3431 | 2.465 (62.61) | 2.305 (58.52) | 2.065 (52.45) | 1.905 (48.39) | ABC |
| 40 | 3432 | 2.765 (70.23) | 2.605 (66.14) | 2.365 (60.07) | 2.205 (56.01) | ABC |
| 50 | 3433 | 3.265 (82.93) | 3.105 (78.84) | 2.865 (72.77) | 2.705 (68.71) | ABC |
| 60 | 3372 | 3.765 (95.63) | 3.605 (91.54) | 3.365 (85.47) | 3.205 (81.41) | ABC |
| 64 | 3764 | 3.965 (100.71) | 3.805 (96.62) | 3.565 (90.55) | 3.405 (86.49) | ABC |

| Inch (mm) | | | |
|------------------------|-----|------|-------|
| Tolerance Unless Noted | | | |
| | .0 | .00 | .000 |
| Inch | ±.1 | ±.01 | ±.005 |

[] Dimensions for Reference only

* Available without center notch B. Contact 3M.

| 3M Part Number Suffix | Contact Tail | Dim E | Pin Cross Section | | | Dim G |
|-----------------------|---|--------------------|-----------------------|--------------------|-------------------|----------------------------------|
| -5XX2 | Solder Tail for .062 (1.57) Thick PC Board | .112 ± .010 (2.84) | Dim F | Diagonals | Corner Radii | 0.035 ± .003 (0.89) (See Note 3) |
| -6XX2 | | | .0245 ± .0005 (0.622) | .028 ± .001 (0.71) | .0075 Ref (0.191) | |
| -5X03 | Solder Tail for 0.94 (2.39) to .125 (3.18) Thick PC Board | .155 ± .010 (3.94) | .0245 ± .0005 (0.622) | .028 ± .001 (0.71) | .0075 Ref (0.191) | 0.035 ± .003 (0.89) |
| -6X03 | | | | | | |



- Notes: 1. Notches A & C will accommodate 3M Polarizing Keys (3M Part #3518 or #N3518).
 2. Mounting hardware: From solder side of pc board use #4-24 thread cutting screw (3M Part # 3341-5) and .116 [2.95] dia mounting hole. For right angle version only, #2-56 bolt and nut (3M Part # 3341-6) with .106 [2.69] dia mounting hole may be used. See illustrations on page 4.
 3. The recommended PCB hole size for the kinked tail positions on the .112 solder tail connector is .035 ± .002. See page 4 for kink position details (K2 version).
 4. Contact your 3M sales representative for custom requirements.

Ordering Information

N = High Temp Black (PCT)/(RB Plating Req'd)
 Blank = Std. Temp Gray (PBT) (Blank or UB Pltg. Req'd.)

X3XXX-XXXXXX

3M Part Number
(See Table 1)

Pin Configuration
 5 = Right Angle Solder Tails
 6 = Straight Solder Tails

Latch/Ejector System
 0 = No Latch/Ejector installed
 2 = Short Roll Pin Latch/Ejectors
 3 = Long, Roll Pin Latch/Ejectors
 5 = Short, Snap-In Latch/Ejectors
 6 = Long, Snap-In Latch/Ejectors

Plating
 RB = 30 μ" [0.76 μm] Gold and 200 μ" [5.08 μm] Matte Tin
 (App. E1 & C1 Apply)
 Blank or UB = 30 μ" (0.76 μm) Gold and 200 μ" [5.08 μm]
 Tin Lead (App. E3 & C2 Apply)

Tail
 02 = for .062 [1.57] thick board
 03 = for .094 to .125 [2.39 to 3.18] thick board
 K2 = kinked for .062 [1.57] thick board

TS-0772-P
 Sheet 3 of 4

3M™ Four-Wall Header

.100" × .100" Latch/Ejector, Straight and Right Angle

3000 Series

Part Customization

This spec sheet details our standard offering.

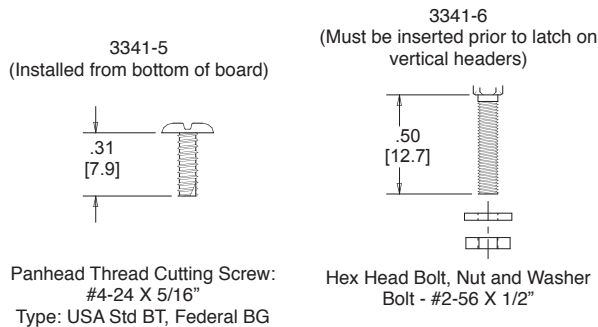
3M has several capabilities that can provide a part tailored to your specific needs. Ask your 3M sales representative or customer service for more details.

Both snap in and roll pin latches may be ordered separately. Snap in and roll style latches are dimensionally and functionally equivalent. If ordering snap-in or roll pin style latches separately, please use the below chart.

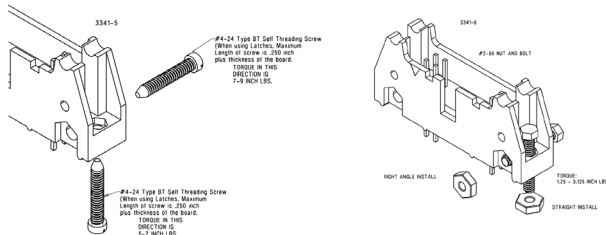
| | Short Latch | Long Latch | Latch Style | Color |
|----------------------------|-------------|------------|-------------|-------|
| Standard Temperature (PBT) | 3505-2 | 3505-3 | Roll Pin | Gray |
| High Temperature (PCT) | N3505-2B | N3505-3B | Roll Pin | Black |
| High Temperature (PBT) | 3505-30 | 3505-31 | Snap-In | Gray |
| High Temperature (PPA) | N3505-30B | N3505-31B | Snap-In | Black |

- Selective pin removal (ATA or other compatibility)
- Wire wrap tails styles

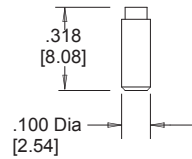
Mounting Hardware



3341-5 & 6
Material - Stainless Steel



Polarizing Post



| | | |
|--------|-----|-------|
| 3201-4 | LCP | Black |
| 3201-5 | PBT | Gray |

Note: Insert Post into one mounting hardware hole on bottom of header. Set post to protrude .115" [2.92].

2500 & 3000 Series Shrouded Header

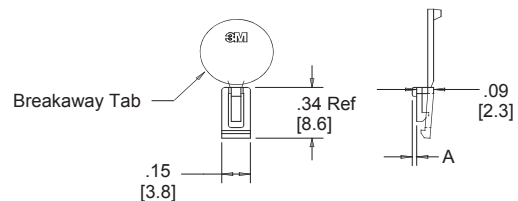
| Total Number of Pins | Number of Tails Kinked | Positions Kinked | | | |
|----------------------|------------------------|------------------|----|----|----|
| | | 3 | 4 | 7 | 8 |
| 10 | 4 | 3 | 4 | 7 | 8 |
| 14 | 4 | 3 | 4 | 11 | 12 |
| 16 | 4 | 3 | 4 | 13 | 14 |
| 20 | 4 | 3 | 4 | 17 | 18 |
| 24 | 4 | 3 | 4 | 21 | 22 |
| 26 | 4 | 3 | 4 | 23 | 24 |
| 30 | 4 | 5 | 6 | 25 | 26 |
| 34 | 4 | 7 | 8 | 27 | 28 |
| 36 | 4 | 7 | 8 | 27 | 28 |
| 40 | 4 | 7 | 8 | 33 | 34 |
| 50 | 4 | 7 | 8 | 43 | 44 |
| 60 | 4 | 11 | 12 | 49 | 50 |
| 64 | 4 | 11 | 12 | 53 | 54 |

Kinked Tail Detail:

Kink is located .05" below bottom surface of plastic.
External radius of kink toward part centerline.

Polarizing Keys

| | | | Dim A |
|-------|-----|-------|-------|
| N3518 | LCP | Black | .02 |
| 3518 | PBT | Gray | .02 |



Note: #2216 B/A Scotchweld can be used to adhere keys.

TS-0772-P
Sheet 4 of 4

3M is a trademark of 3M Company.

Important Notice

All statements, technical information, and recommendations related to 3M's products are based on information believed to be reliable, but the accuracy or completeness is not guaranteed. Before using this product, you must evaluate it and determine if it is suitable for your intended application. You assume all risks and liability associated with such use. Any statements related to the product which are not contained in 3M's current publications, or any contrary statements contained on your purchase order shall have no force or effect unless expressly agreed upon, in writing, by an authorized officer of 3M.

Warranty; Limited Remedy; Limited Liability.

This product will be free from defects in material and manufacture for a period of one (1) year from the time of purchase. **3M MAKES NO OTHER WARRANTIES INCLUDING, BUT NOT LIMITED TO, ANY IMPLIED WARRANTY OF MERCHANTABILITY OR FITNESS FOR A PARTICULAR PURPOSE.** If this product is defective within the warranty period stated above, your exclusive remedy shall be, at 3M's option, to replace or repair the 3M product or refund the purchase price of the 3M product. **Except where prohibited by law, 3M will not be liable for any indirect, special, incidental or consequential loss or damage arising from this 3M product, regardless of the legal theory asserted.**



3M Electronics Solutions Division

6801 River Place Blvd.
Austin, TX 78726-9000
U.S.A.
1-800-225-5373
www.3Mconnectors.com

Please recycle. Printed in USA.
© 3M 2012. All rights reserved.
RIA-2217B-E