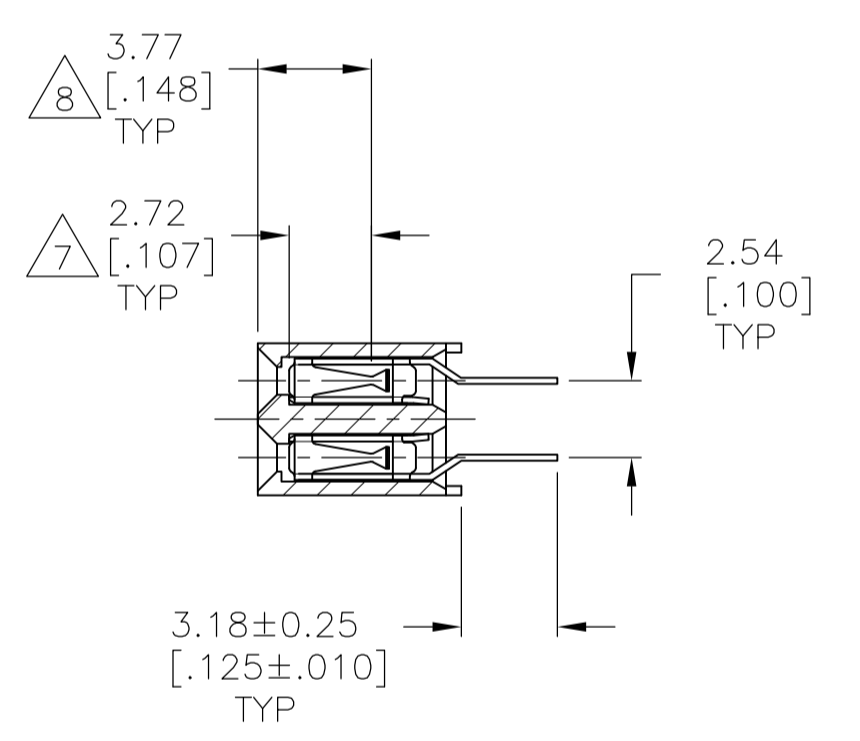
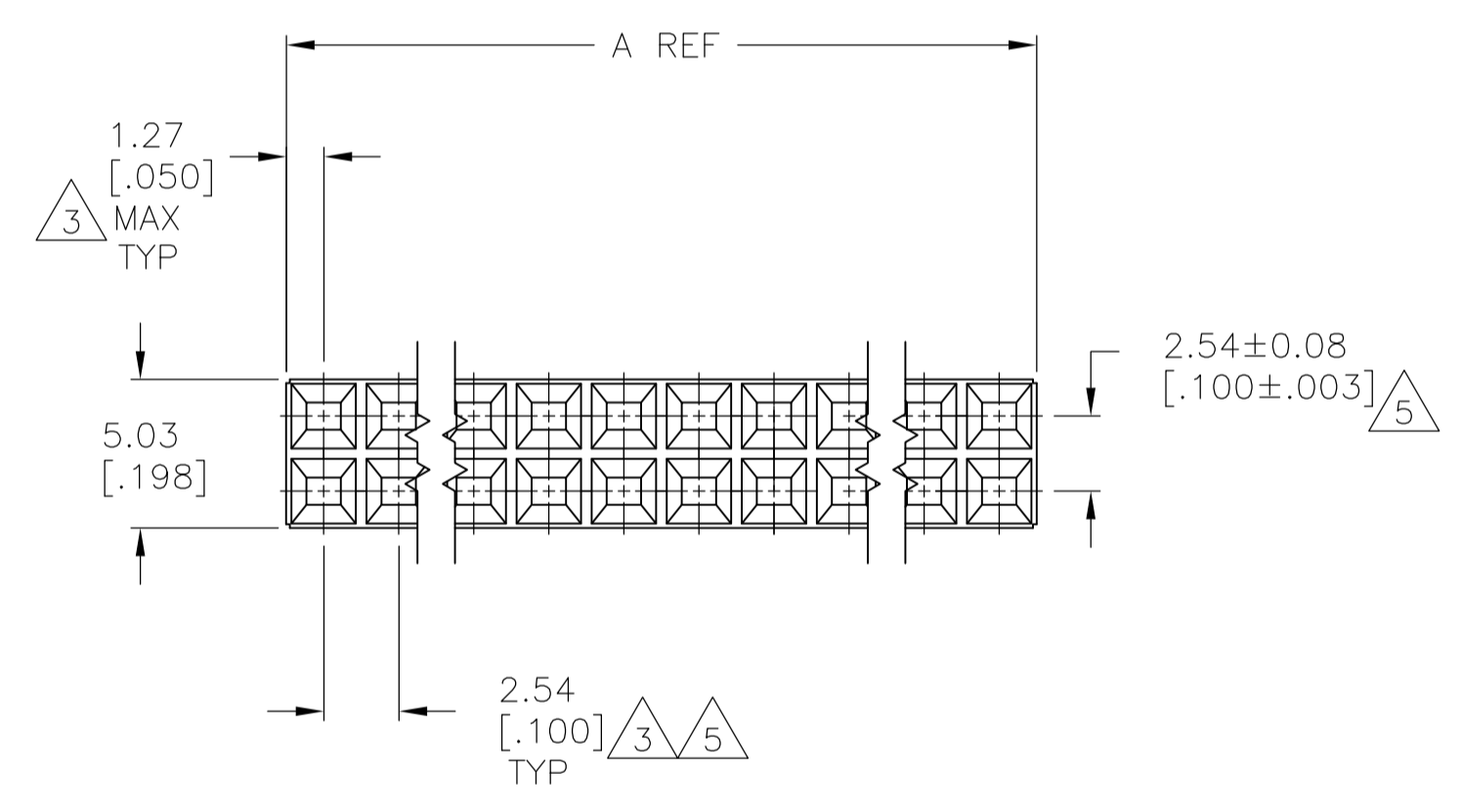


RECOMMENDED PC BOARD HOLE PATTERN
PC BOARD THICKNESS 1.57[.062]



- 1 HOUSING: FLAME RETARDANT, GLASS FILLED, POLYESTER, COLOR: BLACK. CONTACT: PHOSPHOR BRONZE
- 2 CONTACT: DUPLEX PLATED 0.25μm[.000010] MIN GOLD IN CONTACT AREA, 3.81-7.62μm[.000150-.000300] BRIGHT TIN-LEAD ON LEADS, ALL OVER 1.27μm[.000050] NICKEL
- 3 THESE DIMENSIONS PERTAIN TO CAVITY CENTERLINES ONLY - NOT TO CONTACT LOCATIONS
- 4 MARK PART NUMBER AND DATE CODE IN APPROXIMATE LOCATION SHOWN, EITHER SIDE.
- 5 TOLERANCE IS NON-CUMULATIVE.
- 6 2 POSITION DATE CODE IS MARKED OPPOSITE SIDE OF TE CONNECTIVITY LOGO.
- 7 POINT-OF-MEASUREMENT DIMENSION FOR PLATING THICKNESS (INSIDE CONTACT BEAM).
- 8 POINT-OF-CONTACT DIMENSION.
- 9 TE CONNECTIVITY TRADEMARK AND CSA LOGO ARE MOLDED INTO HOUSING, THIS LOCATION.
- 10 NO PART NUMBER MARKING REQUIRED FOR THIS PART.
- 11 CONTACT: DUPLEX PLATED 0.25μm[.000010] MIN GOLD IN CONTACT AREA, 3.81-7.62μm[.000150-.000300] MATTE TIN ON LEADS, ALL OVER 1.27μm[.000050] MIN NICKEL
- 12 ROHS 2002/95/EC COMPLIANT.

LOC	DIST	P	LTR	DATE	DMN	APVD	
12	11			96.52[3.800]	99.06[3.900]	78	9-535598-0
12	11			93.98[3.700]	96.52[3.800]	76	8-535598-9
12	11			91.44[3.600]	93.98[3.700]	74	8-535598-8
12	11			88.90[3.500]	91.44[3.600]	72	8-535598-7
12	11			86.36[3.400]	88.90[3.500]	70	8-535598-6
12	11			83.82[3.300]	86.36[3.400]	68	8-535598-5
12	11			81.28[3.200]	83.82[3.300]	66	8-535598-4
12	11			78.74[3.100]	81.28[3.200]	64	8-535598-3
12	11			76.20[3.000]	78.74[3.100]	62	8-535598-2
12	11			71.12[2.800]	73.66[2.900]	58	8-535598-1
12	11			68.58[2.700]	71.12[2.800]	56	8-535598-0
12	11			66.04[2.600]	68.58[2.700]	54	7-535598-9
12	11			63.50[2.500]	66.04[2.600]	52	7-535598-8
12	11			58.42[2.300]	60.96[2.400]	48	7-535598-7
12	11			55.88[2.200]	58.42[2.300]	46	7-535598-6
12	11			53.34[2.100]	55.88[2.200]	44	7-535598-5
12	11			50.80[2.000]	53.34[2.100]	42	7-535598-4
12	11			99.06[3.900]	101.60[4.000]	80	7-535598-3
12	11			73.66[2.900]	76.20[3.000]	60	7-535598-2
12	11			60.96[2.400]	63.50[2.500]	50	7-535598-1
12	11			48.26[1.900]	50.80[2.000]	40	7-535598-0
12	11			45.72[1.800]	48.26[1.900]	38	6-535598-9
12	11			43.18[1.700]	45.72[1.800]	36	6-535598-8
12	11			40.64[1.600]	43.18[1.700]	34	6-535598-7
12	11			38.10[1.500]	40.64[1.600]	32	6-535598-6
12	11			35.56[1.400]	38.10[1.500]	30	6-535598-5
12	11			33.02[1.300]	35.56[1.400]	28	6-535598-4
12	11			30.48[1.200]	33.02[1.300]	26	6-535598-3
12	11			27.94[1.100]	30.48[1.200]	24	6-535598-2
12	11			25.40[1.000]	27.94[1.100]	22	6-535598-1
12	11			22.86[.900]	25.40[1.000]	20	6-535598-0
12	11			20.32[.800]	22.86[.900]	18	5-535598-9
12	11			17.78[.700]	20.32[.800]	16	5-535598-8
12	11			12.70[.500]	15.24[.600]	12	5-535598-7
12	11			10.16[.400]	12.70[.500]	10	5-535598-6
12	11			7.62[.300]	10.16[.400]	8	5-535598-5
12	11			5.08[.200]	7.62[.300]	6	5-535598-4
12	11			2.54[.100]	5.08[.200]	4	5-535598-3
12	11	10	OBSOLETE	-	2.54[.100]	2	5-535598-2
12	11			15.24[.600]	17.78[.700]	14	5-535598-1
2				96.52[3.800]	99.06[3.900]	78	4-535598-0
2				93.98[3.700]	96.52[3.800]	76	3-535598-9
2				91.44[3.600]	93.98[3.700]	74	3-535598-8
2				88.90[3.500]	91.44[3.600]	72	3-535598-7
2				86.36[3.400]	88.90[3.500]	70	3-535598-6
2				83.82[3.300]	86.36[3.400]	68	3-535598-5
2				81.28[3.200]	83.82[3.300]	66	3-535598-4
2				78.74[3.100]	81.28[3.200]	64	3-535598-3
2				76.20[3.000]	78.74[3.100]	62	3-535598-2
2				71.12[2.800]	73.66[2.900]	58	3-535598-1
2				68.58[2.700]	71.12[2.800]	56	3-535598-0
2				66.04[2.600]	68.58[2.700]	54	2-535598-9
2				63.50[2.500]	66.04[2.600]	52	2-535598-8
2				58.42[2.300]	60.96[2.400]	48	2-535598-7
2				55.88[2.200]	58.42[2.300]	46	2-535598-6
2				53.34[2.100]	55.88[2.200]	44	2-535598-5
2				50.80[2.000]	53.34[2.100]	42	2-535598-4
2				99.06[3.900]	101.60[4.000]	80	2-535598-3
2				73.66[2.900]	76.20[3.000]	60	2-535598-2
2				60.96[2.400]	63.50[2.500]	50	2-535598-1
2				48.26[1.900]	50.80[2.000]	40	2-535598-0
2				45.72[1.800]	48.26[1.900]	38	1-535598-9
2				43.18[1.700]	45.72[1.800]	36	1-535598-8
2				40.64[1.600]	43.18[1.700]	34	1-535598-7
2				38.10[1.500]	40.64[1.600]	32	1-535598-6
2				35.56[1.400]	38.10[1.500]	30	1-535598-5
2				33.02[1.300]	35.56[1.400]	28	1-535598-4
2				30.48[1.200]	33.02[1.300]	26	1-535598-3
2				27.94[1.100]	30.48[1.200]	24	1-535598-2
2				25.40[1.000]	27.94[1.100]	22	1-535598-1
2				22.86[.900]	25.40[1.000]	20	1-535598-0
2				20.32[.800]	22.86[.900]	18	535598-9
2				17.78[.700]	20.32[.800]	16	535598-8
2				12.70[.500]	15.24[.600]	12	535598-7
2	10			10.16[.400]	12.70[.500]	10	535598-6
2	10			7.62[.300]	10.16[.400]	8	535598-5
2	10			5.08[.200]	7.62[.300]	6	535598-4
2	10			2.54[.100]	5.08[.200]	4	535598-3
2	10			-	2.54[.100]	2	535598-2
2				15.24[.600]	17.78[.700]	14	535598-1

THIS DRAWING IS A CONTROLLED DOCUMENT.

DIMENSIONS: mm	TOLERANCES UNLESS OTHERWISE SPECIFIED:	DIN M. BINNER 06NOV2002	APVD J. JOLSON 06NOV02	NAME
0 PLC ± -	1 PLC ± -	2 PLC ± 0.13[.005]	3 PLC ± -	4 PLC ± -
ANGLES ± -				
MATERIAL 1	FINISH 2	WEIGHT -	SIZE A1	CAGE CODE DRAWING NO 00779
CUSTOMER DRAWING		SCALE 1:1	SHEET 1 OF 1	REV P5

RECEPTACLE ASSEMBLY, MOD IV, DOUBLE ROW, DUAL ENTRY, .100X.100CL, VERTICAL MOUNT, AMPMODU

STE TE Connectivity