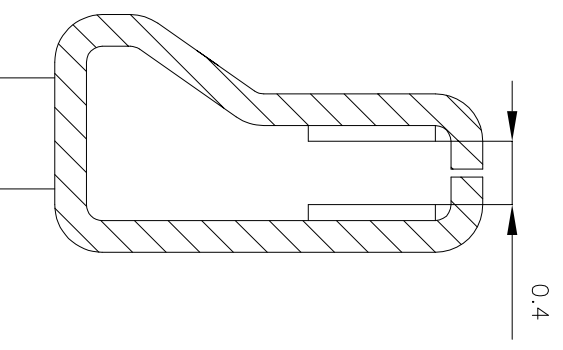
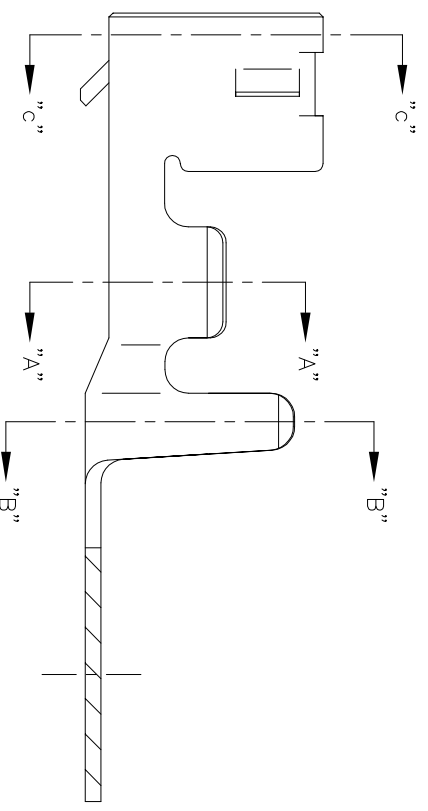
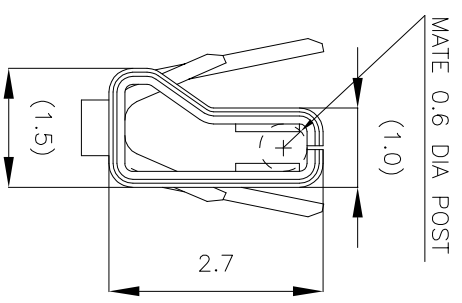
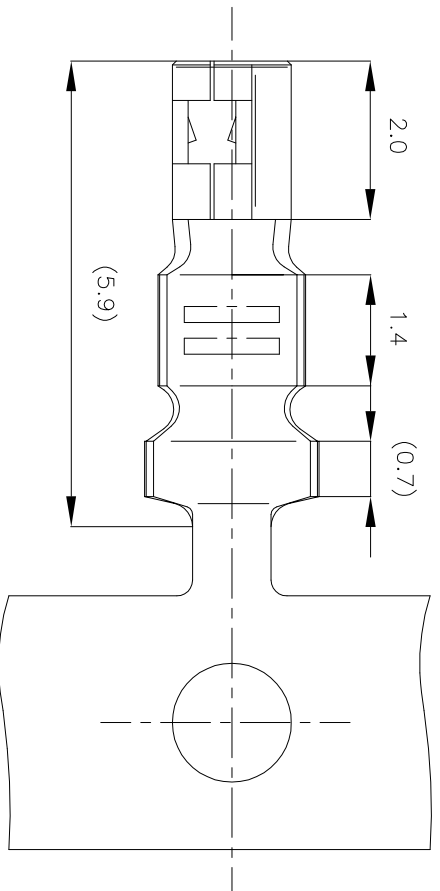
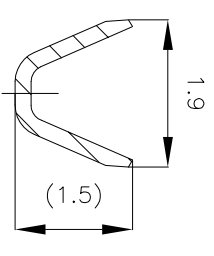


LOC	DIST	REVISIONS		DATE	DMN	APPD
ES	00	P	LTR	DESCRIPTION		
B4		REVISED	PER	ECR-14-003219	10OCT14	T.Q.W.H

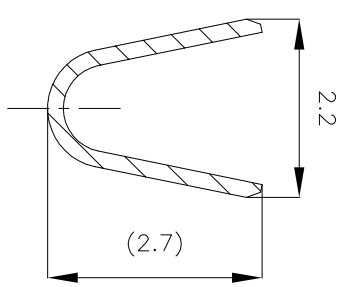


SECT "C"- "C"  
 SCALE 20-1

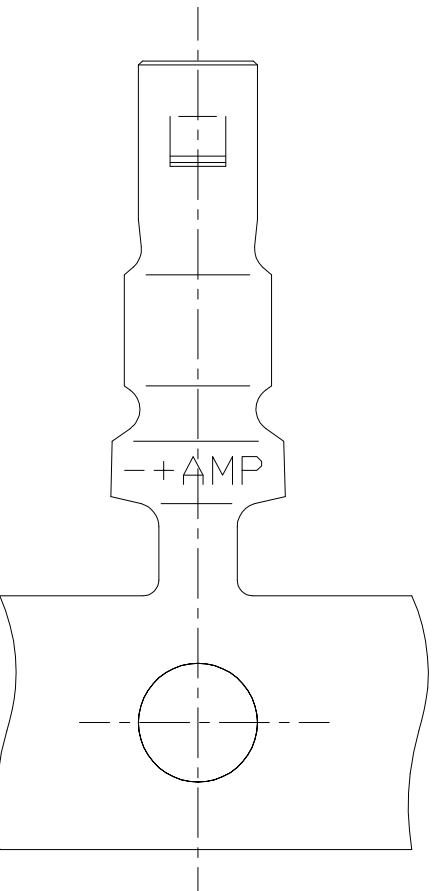
NOTES:  
 1. USE HOUSING: P/N 179228



SECT "A"- "A"



SECT "B"- "B"



GENERAL TOLERANCE

- 0 < \* ≤ 10: ±0.2
- 10 < \* ≤ 30: ±0.25
- 30 < \* ≤ 100: ±0.3
- ANGLES: ±3°

THIS DRAWING IS A CONTROLLED DOCUMENT.

DIMENSIONS:	TOLERANCES UNLESS OTHERWISE SPECIFIED
mm	

MATERIAL	FINISH
SEE TABLE	SEE TABLE

GOLD PLT COPPER ALLOY (0.2t)	179227-4
PRE TINNED COPPER ALLOY (0.2t)	179227-1
MATERIAL & FINISH	PART NO.

DMN	12NOV93	NAME	STE	TE Connectivity
CHK	T. FURUYA			
APD	S. KUBOUCHI			

CRIMP TYPE II RECEPTACLE CONTACT  
 (AMP CT CONNECTOR 2mm PITCH)

PRODUCT SPEC	108-60029	SIZE	A2	CAGE CODE	00779	DRAWING NO	179227	RESTRICTED TO	
APPLICATION SPEC	114-5179	WEIGHT		SCALE	NTS	SHEET	1 OF 1	REV	B4
CUSTOMER DRAWING									

179227