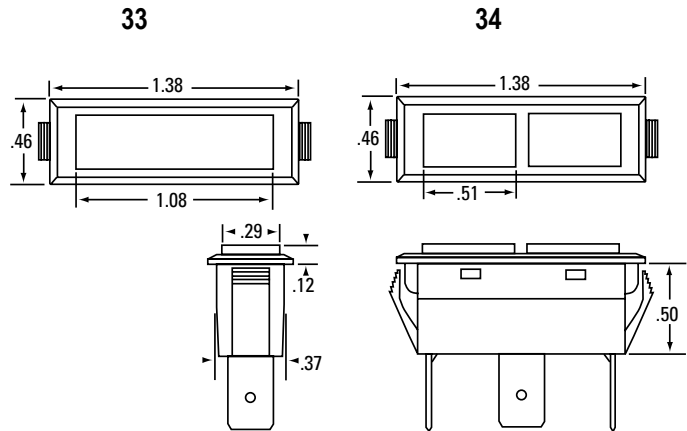


# 33, 34

- Snap fits into .375" x 1.28" panel cutout
- Incandescent and neon illumination
- Many lens styles available
- Dummy (hole plugs) available

## SPECIFICATIONS

Body Material:	Nylon	Wire Strip	1/2"
Lens Material:	Polycarbonate	Panel Thickness:	0.030" to 0.100"
Wire Gauge:	18 ga.	Certifications:	See Page 1



Series		Lamp		Termination		Base		Bezel		Lens			
XX		XX		X		X		X		XXX			
	Voltage	Type	Code	Style	Code	Color	Code	Finish	Code	Style	Code	Color	Plain
33	N/A	DUMMY	00	N/A	0	Matte White	4	None	0	<b>33 Series Lenses</b>		Red	1
34	6	INCAND	32	6" Wire	1	Matte Black	5	Stainless	1	Rectangular Translucent	181	Amber	2
	14	INCAND	35	.187 Tabs	3					Rectangular Plain	182	Clear	3
	28	INCAND	39	.250 Tabs	4					Rectangular Diamond	183	Green	4
				Special	X					Rectangular Frost	184	Blue	5
	125	NEON	50							Rectangular Lines	185	White	6
	250	NEON	52									Black	7
		Special	XX							<b>34 Series Lenses</b>		Color	Marked
										Rectangular Translucent	191	Red	A
										Rectangular Diamond	193	Amber	B
										Rectangular Frost	194	Clear	C
										Rectangular Lines	195	Green	D
												Blue	E
												White	F
											Series		
											33	0	
											34	Repeat selection from lens color choices above	

**White is Translucent  
Clear is Transparent**

### ADDITIONAL OPTIONS AVAILABLE:

Contact Factory