

3M™ Static Shielding Bag SCC 1000

Sizes on Page 2

Static Shielding Bag ~ Metal-In

This transparent, metallized static shield bag provides a static safe environment for sensitive electronic devices. Four layer construction. Polyester dielectric and metal layer provide Faraday effect shielding of ESD and fields. Tribocharging is minimized by the specially processed polyethylene. Flat and zipper closure styles. Coded for QC traceability.



3M Static Shielding Bag SCC 1000 with Open Top

Standards

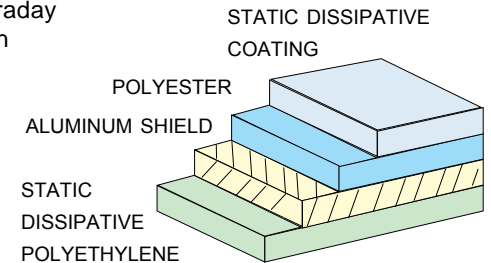
Meets the requirements of MIL-PRF-81705 Type III, EIA 541, EIA 625, MIL-HDBK-263, MIL-STD-1686, and EOS/ESD Standards.

Specifications

| | | | |
|----------------------------------|-------------------------------|----------------|-------------------------------------|
| Electrical Properties: | | Typical Values | |
| Surface Resistivity / Resistance | ASTM D257 | or | ANSI/ESD STM11.11 |
| Interior | <10 ¹² ohms/square | or | <10 ¹¹ ohms |
| Exterior | <10 ¹² ohms/square | or | <10 ¹¹ ohms |
| Metal | 100 ohms | | |
| Static Shielding | < 30 volts | | MIL-PRF-81705, EIA 541 |
| Static Shielding | < 10 nJ | | EOS/ESD S11.31 |
| Static Decay | < 0.05 seconds | | MIL-PRF-81705, FTMS 101 MTH 4046 |
| Charge Generation | | | |
| Teflon | 0.09 nC/sq.in. | | Modified Inclined Plane |
| Quartz | 0.01 nC/sq.in. | | |
| Physical Properties: | | | |
| Tensile Strength | >25 lbs | | ASTM D 882 |
| Seam Strength | Pass | | MIL-PRF-81705 |
| Light Transmission | 40 % | | Tobias |
| Heat Sealing Conditions | | | |
| Temperature | 250 F - 375 F | | |
| Time | 0.5 - 3.5 seconds | | |
| Pressure | 30 - 70 PSI | | |
| Thickness | 3.1 mils | | 3M 008 |
| Outgassing | Pass | | ASTM E595 |
| Non-corrosive | Pass | | FTMS 101 MTH 3005 |

Material Structure

3M Static Shielding Bags SCC 1000 open top and ZipTop are manufactured from industry approved Polyester/Metal/Polyethylene laminates. The polyester dielectric in concert with the metal layer provide Faraday Effect shielding of an Electrostatic Discharge (ESD). The metal layer prevents the penetration of damaging electrostatic fields. Tribocharging is minimized by the specially processed polyethylene.



See 3M Data Sheets for these related items:

- 3M™ Static Warning Labels
- 3M™ Heat Sealer

P R O D U C T D A T A S H E E T

SCC 1000 Static Shielding Bag METAL-IN

| | | |
|-------------------------------------------------------------|-----------------------------------|----------------------------|
| PRODUCT STATIC SHIELDING BAG, OPEN TOP AND ZIPTOP | ITEM NUMBER 100(W")(L") | DATASHEET 1100-A |
|-------------------------------------------------------------|-----------------------------------|----------------------------|

3M Electronic Solutions Division
6801 River Place Blvd.
Austin, TX 78726-9000
US and Canada: **866-722-3736**
Fax: 866-722-3735
Intl: 919-718-0000; Fax: 919-774-8174
email: 3Mstaticinfo@mmm.com; www.3M.com/static

3M is a trademark of 3M Company.
All other trademarks herein are the property of their respective owners.

© 2008



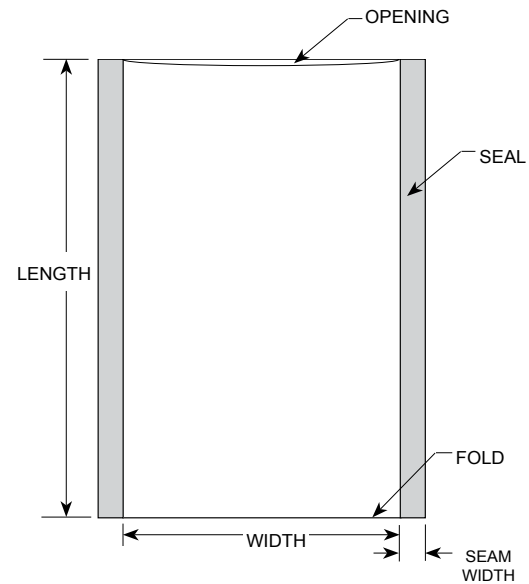
3M™ Static Shielding Bag SCC 1000

Open Top Static Shielding Bag ~ Metal-In

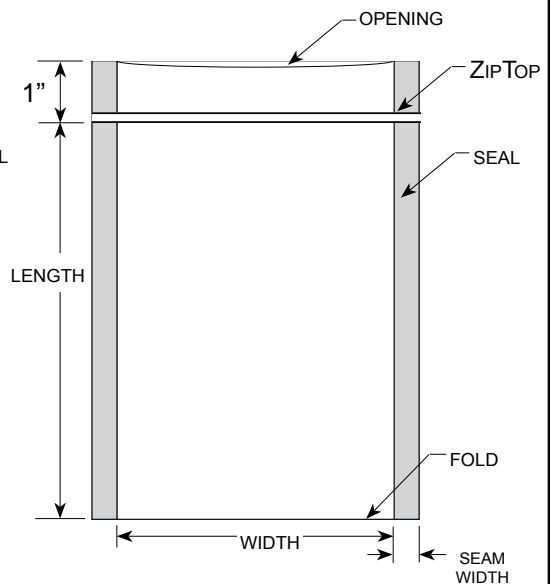
| W"x L" | P/N | W"x L" | P/N | W"x L" | P/N |
|----------|----------|---------|---------|---------|---------|
| 2 x 3 | 10023 | 7 x 8 | 10078 | 12 x 18 | 1001218 |
| 2 x 4 | 10024 | 7 x 10 | 100710 | 12 x 24 | 1001224 |
| 2 x 6 | 10026 | 7 x 11 | 100711 | 12 x 25 | 1001225 |
| 3 x 5 | 10035 | 7 x 15 | 100715 | 12 x 30 | 1001230 |
| 4 x 4 | 10044 | 7 x 16 | 100716 | 14 x 16 | 1001416 |
| 4 x 6 | 10046 | 8 x 8 | 10088 | 14 x 18 | 1001418 |
| 4 x 8 | 10048 | 8 x 10 | 100810 | 14 x 20 | 1001420 |
| 4 x 24 | 100424 | 8 x 12 | 100812 | 14 x 30 | 1001430 |
| 4 x 26 | 100426 | 8 x 14 | 100814 | 15 x 18 | 1001518 |
| 4 x 30 | 100430 | 8 x 16 | 100816 | 16 x 18 | 1001618 |
| 5 x 6 | 10056 | 8 x 18 | 100818 | 16 x 20 | 1001620 |
| 5 x 7 | 10057 | 8 x 24 | 100824 | 16 x 24 | 1001624 |
| 5 x 8 | 10058 | 8 x 30 | 100830 | 16 x 30 | 1001630 |
| 5 x 10 | 100510 | 9 x 12 | 100912 | 18 x 18 | 1001818 |
| 6 x 8 | 10068 | 10 x 12 | 1001012 | 18 x 20 | 1001820 |
| 6 x 9 | 10069 | 10 x 14 | 1001014 | 18 x 24 | 1001824 |
| 6 x 10 | 100610 | 10 x 16 | 1001016 | 18 x 30 | 1001830 |
| 6 x 12 | 100612 | 10 x 18 | 1001018 | 20 x 20 | 1002020 |
| 6 x 14 | 100614 | 10 x 24 | 1001024 | 20 x 24 | 1002024 |
| 6 x 16 | 100616 | 10 x 26 | 1001026 | 22 x 24 | 1002224 |
| 6 x 18 | 100618 | 10 x 30 | 1001030 | 24 x 24 | 1002424 |
| 6 x 24 | 100624 | 11 x 14 | 1001114 | 24 x 30 | 1002430 |
| 6 x 26 | 100626 | 11 x 15 | 1001115 | 24 x 36 | 1002436 |
| 6 x 30 | 100630 | 12 x 12 | 1001212 | 30 x 24 | 1003024 |
| 6.5 x 10 | 1006.510 | 12 x 14 | 1001214 | | |
| 6.5 x 16 | 1006.516 | 12 x 16 | 1001216 | | |

- All standard sizes in-stock/same day shipment.
- Width is measured from inside seam to inside seam.
- Length is measured from the top edge to the bottom fold.
- Opening is in the "width" dimension.
- Custom bag sizes, custom printing, and custom hot stamping are available.
- Most sizes are packed 100 per case.
Small sizes are packed 1000 or 500 per case.

3M Open Top SCC 1000



3M ZipTop SCC 1000



3M ZipTop SCC 1000

Recloseable Static Shielding Bag ~ Metal-In

| W"x L" | P/N | W" x L" | P/N | W" x L" | P/N |
|--------|--------|---------|---------|---------|---------|
| 2 x 3 | 30023 | 6 x 24 | 300624 | 11 x 15 | 3001115 |
| 3 x 3 | 30033 | 6 x 30 | 300630 | 12 x 12 | 3001212 |
| 3 x 5 | 30035 | 7 x 15 | 300715 | 12 x 16 | 3001216 |
| 4 x 4 | 30044 | 8 x 8 | 30088 | 12 x 18 | 3001218 |
| 4 x 6 | 30046 | 8 x 10 | 300810 | 14 x 18 | 3001418 |
| 4 x 8 | 30048 | 8 x 12 | 300812 | 15 x 18 | 3001518 |
| 4 x 24 | 300424 | 9 x 12 | 300912 | 16 x 24 | 3001624 |
| 4 x 30 | 300430 | 10 x 10 | 3001010 | 18 x 18 | 3001818 |
| 5 x 8 | 30058 | 10 x 12 | 3001012 | 18 x 24 | 3001824 |
| 5 x 10 | 300510 | 10 x 14 | 3001014 | 20 x 24 | 3002024 |
| 6 x 8 | 30068 | 10 x 24 | 3001024 | 24 x 24 | 3002424 |
| 6 x 10 | 300610 | 10 x 30 | 3001030 | | |

P R O D U C T D A T A S H E E T

SCC 1000 Static Shielding Bag METAL-IN

| | | |
|-------------------------------------------------------------|-----------------------------------|----------------------------|
| PRODUCT STATIC SHIELDING BAG, OPEN TOP AND ZIPTOP | ITEM NUMBER 100(W")(L") | DATASHEET 1100-A |
|-------------------------------------------------------------|-----------------------------------|----------------------------|

3M Electronic Solutions Division
6801 River Place Blvd.
Austin, TX 78726-9000
US and Canada: **866-722-3736**
Fax: 866-722-3735
Intl: 919-718-0000; Fax: 919-774-8174
email: 3Mstaticinfo@mmm.com; www.3M.com/static

3M is a trademark of 3M Company.
All other trademarks herein are the property of their respective owners.

