

92mm sq.

San Ace 92



General Specifications

- Material Frame: Plastics (Flammability: UL94V-0),
Impeller: Plastics (Flammability: UL94V-1)
- Expected Life Refer to specifications (L10:Survival rate:90% at 60°C ,
rated voltage, and continuously run in a free air state)
- Lead Wire ⊕red ⊖black or blue (Sensor) yellow
- Storage Temperature -30°C to +70°C (Non-condensing)

92×92×32mm (Mass : 170g) **9G type**

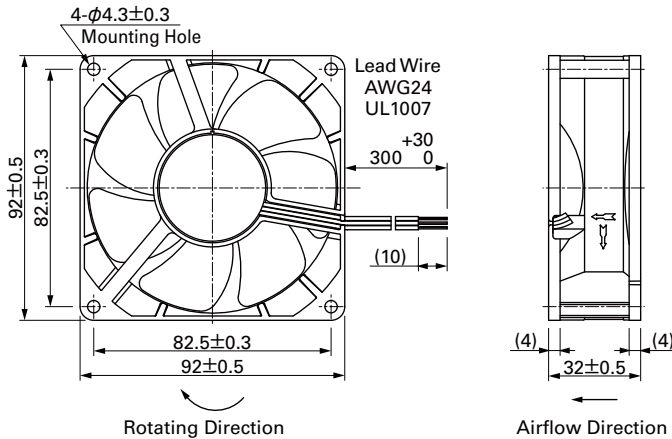
Specifications

The following nos. **have pulse sensors and ribs**. For ribless, append "1" to the model no.

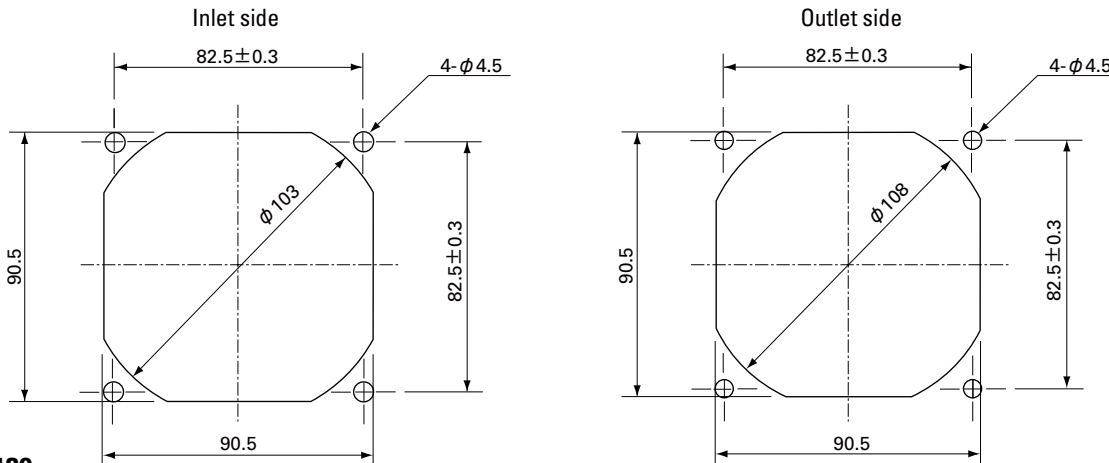
Model No.	Rated Voltage [V]	Operating Voltage Range [V]	Rated Current [A]	Rated Input [W]	Rated Speed [min ⁻¹]	Max. Airflow [m ³ /min] [CFM]	Max. Static Pressure [Pa] [inchH ₂ O]	SPL [dB(A)]	Operating Temperature [°C]	Expected Life [h]
9G0912A201	12	10.2 to 13.8	0.58	6.96	4,300	2.50 88.3	115 0.462	44	-20 to +70	40,000/60°C
9G0912S201			0.38	4.56	3,500	2.00 70.7	77 0.309	38		
9G0912H201			0.23	2.76	2,850	1.59 56.2	51 0.205	32		
9G0912M201			0.13	1.56	2,100	1.20 42.4	27 0.108	25		
9G0924A201	24	20.4 to 27.6	0.30	7.20	4,300	2.50 88.3	115 0.462	44	-20 to +60	
9G0924S201			0.19	4.56	3,500	2.00 70.7	77 0.309	38		
9G0924H201			0.12	2.88	2,850	1.59 56.2	51 0.205	32		
9G0924M201			0.08	1.92	2,100	1.20 42.4	27 0.108	25		
9G0948A201	48	40.8 to 55.2	0.16	7.68	4,300	2.50 88.3	115 0.462	44	-20 to +70	
9G0948S201			0.11	5.28	3,500	2.00 70.7	77 0.309	38		
9G0948H201			0.08	3.84	2,850	1.59 56.2	51 0.205	32		
9G0948M201			0.05	2.40	2,100	1.20 42.4	27 0.108	25		

Models without sensors or with lock sensors are available as options. Please refer to the index (pp. 472 to 473).

Dimensions (unit: mm) (With ribs)



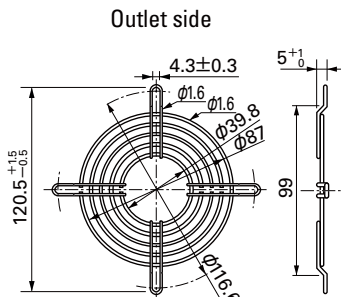
Reference Dimensions of Mounting Holes and Vent Opening (unit: mm)



Options (unit: mm)

Finger Guards

Model : 109-099C Color : Nickel-chrome plating (silver)

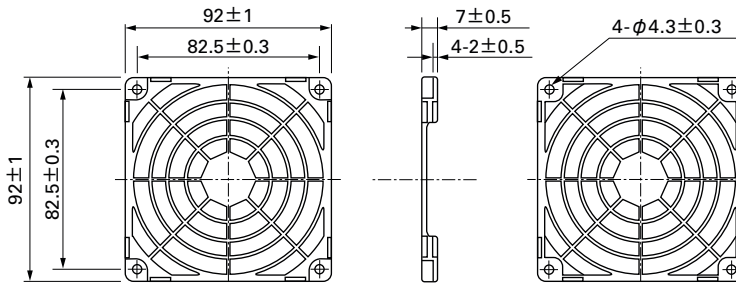


Mass : 22g

Model : 109-099E Surface treatment : Nickel-chrome plating (silver)
: 109-099H : Cation electropainting (black)

Resin Finger Guards

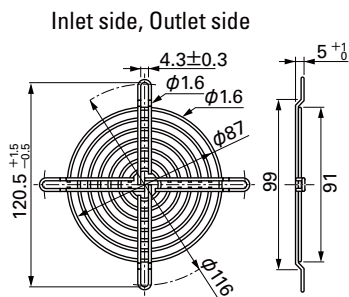
Model : 109-1001G



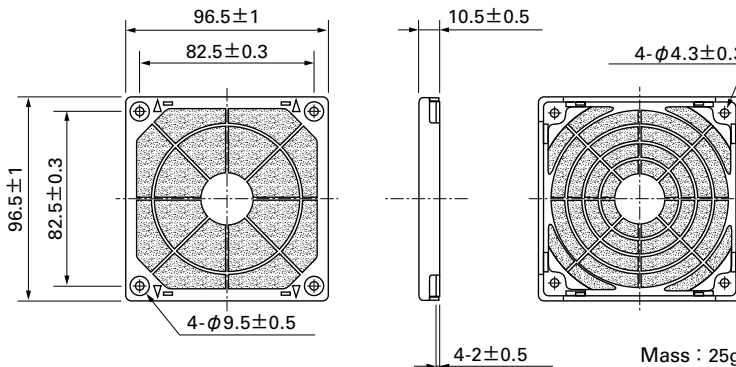
Mass : 12g

Resin Filter Kits

Model : 109-1001F13 (13PPI), 109-1001F20 (20PPI)
: 109-1001F30 (30PPI), 109-1001F40 (40PPI)

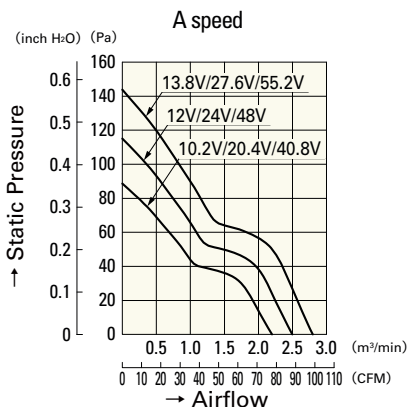


Mass : 29g

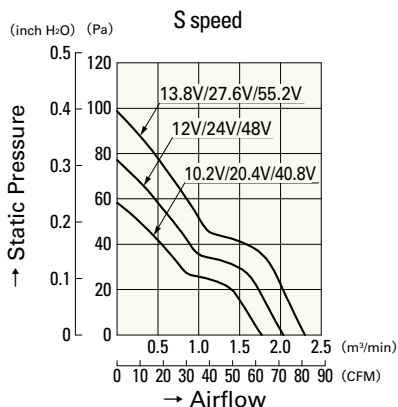


Mass : 25g

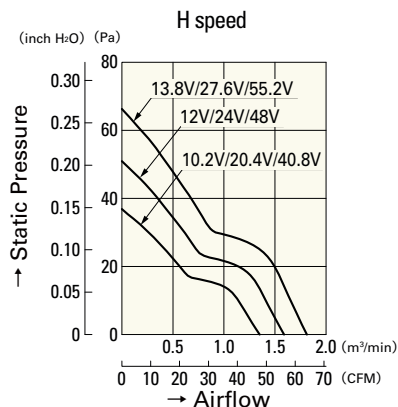
Airflow - Static Pressure Characteristics



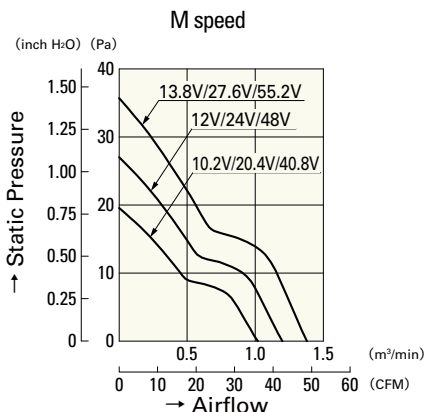
- 9G0912A201
- 9G0924A201
- 9G0948A201



- 9G0912S201
- 9G0924S201
- 9G0948S201



- 9G0912H201
- 9G0924H201
- 9G0948H201



- 9G0912M201
- 9G0924M201
- 9G0948M201

Mouser Electronics

Authorized Distributor

Click to View Pricing, Inventory, Delivery & Lifecycle Information:

Sanyo Denki:

[9G0912H201](#) [9G0912S201](#) [9G0912S2011](#) [9G0948H201](#) [9G0912H2011](#) [9G0948S2011](#) [9G0924S201](#)
[9G0912A201](#) [9G0924A201](#) [9G0912A2011](#) [9G0924H2011](#) [9G0948H2011](#) [9G0924H201](#) [9G0948S201](#) [9G0924M201](#)
[9G0924M2011](#) [9G0924S2011](#) [9G0924A2011](#) [9G0948M2011](#) [9G0948A2011](#) [9G0948M201](#) [9G0948A201](#)
[9G0912M201](#) [9G0912M2011](#)