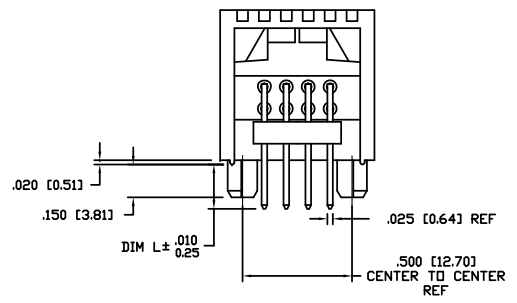
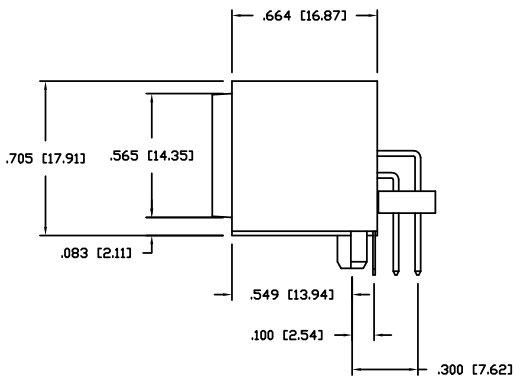
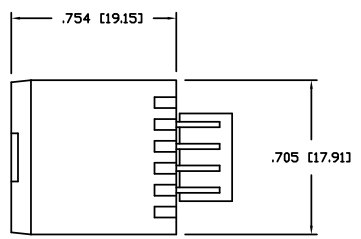


PRODUCT NUMBER
SEE TABLE



mat'l. code		surface ISO 1302 ✓		tolerance ISO 406 ISO 1101		projection INCH/MM		product family LATCH-N-LOK	
tr ecn nodr date		tolerances unless otherwise specified		title		scale 1:1		sheet 1 of 2 size	
P	ELX-N-008458 ZK	11/29/11	angles	2X4 LNL RIGHT ANGLE HDR ASSM. ON .100" CTR.		INCH/MM		A3	
J	M05-0023 MHT	2/18/05	linea	87316		dwg no		sheet 1 of 2 size	
K	M05-0033 ERE	2/25/05	0°±2'	8/9/90		87316		A3	
L	M05-0052 MHT	3/16/05	engr	8/9/90		87316		A3	
M	M06-0365 AGS	9/21/06	chr	8/9/90		87316		A3	
N	M09-0048 MHT	3/12/09	app	8/9/90		87316		A3	
sheet revision		P P		type		Product Customer Drawing		sheet 1 of 2 size	
index sheet		1 2		PDS: Rev :P		STATUS: Released		Printed: Sep 11, 2013	

FCI
FCIconnect.com

Copyright FCI

87316-XYZZLF

LEAD FREE OPTION NOTE 8,9

KEY POSITION

-	STANDARD PROD.	NOTE 7
1	KEY POS. 1	NOTE 6
2	KEY POS. 2	NOTE 6
3	KEY POS. 3	NOTE 6

COLOR NOTE 4

1	70343 LT GRAY	OBS
2	80166 OFF WHITE	
3	70634 DK GRAY	OBS
4	701 BLACK	
5	70511 SLATE GRAY	OBS
7	70455 SILVER GRAY	
8	80189 PEARL WHITE	OBS
9	70419 PEBBLE GRAY	

PLATING ③

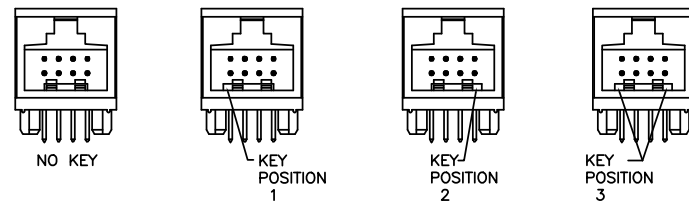
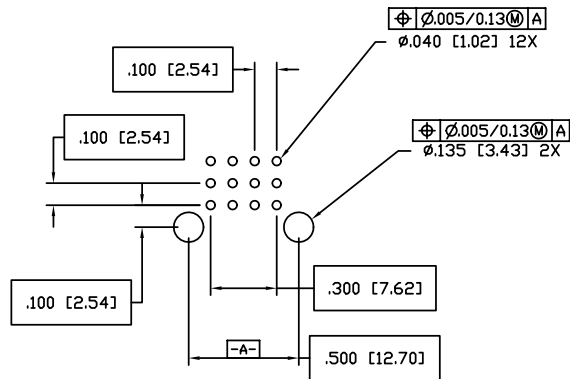
0	30u" MIN OVER 50u"MIN Ni
3	30u" MIN OVER 50u"MIN Ni
5	50u" MIN OVER 50u"MIN Ni

PIN LENGTH KEY

	DIM L	±.010
		±0.25
0	.200	[5.08]
1	.130	[3.30]

NOTES:

- HEADER SHROUD:
HIGH TEMPERATURE THERMOPLASTIC.
UL-94V-0 RATED.
- GROUND CONTACT:
MAT'L: COPPER ALLOY
PLATING: 100-160u"/2.54-4.06 TIN.
- SIGNAL CONTACT:
MAT'L: COPPER ALLOY
PLATING: PERFORMANCE PLATING WILL BE EITHER GOLD OR GXT
ON CONTACT AREA OR TAIL, OPTIONALLY (78-295u") TIN ON TAIL.
- NUMBERS SHOWN ARE FOR G.E. LEXAN AND ARE FOR REFERENCE ONLY
- THIS ASSEMBLY U.L. RECOGNIZED PER FILE E66906VOL. 1, SEC. 19 AND
CSA APPROVED PER MASTER FILE LR46923.
- REQUIRES USE OF LNL PLUG OF SAME KEYED POSITION.
- OMIT 4TH DASH DIGIT IF NO KEY (STANDARD PRODUCT) IS DESIRED.
- ADD LF SUFFIX AT THE END OF PART NUMBER FOR LEAD FREE OPTION.
- THE HOUSING WILL WITHSTAND EXPOSURE TO 260°C PEAK TEMPERATURE
FOR 15 SECONDS IN A WAVE SOLDER APPLICATION WITH A 1.5mm
MINIMUM THICK CIRCUIT BOARD. SEE APPLICATION NOTES/PROCEDURES
IF THEY ARE AVAILABLE.
- HIS PRODUCT MEETS EUROPEAN UNION DIRECTIVES AND OTHER
COUNTRY REGULATION AS DESCRIBED IN GS-22-008.
- RODUCT SPEC: GS-12-003



mat'l. code		surface ISO 1302 ✓	tolerance ISO 406 ISO 1101	projection ISO 1101	product family LATCH-N-LOK
ltr	ecn	nodr	date	title 2X4 LNL RIGHT ANGLE HDR ASSM. ON .100" CTR.	
P		tolerances unless otherwise specified			dwg no
		angles	line	INCH/MM	sheet 2 of 2
		0°±2°	XXX±.01/0.XX±0.3	scale 1:1	size
			XXX±.005/0.XX±0.13	FCI	87316
			XXX±.0020/0.XX±0.05		A3
		dr	S. ROYER 8/9/90		type Product Customer Drawing
		engr	D. HORCHLER 8/9/90		
		chr	D. HORCHLER 8/9/90		
		app	D. HORCHLER 8/9/90		
sheet	revision				
index	sheet				