

THIS DRAWING IS UNPUBLISHED. RELEASED FOR PUBLICATION
 © COPYRIGHT BY TYCO ELECTRONICS CORPORATION. ALL INTERNATIONAL RIGHTS RESERVED.

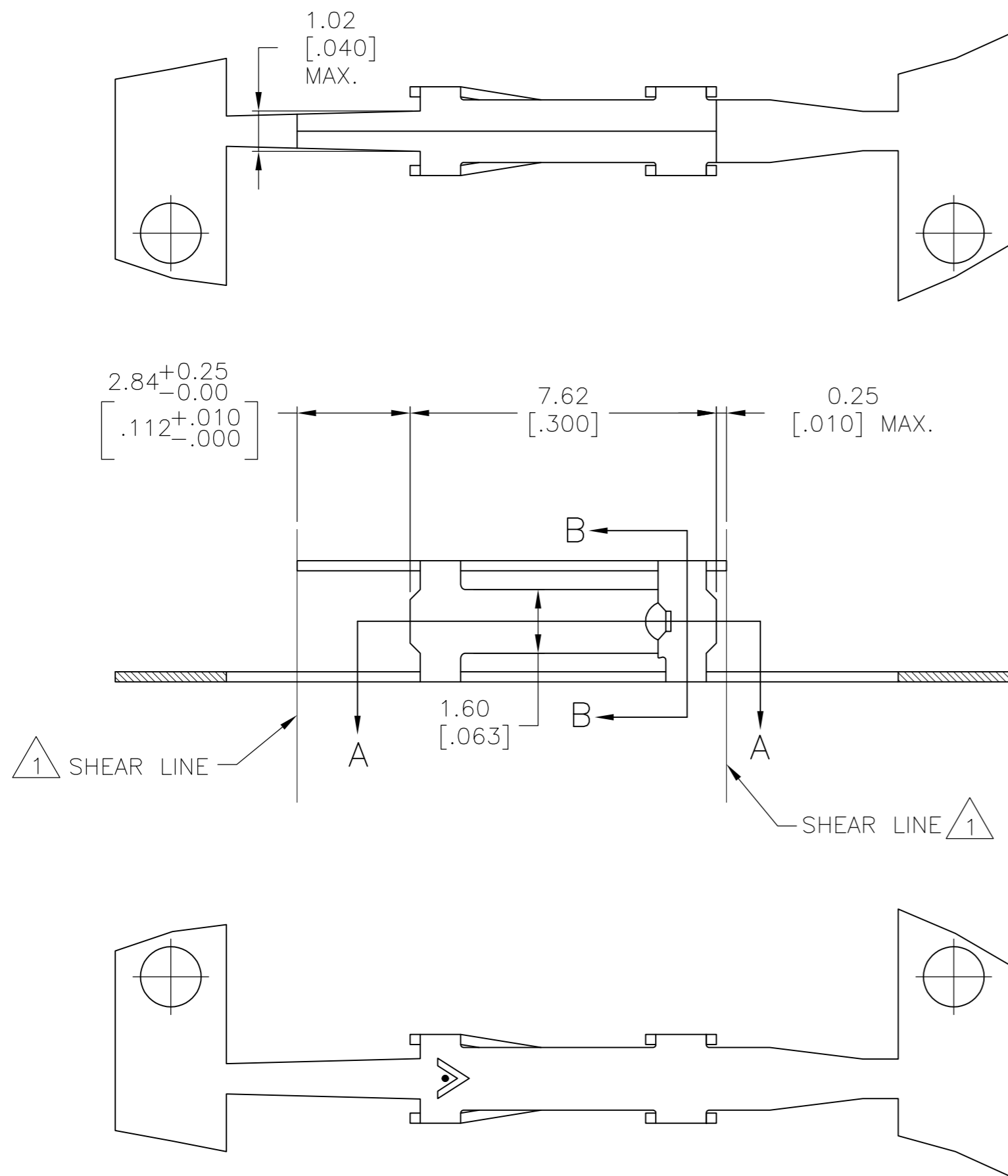
LOC		DIST		REVISIONS			
P	LTR	DESCRIPTION		DATE	DWN	APVD	
G1		REVISED PER ECO-11-005806		22MAR11	HMR	JO	

D

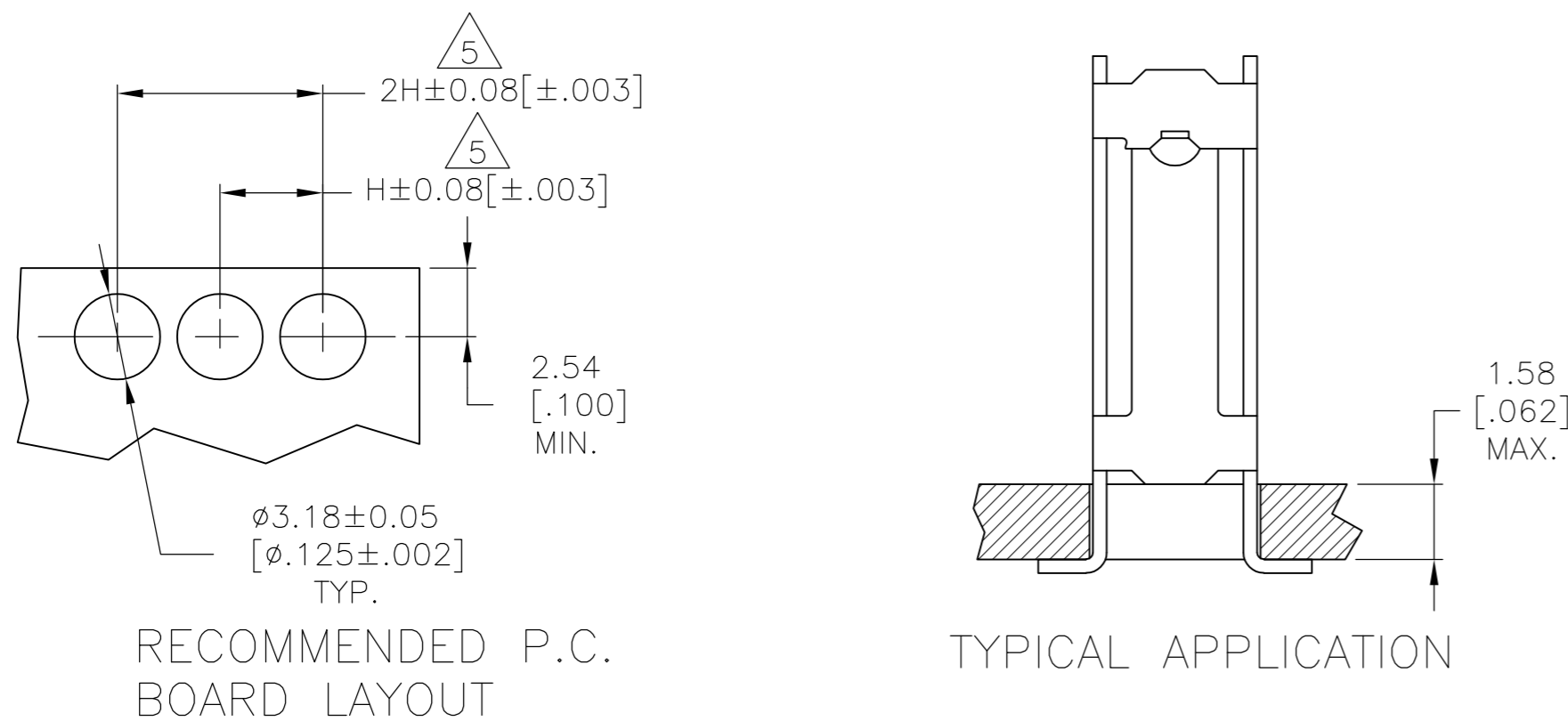
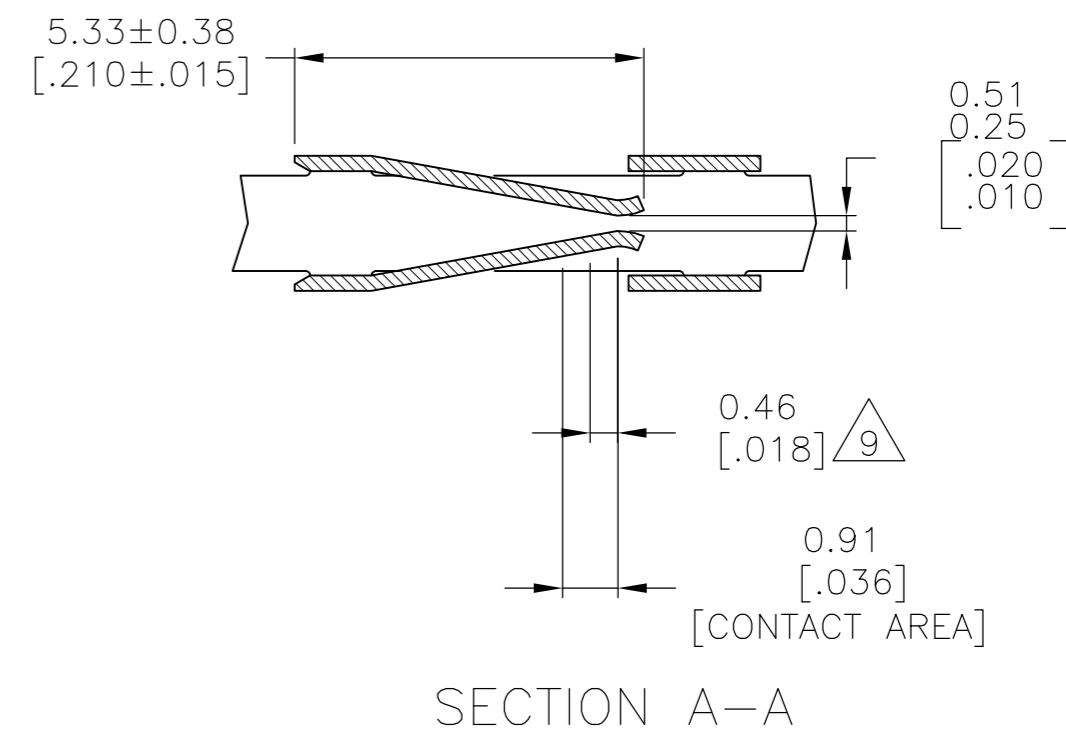
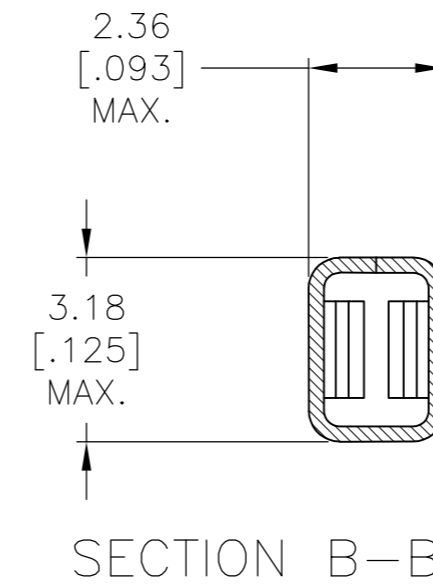
C

B

A



- 1 SHEAR LINES DEFINE LOOSE PIECE PART.
- 2 FOR USE WITH AMPMODU MINIATURE APPLICATOR.
- 3 CONTACT MATERIAL: 0.25[.010] COMMERCIAL PHOSPHOR BRONZE.
- 4 GOLD FLASH OVER 0.00127[.000050] NICKEL ENTIRE CONTACT, 0.00038[.000015] GOLD ON CONTACT AREA
- 5 "H", (RECEPTACLE CENTERS) MAY VARY DEPENDING ON REQUIREMENTS, MINIMUM NOMINAL CENTER SPACING BETWEEN ADJACENT RECEPTACLES IS 3.81±0.08[.150±.003]
- 6 0.00200 [.000079] MIN TIN.
- 7 0.00038[.000015] GOLD IN CONTACT AREA, 0.00254-0.00508[.000100-.000200] BRIGHT TIN-LEAD IN TERMINATION AREA, ALL OVER 0.00127[.000050] NICKEL.
- 8 0.00076[.000030] GOLD IN CONTACT AREA, 0.00254-0.00508[.000100-.000200] BRIGHT TIN-LEAD IN TERMINATION AREA, ALL OVER 0.00127[.000050] NICKEL.
- 9 POINT OF MEASUREMENT FOR PLATING THICKNESS.



	-	6	3	87316-7
OBSOLETE	87509-4	8	3	87316-5
OBSOLETE	87509-3	7	3	87316-4
	87509-2	6	3	87316-3
	-	-	-	-
OBSOLETE	87509-1	4	3	87316-1
	LOOSE PIECE PART NO	FINISH	MATERIAL	PART NUMBER

THIS DRAWING IS A CONTROLLED DOCUMENT.		DWN	E. BRANDBERG	7-14-94	 Tyco Electronics Corporation Harrisburg, PA 17105-3608			
DIMENSIONS: mm [INCHES]		CHK	J. HERRINGTON	7-14-94				
TOLERANCES UNLESS OTHERWISE SPECIFIED:		APVD	J. HERRINGTON	7-14-94				
0 PLC ± - 1 PLC ± - 2 PLC ± - 3 PLC ± 0.13[.005] 4 PLC ± - ANGLES ± -		PRODUCT SPEC	NAME					
MATERIAL	SEE TABLE	APPLICATION SPEC	-		SIZE	CAGE CODE	DRAWING NO	RESTRICTED TO
		WEIGHT	-		A2	00779	C=87316	-
		CUSTOMER DRAWING			SCALE	8:1	SHEET	1 OF 1
					REV	G1		