



The CW Series is a revolutionary Hall effect control wheel providing proportional control in one miniature axis. A spring return device, the CW is available with your choice of linear output options and wheel colors. Ideal applications include joystick, "gamepad", armrest and panel mount integration.



KEY FEATURES

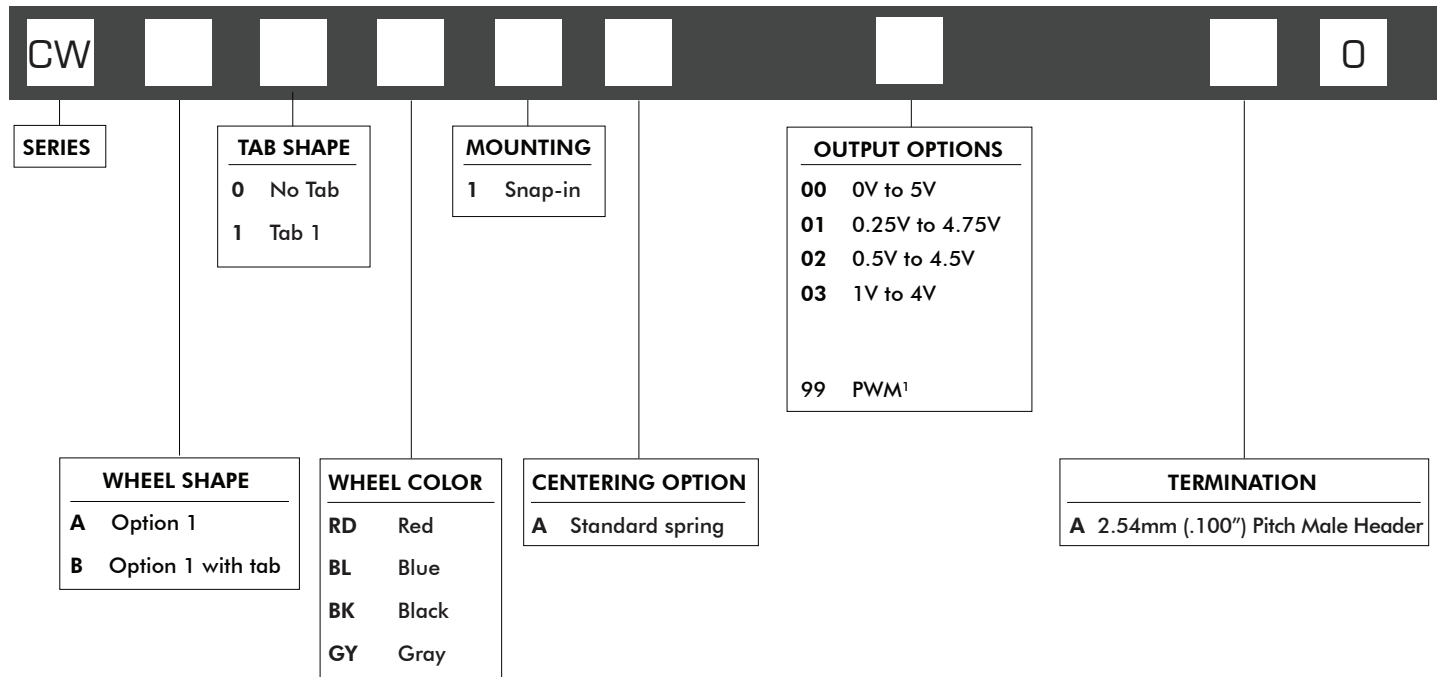
- Miniature design**
- Designed for joystick, armrest and panel mounting**
- Proportional output**
- Self-centering, single-axis actuator**
- Snap-in mounting**



CW series

Proportional miniature control wheel

OPTION SELECTION



1 - Contact factory for PWM configuration

SPECIFICATIONS

MECHANICAL

Mechanical Angle of Movement	-	±45°
Expected Life	-	1 million cycles
Mass / weight	-	18.25g ± 5.0g (0.64oz ± 0.18oz)
Lever Action (Centering)	-	Spring centering

ENVIRONMENTAL

Operating Temperature	-	-40°C to +85°C (-40°F to +185°F)
Storage Temperature	-	-40°C to +85°C (-40°F to +185°F)
Sealing	-	IP68
EMC Immunity Level	-	EN61000-4-3
EMC Emissions Level	-	EN61000-6-3:2001
ESD	-	EN61000-4-2

ELECTRICAL

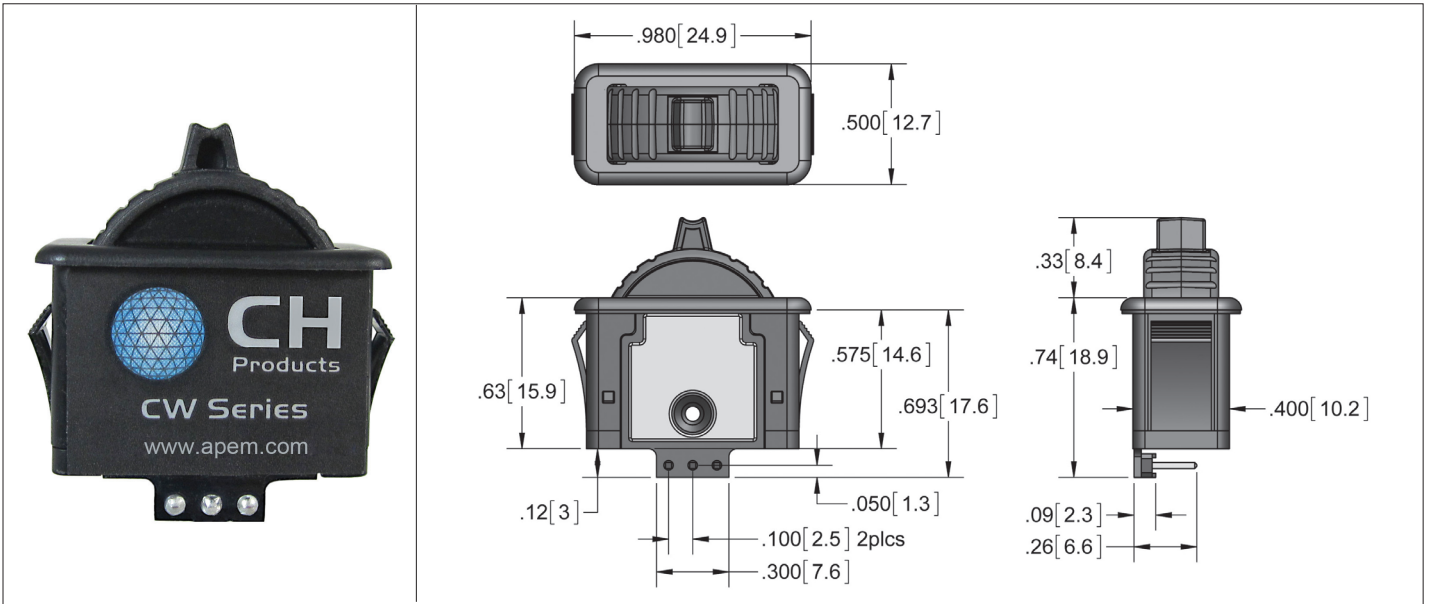
Resolution	-	1.22mV
Supply Voltage Range	-	5.00V ± 0.01V
Reverse Polarity Max	-	-10V
Overshoot Max	-	20V
Output Impedance	-	2Ω
Return to Center Voltage Tolerance	-	± 200mV initial

Note: The company reserves the right to change specifications without notice.

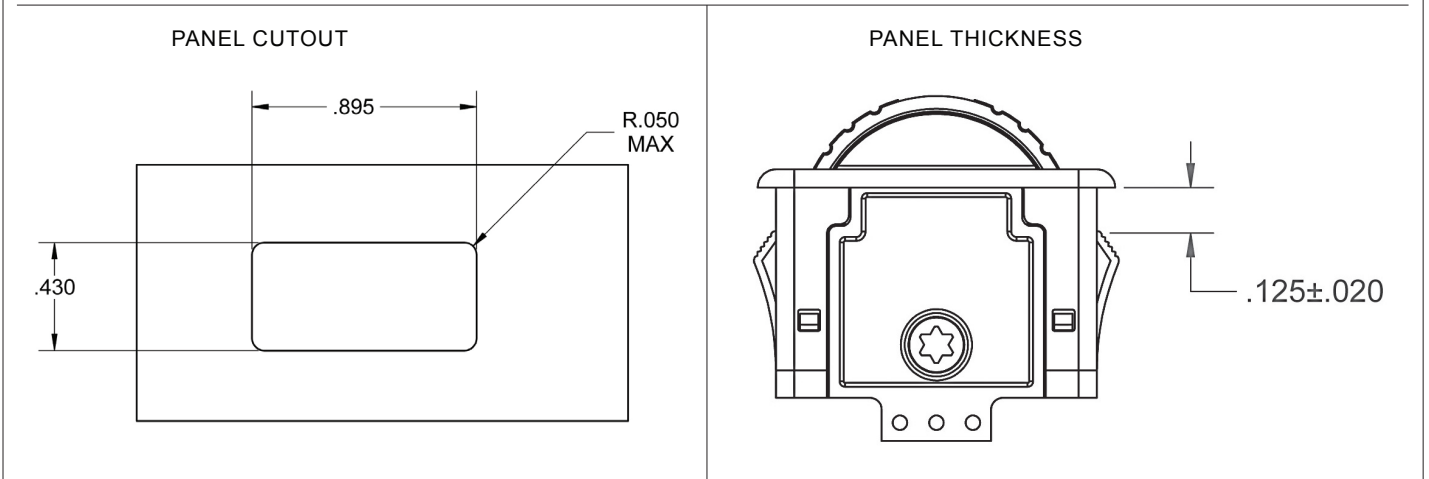
CW series

Proportional miniature control wheel

DIMENSIONAL DRAWINGS



MOUNTING OPTIONS



Note: Dimensions are in inches (mm)

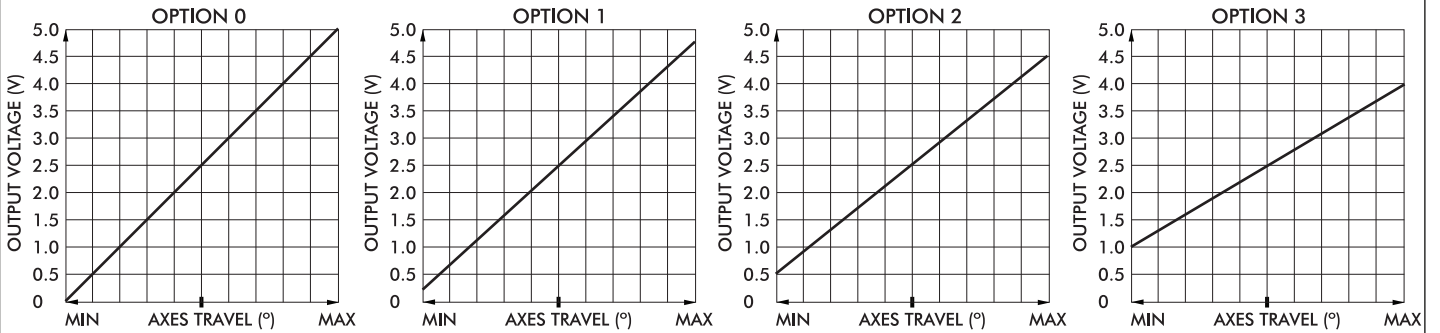
Notes: The company reserves the right to change specifications without notice. The graphs are provided for representational purposes only.

CW series

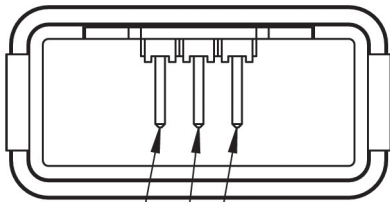
Proportional miniature control wheel

CONFIGURATION OPTIONS

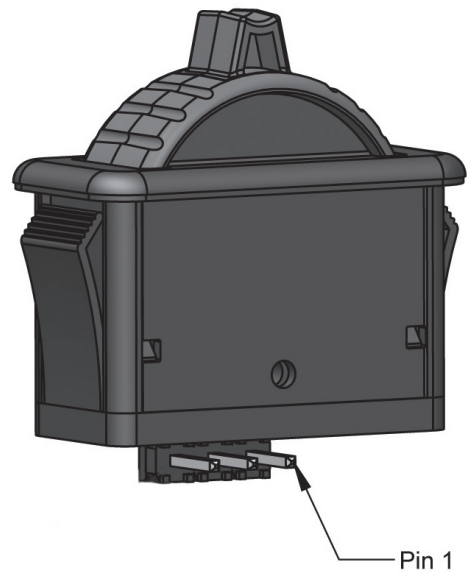
LINEAR OUTPUT OPTIONS



TERMINALS



- Pin 1 - 5V power (RED)
- Pin 2 - Ground (BLACK)
- Pin 3 - Signal (BLUE)



Notes: The company reserves the right to change specifications without notice. The graphs are provided for representational purposes only.