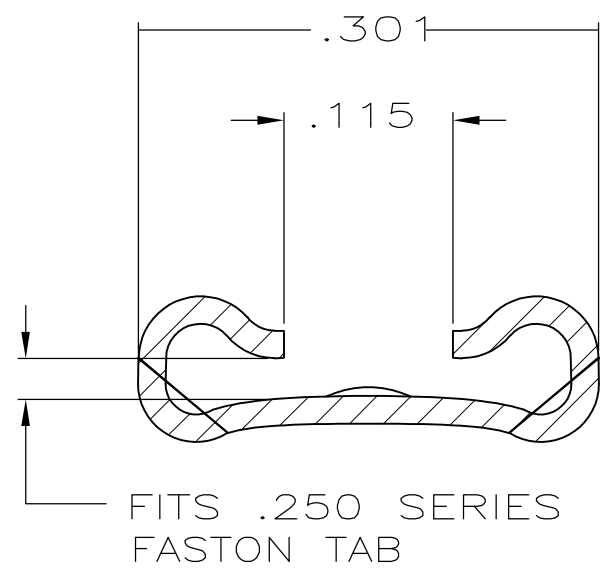
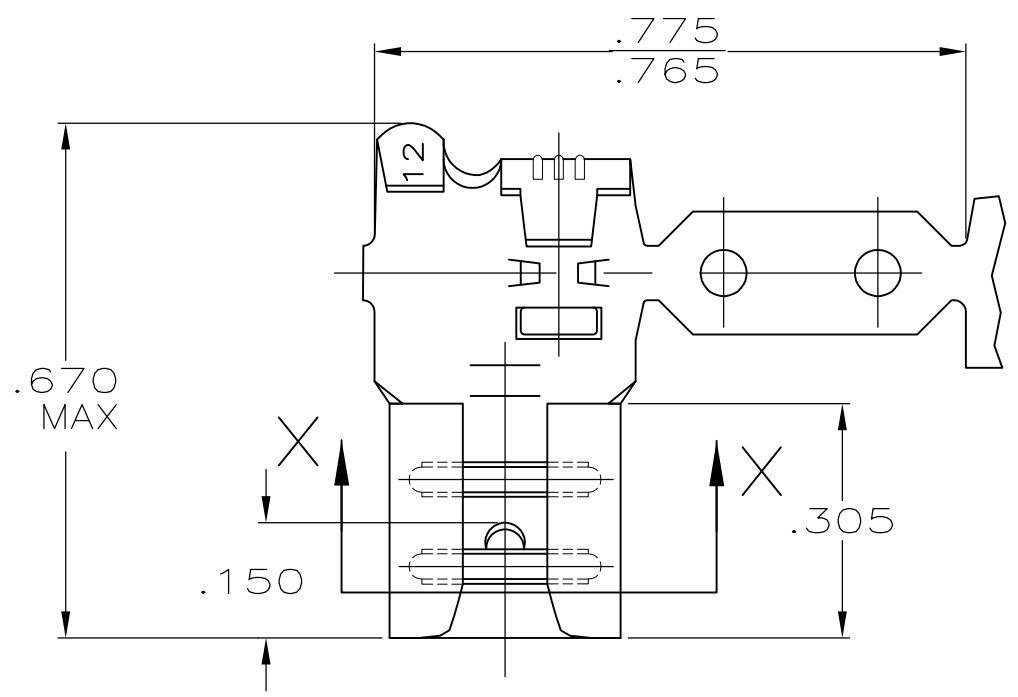


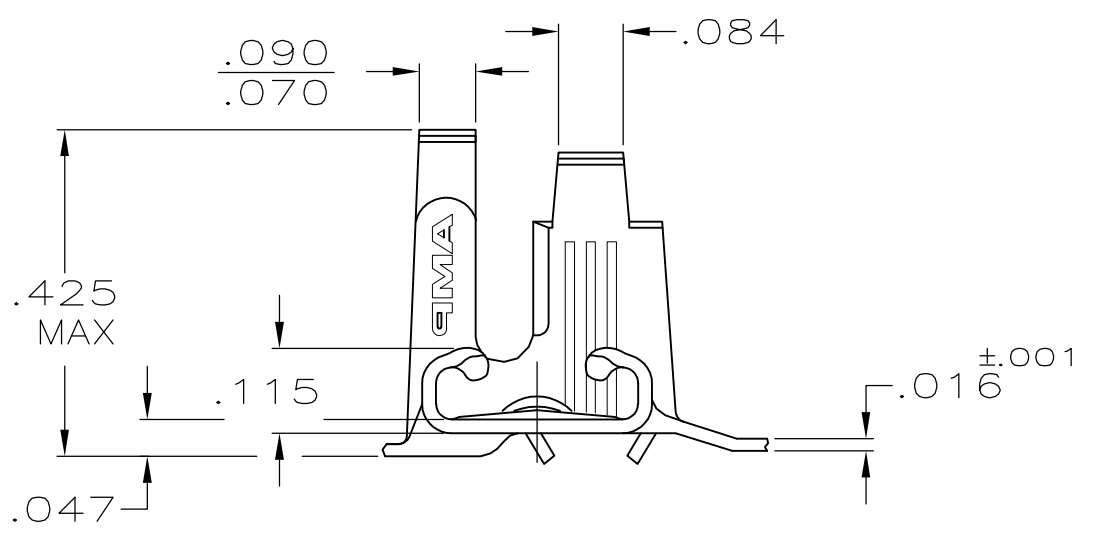
THIS DRAWING IS UNPUBLISHED. RELEASED FOR PUBLICATION
 © COPYRIGHT - By - ALL RIGHTS RESERVED.

LOC	DIST	REVISIONS					
AF	50	P	LTR	DESCRIPTION	DATE	DWN	APVD
		S		REVISED PER ECR-12-013445	09NOV12	KH	PD



SECTION X-X
SCALE 8:1

- 1 CONTINUOUS STRIP ON REELS.
- 2 FOREIGN PRODUCTION ONLY.
- 4 MATING TAB THK IS .032±.001.
- 5 WIRE SIZE IS #18-#12 AWG
- 6 INSULATION RANGE IS .110-.210 DIA.
- 7 PRELIMINARY - NOT FOR PRODUCTION



.000150 MIN NICKEL	T2 STEEL	7 42742-5
PRE-TIN	4M BRASS	2 42742-3
TIN	BRASS	42742-2
-	BRASS	42742-1
FINISH	MATERIAL	PART NO

THIS DRAWING IS A CONTROLLED DOCUMENT.		DWN	JR RUTH	1/23/91	TE Connectivity RECEPTACLE, FASTON,™ FLAG, .250 SERIES								
DIMENSIONS: INCHES		CHK	MS FEHER	1/24/93									
TOLERANCES UNLESS OTHERWISE SPECIFIED:		APVD	J GILLESPIE	1/24/93									
0 PLC ± - 1 PLC ± - 2 PLC ± - 3 PLC ± .015 4 PLC ± - ANGLES ± -		PRODUCT SPEC		NAME									
MATERIAL	BRASS	FINISH	SEE TABLE	WEIGHT	-	SIZE	A3	CAGE CODE	00779	DRAWING NO	C-42742	RESTRICTED TO	-
CUSTOMER DRAWING						SCALE	4:1	SHEET	1 OF 1	REV	S		