

SERIES:

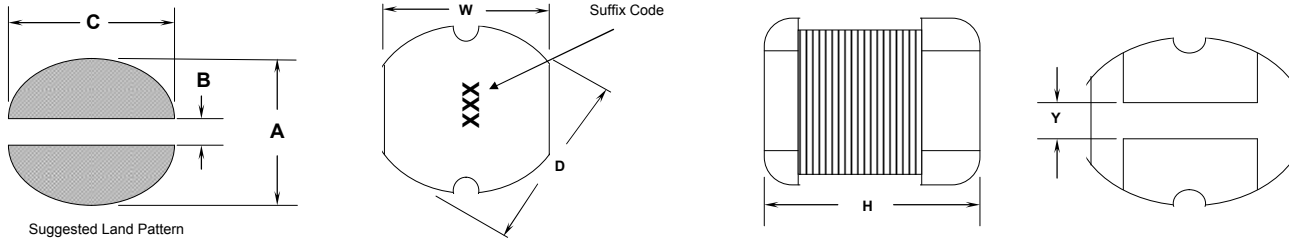
MGDN5



3003 9th Avenue SW
 PO Box 50
 Watertown, SD 57201
 Toll free: 888-978-2638
 Ph: 605-886-3326
 Fax: 605-886-8995



Low Profile, High Current Power Inductors



Series Number	Maximum Dimensions				Reference Dimensions			
	Units	L	W	H	Y	A	B	C
MGDN5	inches	0.406"	0.366"	0.185"	0.114"	0.433"	0.114"	0.366"
	[mm]	[10.30]	[9.30]	[4.70]	[2.90]	[11.00]	[2.90]	[9.30]

Features:

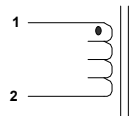
- High energy storage and low resistance
- Reliable surface mounting, flat top for pick and place.
- Smaller real estate than other common inductors.
- Robust temperature deflection to prevent damage during solder reflow.
- Tape and Reel mechanical specifications available upon request.
- Operating Temperature -40°C to +85°C.
- Highly resistive core for EMI suppression applications.

260°C Maximum reflow temperature per J-STD020

Terminal Plating is Hot Dipped SnAgCu

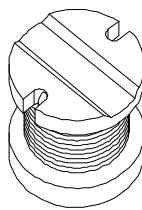
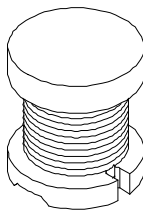


Schematic Diagram



Notes:

- Inductance measured at 100kHz and 250mVrms.
- Isat is a maximum applied AC + DC current.
- Isat current is applied to produce a typical 35% drop in nominal inductance.
- Tolerance suffix of M = ±20%.
- DCR is a maximum at 20°C.

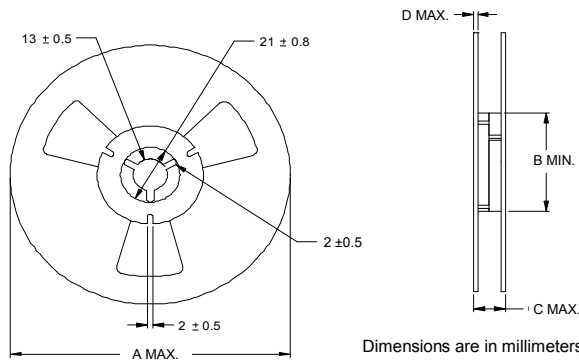


Contact CoEv for additional inductance values

MGDN5				
Lead Free	L	DCR	IsAT	Tolerance
Part Number	µH	Ω	A	Suffix
	1.0			
	1.4			
	1.8			
	2.2			
	2.7			
	3.3			
	3.9			
	4.7			
	5.6			
	6.8			
	8.2			
MGDN5-00001	10	0.05	2.38	M
MGDN5-00002	12	0.06	2.13	M
MGDN5-00003	15	0.07	1.87	M
MGDN5-00004	18	0.08	1.73	M
MGDN5-00005	22	0.09	1.60	M
MGDN5-00006	27	0.10	1.44	M
MGDN5-00007	33	0.12	1.26	M
MGDN5-00008	39	0.15	1.20	M
MGDN5-00009	47	0.17	1.10	M
MGDN5-00010	56	0.20	1.01	K
MGDN5-00011	68	0.22	0.91	K
MGDN5-00012	82	0.25	0.85	K
MGDN5-00013	100	0.34	0.74	K
MGDN5-00014	120	0.40	0.69	K
MGDN5-00015	150	0.54	0.61	K
MGDN5-00016	180	0.62	0.56	K
MGDN5-00017	220	0.72	0.53	K
MGDN5-00018	270	0.95	0.45	K
MGDN5-00019	330	1.10	0.42	K
MGDN5-00020	390	1.24	0.38	K
MGDN5-00021	470	1.53	0.35	K
MGDN5-00022	560	1.90	0.32	K
	680			
	820			
	1000			

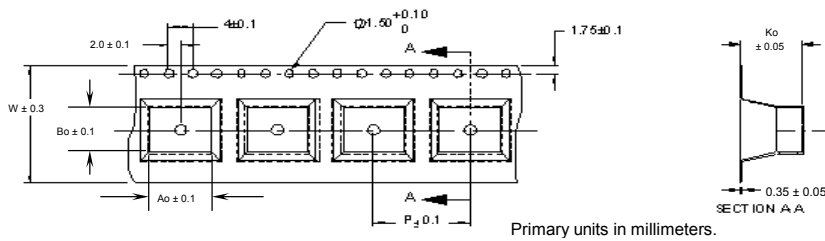
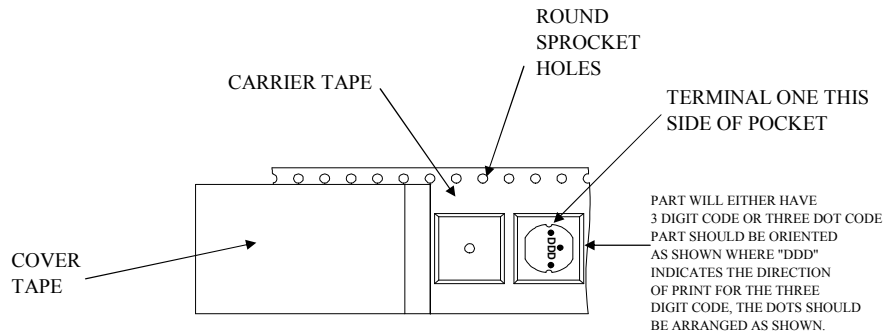
Specifications subject to change

Call Toll Free: 888-978-2638 Website: www.tycopowercomponents.com



Series Number	Reel dimensions				Reel Qty	Carton (Box) Qty.	Packaging Specification	
	Units	A	B	C				D
MGDN5	in.	12.99"	4.02"	1.19"	0.106"	1000	5000	90-0051
	[mm]	[330]	[102.0]	[30.2]	[2.70]			

PACKAGING NOTE: Only pressure sensitive cover tape is to be used.



Series	Ao	Bo	W	P	Ko
MGDN5	9.40	10.40	24.0	12.0	4.80



Customer Packaging Specifications
For Print Distribution to Customers

Series	Revision
MGDN5	A0
Sheet 2 of 3	

Item	Specification	Test Method/Condition
Environmental		
Static Humidity	After exposure part remains within specified electrical parameters for L, Q and DCR.	Expose parts to an environment of +50°C with 90 to 95% R.H. for 100 hours. After exposure, allow parts to dry for 2 hours before measurements are taken.
Storage Life	After exposure part remains within specified electrical parameters for L, Q and DCR.	Subject parts to an environment of +50°C 90 to 100% R.H. for 46 to 50 hours. After exposure, allow parts to dry for 2 hours before measurements are taken.
Moisture Resistance	After exposure, part shall not have a shorted or open winding.	Per MIL-STD 202 Method 106, ten 24 hour cycles at +25°C to +65°C at 80 to 95% R.H. During any of the first 9 cycles, inductors are revolved from the chamber and exposed to -10°C for 3 hours. Allow parts to dry for 2 hours before measurements are taken.
Temperature Cycle	After exposure part remains within specified electrical parameters for L, Q and DCR.	10 cycles (Air to Air) 1 cycle shall consist of: 30 minutes exposure to +85°C 30 minutes exposure to -40°C Allow 20 minutes transition between extremes.
Temperature Shock	After exposure part remains within specified electrical parameters for L, Q and DCR.	10 cycles (Air to Air) 1 cycle shall consist of: 30 minutes exposure to -45°C 30 minutes exposure to +125°C 15 seconds maximum transition between temperatures
General		
Storage Temperature Range	-40°C to +85°C	
Operating Temperature Range	-40°C to +85°C	
Flammability	IEC 695-2-2	Withstands needle-flame test
Other		
Vibration	After exposure part remains within specified electrical parameters for L, Q and DCR.	Inductors shall be randomly vibrated per NAVMAT P9492 profile. Samples shall be subjected to 0.04G/Hz for a minimum of 15 minutes per axis, for each of the three axes.
Mechanical Shock	After exposure part remains within specified electrical parameters for L, Q and DCR.	Test per MIL-STD 202 method 213 test condition A, test mounted samples 3 axes, 6 times, totaling 18 shocks. (50Gs, 11ms, half-sine).
Solderability	Wetting shall cover 90% minimum of each termination	Dip pads in RMA flux, 63/37 solder (Sn/Pb) at 232°C for 5 seconds ±2 seconds.
Component Adhesion (Push Test)	4 pounds	Apply and measure force with a digital force gauge set.
Resistance to Solvent	No sign of degradation in appearance or marking detail.	Withstands 6 minutes of alcohol. Withstands 3 minutes forced spray Freon TMS
Load Life	After exposure, part shall not have a shorted or open winding.	Parts to be stored at 110°C for 1000 hours with rated current applied. Parts to be tested at: start, 500 and 1000 hours. Allow 2 hours at room temperature before testing.



For Print Distribution to Customers	Series	Revision
	MGDN5	A0
	Sheet 3 of 3	