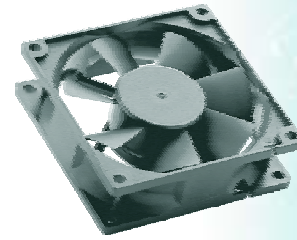




- VDC: 12, 24, 48
- RPM: 900~3900
- CFM: 7.82~42.46
- Impeller: 7 blades

- Rotational direction CCW view from front face
- PBT94V-0 frame and impeller
- AWG 24; UL 1007 lead wires
- Mass:68g



DC FAN 80x80x25.4mm

Specification

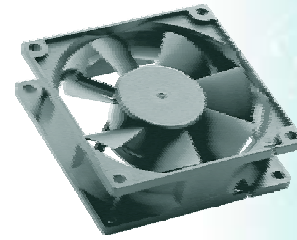
MODEL NO	Bearing ○ Sleeve ● One ball and one sleeve ○ Hydraulic	Voltage (Vdc)	Current (Amp)	Speed (Rpm)	Input Power (Watts)	Air Flow (CFM)	Static Pressure (mm/H ₂ O)	Noise (dB(A))	Weight (Gram)
B8025B12E	●	12	0.05	1450	0.60	16.34	0.95	22.0	68
B8025S12E	○	12	0.05	1450	0.60	16.34	0.95	22.0	68
B8025B12L	●	12	0.10	2050	1.20	22.75	1.98	26.3	68
B8025S12L	○	12	0.10	2050	1.20	22.75	1.98	26.3	68
B8025B12M	●	12	0.15	2450	1.80	29.64	2.85	30.7	68
B8025S12M	○	12	0.15	2450	1.80	29.64	2.85	30.7	68
B8025B12H	●	12	0.20	3000	2.40	36.88	4.21	36.3	68
B8025S12H	○	12	0.20	3000	2.40	36.88	4.21	36.3	68
B8025B24E	●	24	0.06	1450	1.44	16.34	0.95	22.0	68
B8025S24E	○	24	0.06	1450	1.44	16.34	0.95	22.0	68
B8025B24L	●	24	0.06	2050	1.44	22.75	1.98	26.3	68
B8025S24L	○	24	0.06	2050	1.44	22.75	1.98	26.3	68
B8025B24M	●	24	0.08	2450	1.92	29.64	2.85	30.7	68
B8025S24M	○	24	0.08	2450	1.92	29.64	2.85	30.7	68
B8025B24H	●	24	0.14	3000	3.36	36.88	4.21	36.3	68
B8025S24H	○	24	0.14	3000	3.36	36.88	4.21	36.3	68
B8025B48M	●	48	0.08	2450	3.84	29.64	2.85	30.7	68
B8025B48H	●	48	0.13	3000	6.24	36.88	4.21	36.3	68
C8025B12E	●	12	0.05	1450	0.60	16.34	0.95	22.0	68
C8025B12L	●	12	0.09	2050	1.08	22.75	1.98	26.3	68
C8025S12L	○	12	0.09	2050	1.08	22.75	1.98	26.3	68
C8025B12M	●	12	0.12	2450	1.44	29.64	2.85	30.7	68
C8025S12M	○	12	0.12	2450	1.44	29.64	2.85	30.7	68
C8025B12U	●	12	0.35	3500	4.20	42.52	5.47	38.2	68
C8025B24L	●	24	0.05	2050	1.20	22.75	1.98	26.3	68
C8025S24L	○	24	0.05	2050	1.20	22.75	1.98	26.3	68
C8025B24M	●	24	0.06	2450	1.44	29.64	2.85	30.7	68
C8025S24M	○	24	0.07	2450	1.68	29.64	2.85	30.7	68
C8025B24H	●	24	0.10	3000	2.40	36.88	4.21	36.3	68
C8025S24H	○	24	0.10	3000	2.40	36.88	4.21	36.3	68
D8025B12L	●	12	0.09	2050	1.08	22.75	1.98	26.3	68
D8025S12L	○	12	0.09	2050	1.08	22.75	1.98	26.3	68
D8025B12M	●	12	0.12	2450	1.44	29.64	2.85	30.7	68
D8025S12M	○	12	0.12	2450	1.44	29.64	2.85	30.7	68
D8025S12U	○	12	0.35	3500	4.20	42.52	5.47	38.2	68
D8025B24L	●	24	0.05	2050	1.20	22.75	1.98	26.3	68
D8025S24L	○	24	0.05	2050	1.20	22.75	1.98	26.3	68
D8025B24M	●	24	0.10	2450	2.40	29.64	2.85	30.7	68
D8025S24M	○	24	0.06	2450	1.44	29.64	2.85	30.7	68
D8025B24H	●	24	0.10	3000	2.40	36.88	4.21	36.3	68
D8025S24H	○	24	0.10	3000	2.40	36.88	4.21	36.3	68
D8025B48H	●	48	0.11	3000	5.28	36.88	4.21	36.3	68
E8025B12H	●	12	0.086~0.16	1200~2600	1.032~1.92	12.62~30.24	0.73~3.25	24.3~31.8	68
F8025B12E	●	12	0.05	1450	0.60	16.34	0.95	22.0	68
F8025S12E	○	12	0.05	1450	0.60	16.34	0.95	22.0	68
F8025B12L	●	12	0.10	2050	1.20	22.75	1.98	26.3	68
F8025S12L	○	12	0.10	2050	1.20	22.75	1.98	26.3	68

Continue



- VDC: 12, 24, 48
- RPM: 900~3900
- CFM: 7.82~42.46
- Impeller: 7 blades

- Rotational direction CCW view from front face
- PBT94V-0 frame and impeller
- AWG 24; UL 1007 lead wires
- Mass:68g

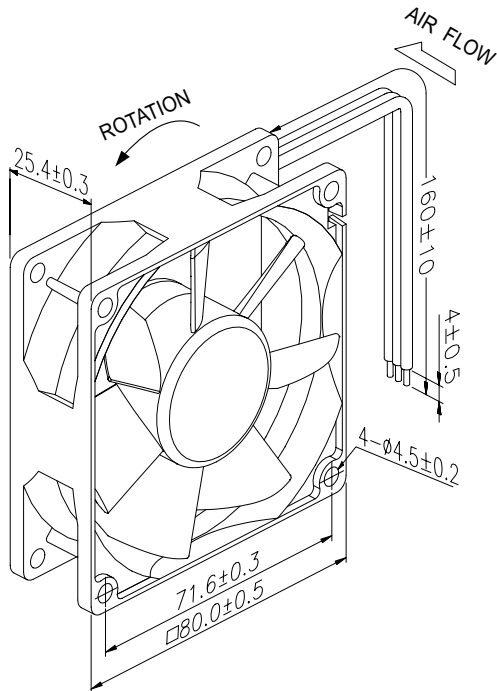


DC FAN 80x80x25.4mm

Specification

MODEL NO	Bearing	Voltage (Vdc)	Current (Amp)	Speed (Rpm)	Input Power (Watts)	Air Flow (CFM)	Static Pressure (mm/H ₂ O)	Noise (dB(A))	Weight (Gram)
	○ Sleeve ● One ball and one sleeve ○ Hydraulic								
F8025B12M	●	12	0.15	2450	1.80	29.64	2.85	30.7	68
F8025S12M	○	12	0.15	2450	1.80	29.64	2.85	30.7	68
F8025B12H	●	12	0.20	3000	2.40	36.88	4.21	36.3	68
F8025S12H	○	12	0.20	3000	2.40	36.88	4.21	36.3	68
F8025B12U	●	12	0.35	3500	4.20	42.52	5.47	38.2	68
F8025B48M	●	48	0.08	2450	3.84	29.64	2.85	30.7	68
F8025B48H	●	48	0.13	3000	6.24	36.88	4.21	36.3	68
P8025B24U	●	24	0.09~0.21	900~3900	2.16~5.04	7.82~42.46	0.27~6.98	21.5~41.8	68

Design specifics subject to change without notice.



STATIC PRESSURE

