


Bus system T-connector - SAC-5P-MINT/2XMIN DN - 1401029

Please be informed that the data shown in this PDF Document is generated from our Online Catalog. Please find the complete data in the user's documentation. Our General Terms of Use for Downloads are valid (<http://download.phoenixcontact.com>)



Bus system T-distributor, 5-pos., DeviceNet, 7/8"-16UNF socket to 7/8"-16UNF socket and 7/8"-16UNF connector

Key commercial data

Packing unit	0
Minimum order quantity	1
Catalog page	Page 406 (PC-2011)
GTIN	 4 046356 542616
Custom tariff number	85444290
Country of origin	GERMANY

Technical data

General data

Number of positions	5
Volume resistance	$\leq 5 \text{ m}\Omega$
Insulation resistance	$\geq 10 \text{ M}\Omega$
Ambient temperature (operation)	-25 °C ... 90 °C (Male connector / female connector)

General characteristics

Surge voltage category	II
Pollution degree	3
Degree of protection	IP67
Contact material	CuZn
Contact surface material	AU
Contact carrier material	PA 66
Material of grip body	TPU
Material, knurls	Zinc die-cast, nickel-plated

Conductor data

Bus system T-connector - SAC-5P-MINT/2XMIN DN - 1401029

Classifications

eclass

eCl@ss 4.0	27060306
eCl@ss 4.1	27060306
eCl@ss 5.0	27061801
eCl@ss 5.1	27061801
eCl@ss 6.0	19070402
eCl@ss 7.0	19070402

etim

ETIM 2.0	EC000830
ETIM 3.0	EC001855
ETIM 4.0	EC000421

unspsc

UNSPSC 6.01	31251501
UNSPSC 7.0901	31251501
UNSPSC 11	31251501
UNSPSC 12.01	31251501
UNSPSC 13.2	31251501

Accessories

Accessories

Marking

Zack Marker strip, flat - ZBF 17:UNBEDRUCKT - 0815020



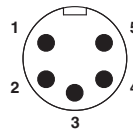
Zack Marker strip, flat, Strip, white, Unlabeled, Can be labeled with: Plotter, Mounting type: Snap into flat marker groove, For terminal block width: 17 mm, Lettering field: 17 x 5.2 mm

Drawings

Dimensioned drawing

T-distributor 7/8", lateral view

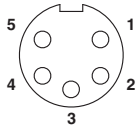
Schematic diagram



Pin assignment, plug, 7/8"-16UNF, 5-pos., view of male side

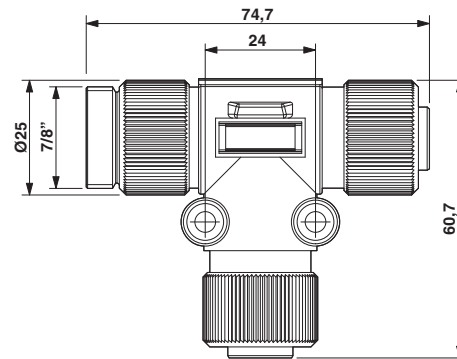
Bus system T-connector - SAC-5P-MINT/2XMIN DN - 1401029

Schematic diagram



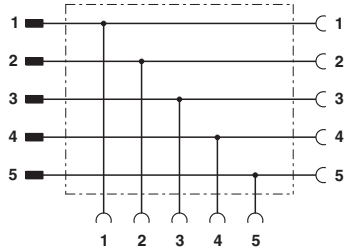
Pin assignment, socket, 7/8"-16UNF, 5-pos., view of female side

Dimensioned drawing



T-distributor 7/8", top view

Circuit diagram



Contact assignment of the 7/8" T-distributor