

* IMAGES SHOWN ON THIS DRAWING REFLECT LIKENESS ONLY. THEY DO NOT ACTUALLY REPRESENT FEATURES INCLUDING, BUT NOT LIMITED TO: LATCHES, HANDLES, AND WHEELS.

R E V I S I O N					
REV.	DRAWN BY	ECO No	DESCRIPTION	DATE	APPROVED
A	M BOYER	DR XXX	PRELIMINARY RELEASE	28-Aug-10	D.C.
B	M BOYER		UPDATED TO AS-BUILT DIMENSIONS	22-Sep-10	D.C.
C	M BOYER		ADD SIZE SCHEDULE	24-Jan-11	D.C.
D	M BOYER		ADD ROLLING CASE ON SHEET 3	01-Feb-11	D.C.
E	M BOYER		UPDATE NOTES	08-Feb-11	D.C.
F	M BOYER		VERIFY SIZE SCHEDULE	16-Feb-11	




Example: SCALE 0.170
#171472 "LARGE DUTY"
(CLOSED)

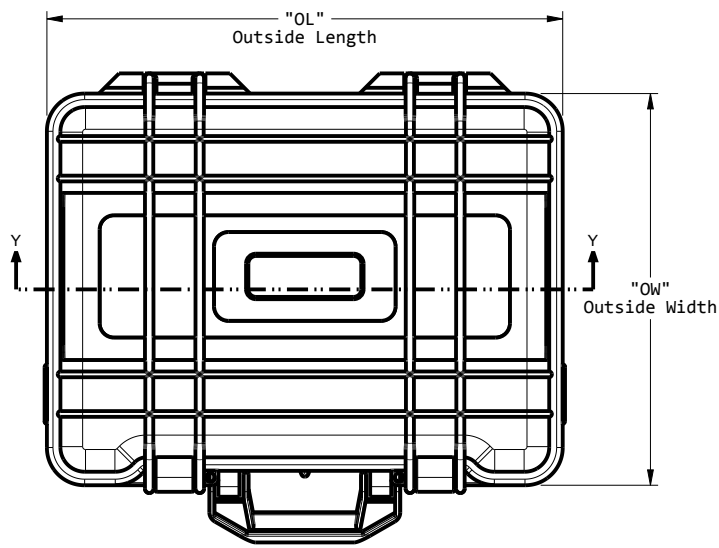


Example: SCALE 0.170
#231690 "COMPACT ROLLING"
(With Foam Removed)

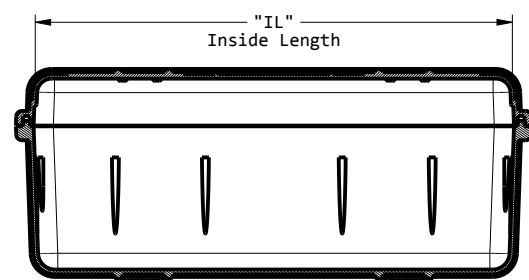
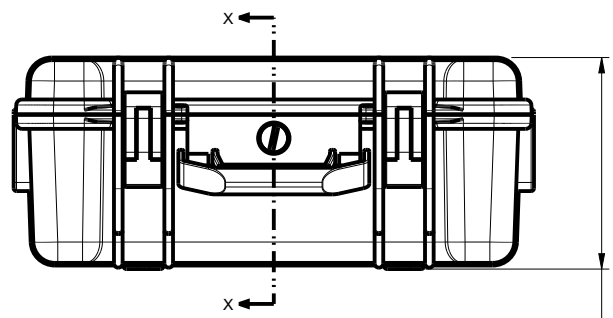
NOTES: UNLESS OTHERWISE SPECIFIED

- CORNERS DRAWN SHARP TO BE R.005 MAXIMUM.
- EXTERIOR SURFACE TEXTURE TO BE EQUIVELANT TO MOLD TECH MT-11235 x 0.002 ▽
- INTERIOR SURFACE TEXTURE TO BE: NONE.
- ALL INSIDE RADII .010R. ALL OUTSIDE RADII .020R MAX, UNLESS OTHERWISE SPECIFIED.
- ALL EXTERNAL DIMENSIONS AFFECTED BY THE DRAFT APPLY AT THE LARGE END OF THE FEATURE, AND ALL INTERNAL FEATURES AFFECTED BY THE DRAFT APPLY AT THE SMALL END OF THE FEATURE UNLESS OTHERWISE SPECIFIED.
- 1 DEGREE DRAFT IN THE DIRECTION OF PULL IS PERMISSIBLE UNLESS OTHERWISE SPECIFIED.
- MATERIAL / COLOR: ABS PLASTIC IS STANDARD IN BLACK OR ORANGE. CUSTOM MATERIALS AND COLORS ARE AVAILABLE UPON REQUEST FOR QUOTE.

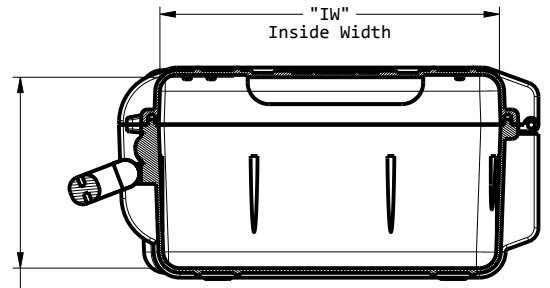
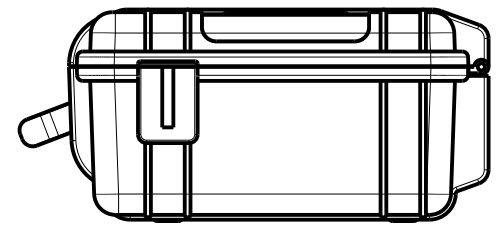
THIRD ANGLE PROJECTION  DO NOT SCALE DRAWING	TOLERANCES: UNLESS OTHERWISE SPECIFIED DIMENSIONS ARE IN U.S. INCHES. X.XX = .025 X.XXXX = .001 X.XXX = .010 X.X" = 1"		NEW AGE ENCLOSURES 4330 Santa Fe Road San Luis Obispo, CA. 93401 ph. (805) 595-1310 fax (805) 595-1024 www.newageenclosures.com	
	NEW AGE ENCLOSURES Customer's Part No: LXA-171472			
NOTICE: THE INFORMATION AND DATA CONTAINED HEREIN IS CONSIDERED PROPRIETARY TO ALLTEC INTEGRATED MFG INC & SHALL REMAIN THE EXCLUSIVE PROPERTY OF ALLTEC INTEGRATED MFG INC. THE HOLDER WILL ASSUME CUSTODY AND CONTROL THAT THIS DOCUMENT WILL NOT BE COPIED, REPRODUCED, OR DISCLOSED WITHOUT THE EXPRESS WRITTEN CONSENT OF ALLTEC INTEGRATED MFG INC. POSSESSION OF THIS DOCUMENT DOES NOT CONSTITUTE A GRANT TO MANUFACTURE ANY ITEMS. <small>© 2011</small>		APPROVAL BY DATE CHECK _____ ENG. _____ SCALE _____	EXTREME INSTRUMENT CASE	
DRAWN BY M BOYER	Aug-28-10	SIZE A DRAWING NAME EXTREMEIC_RF		



SCALE 0.150



SECTION Y-Y



SECTION X-X

"IH"
Inside Height

EXTREME INSTRUMENT CASE SIZES									COLOR(x)		INSERT(z)	
PART NUMBER	SR	DESCRIPTION	OL	OW	OH	IL	IW	IH	Black	Orange	RPD	SI
LxA-886630-z	5	COMPACT I-CASE	8.85"	6.69"	3.34"	8.07"	5.70"	2.75"	3	5		S
LxA-108637-z	10	GENERAL I-CASE	10.82"	8.66"	3.74"	9.84"	7.08"	3.15"	3	5	R	S
LxA-108861-z	20	LARGE I-CASE	10.82"	8.85"	6.10"	9.84"	7.08"	5.51"	3	5	R	S
LxA-141061-z	30	COMPACT DUTY	14.37"	10.43"	6.10"	13.18"	8.26"	5.31"	3	5	R	S
LxA-161264-z	40	GENERAL DUTY	16.41"	12.79"	6.49"	15.15"	10.43"	5.90"	3	5	R	S
LxA-171472-z	50	LARGE DUTY	17.91"	14.37"	7.28"	16.53"	11.81"	6.69"	3	5	R	S
LxA-171412-z	55	COMPACT UTILITY	17.91"	14.37"	12.40"	16.53"	11.81"	11.81"	3		R	S
LxA-191690-z	61	GENERAL UTILITY	19.68"	16.73"	9.05"	18.89"	14.17"	8.26"	3	5	R	S
LxA-261982-z	65	LARGE UTILITY	26.18"	19.48"	8.26"	23.22"	16.53"	7.67"	3		R	S

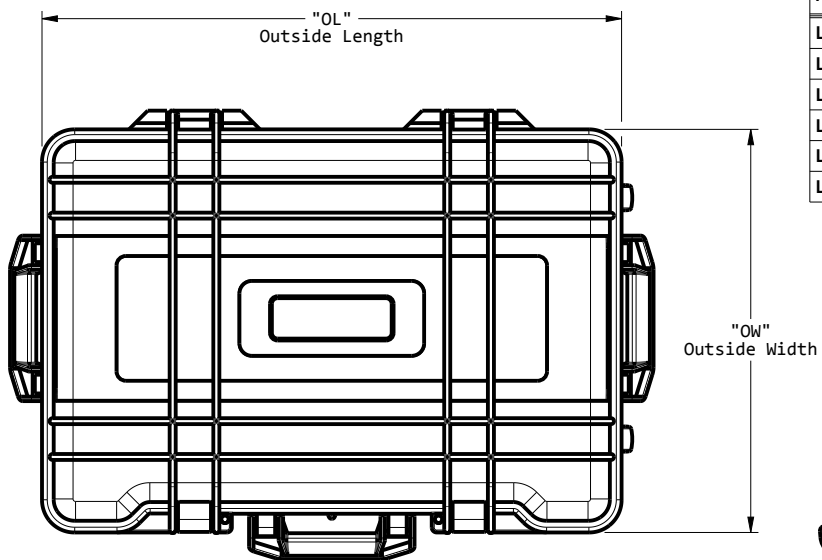
Black = 3
 Saftey Orange = 5
 Reconfigurable Padded Insert = R
 Sponge Insert = S

TOLERANCES: UNLESS OTHERWISE SPECIFIED DIMENSIONS ARE IN U.S. INCHES: X.XX = .015 X.XXXX = .001 X.XXX = .010 X.X" = 1"	
NEW AGE ENCLOSURES	
Customer's Part No: xxx	
APPROVAL	BY DATE
CHECK	
ENG.	
SCALE	
DRAWN BY M BOYER	Aug-28-10

NEW AGE ENCLOSURES
 4330 Santa Fe Road San Luis Obispo, CA. 93401
 ph. (805) 595-1310 fax (805) 595-1024
www.newageenclosures.com

EXTREME INSTRUMENT CASE

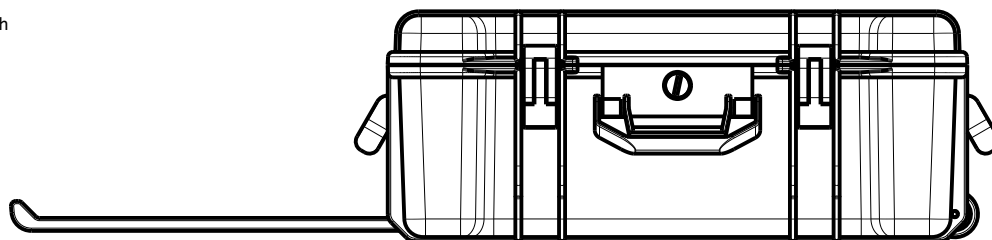
SIZE A	DRAWING NAME EXTREMEIC_RF	SHEET 2 OF 3	REV.DOC F
-----------	------------------------------	-----------------	--------------



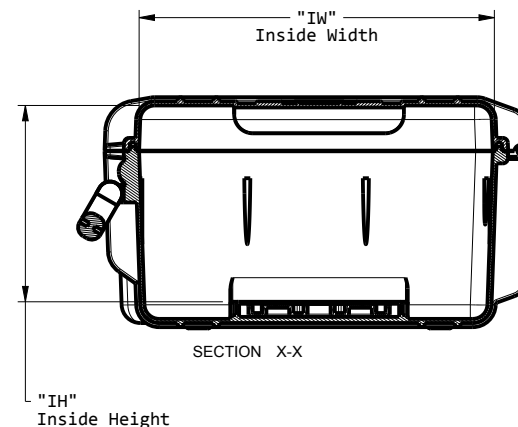
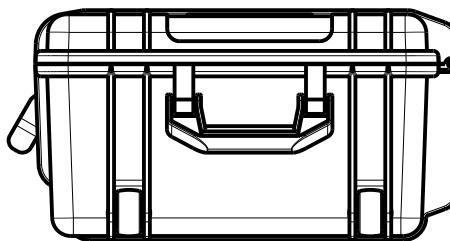
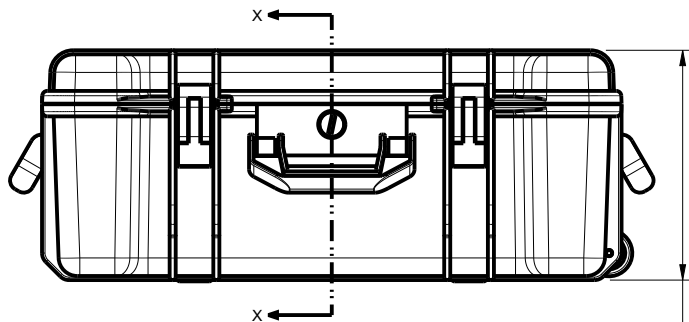
SCALE 0.130

EXTREME INSTRUMENT (ROLLING) CASE SIZES									COLOR(x)		INSERT(z)	
PART NUMBER	SR	DESCRIPTION	OL	OW	OH	IL	IW	IH	Black	Orange	RPD	SI
LxA-231690-z	66	COMPACT ROLLING	23.22"	16.92"	9.05"	21.06"	14.17"	7.67"	3			S
LxA-231611-z	67	GENERAL ROLLING	23.22"	16.92"	11.22"	21.06"	14.17"	9.64"	3		R	S
LxA-261913-z	68	LARGE ROLLING	26.18"	19.68"	13.18"	23.22"	16.73"	11.61"	3		R	S
LxA-291998-z	70	PREMIUM ROLLING	29.72"	19.68"	9.84"	26.57"	16.73"	8.26"	3		R	S
LxA-4716680-z	72	SUPREME ROLLING	47.63"	16.92"	6.88"	45.27"	13.97"	6.10"	3			S
LxA-332416-z	78	ULTIMATE ROLLING	33.07"	24.21"	16.14"	29.72"	21.06"	14.56"	3			S

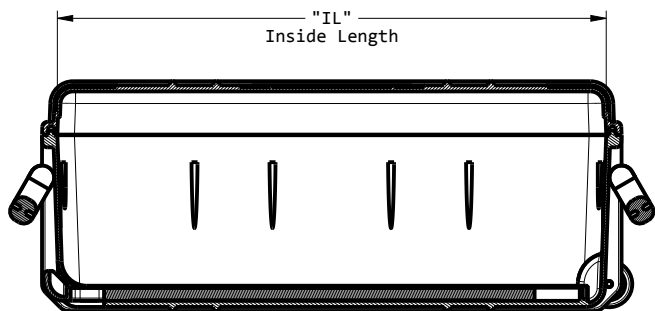
Black = 3
 Safety Orange = 5
 Reconfigurable Padded Insert = R
 Sponge Insert = S



HANDLE EXTENDED
SCALE 0.130



SECTION X-X



SECTION Y-Y

TOLERANCES: UNLESS OTHERWISE SPECIFIED DIMENSIONS ARE IN U.S. INCHES: X.XX = .015 X.XXXX = .001 X.XXX = .010 X.X" = 1"	
NEW AGE ENCLOSURES	
Customer's Part No: XXX	
APPROVAL	BY DATE
CHECK	
ENG.	
SCALE	
DRAWN BY M BOYER	Aug-28-10

NEW AGE ENCLOSURES
 4330 Santa Fe Road San Luis Obispo, CA. 93401
 ph. (805) 595-1310 fax (805) 595-1024
www.newageenclosures.com

EXTREME INSTRUMENT CASE

SIZE A	DRAWING NAME EXTREMEIC_RF	SHEET 3 OF 3	REV.DOC F
-----------	------------------------------	-----------------	--------------