

\*RoHS COMPLIANT



**BOURNS®**

**Features**

- Formerly J. W. Miller® model
- Current rating up to 3.9 A
- Inductance range: 10  $\mu$ H to 1000  $\mu$ H
- Shielded construction
- RoHS compliant\*



This series is obsolete and not recommended for new designs.

**Applications**

- DC/DC converters
- Power supplies
- Desktop notebooks
- Output chokes

**RL110S Series - Radial Lead RF Choke**

**Electrical Specifications (@ 25 °C)**

Part Number	Inductance ( $\mu$ H)	Tol.	Q	Test Frequency		SRF (MHz) Typ.	DCR ( $\Omega$ ) Max.	I dc (A)
				L	Q			
RL110S-100M-RC	10	$\pm 20\%$	50	2.52 MHz	2.52 MHz	32	0.023	3.9
RL110S-120M-RC	12	$\pm 20\%$	50	2.52 MHz	2.52 MHz	26	0.024	3.6
RL110S-150M-RC	15	$\pm 20\%$	50	2.52 MHz	2.52 MHz	23	0.036	3.2
RL110S-180M-RC	18	$\pm 20\%$	50	2.52 MHz	2.52 MHz	20	0.039	2.9
RL110S-220M-RC	22	$\pm 20\%$	50	2.52 MHz	2.52 MHz	14	0.042	2.6
RL110S-270M-RC	27	$\pm 20\%$	40	2.52 MHz	2.52 MHz	12	0.045	2.4
RL110S-330L-RC	33	$\pm 15\%$	40	2.52 MHz	2.52 MHz	10	0.057	2.1
RL110S-390L-RC	39	$\pm 15\%$	40	2.52 MHz	2.52 MHz	8.5	0.076	2.0
RL110S-470L-RC	47	$\pm 15\%$	40	2.52 MHz	2.52 MHz	8.0	0.10	1.8
RL110S-560L-RC	56	$\pm 15\%$	35	2.52 MHz	2.52 MHz	7.5	0.11	1.6
RL110S-680L-RC	68	$\pm 15\%$	35	2.52 MHz	2.52 MHz	6.0	0.15	1.5
RL110S-820L-RC	82	$\pm 15\%$	35	2.52 MHz	2.52 MHz	4.7	0.16	1.4
RL110S-101L-RC	100	$\pm 15\%$	30	1 KHz	0.79 MHz	4.4	0.19	1.2
RL110S-121L-RC	120	$\pm 15\%$	30	1 KHz	0.79 MHz	4.2	0.21	1.1
RL110S-151L-RC	150	$\pm 15\%$	25	1 KHz	0.79 MHz	3.6	0.23	1.0
RL110S-181L-RC	180	$\pm 15\%$	25	1 KHz	0.79 MHz	3.3	0.26	0.92
RL110S-221L-RC	220	$\pm 15\%$	25	1 KHz	0.79 MHz	3.1	0.29	0.83
RL110S-271L-RC	270	$\pm 15\%$	25	1 KHz	0.79 MHz	2.9	0.36	0.75
RL110S-331L-RC	330	$\pm 15\%$	25	1 KHz	0.79 MHz	2.7	0.51	0.68
RL110S-391L-RC	390	$\pm 15\%$	25	1 KHz	0.79 MHz	2.4	0.69	0.62
RL110S-471L-RC	470	$\pm 15\%$	25	1 KHz	0.79 MHz	1.5	0.98	0.57
RL110S-561L-RC	560	$\pm 15\%$	20	1 KHz	0.79 MHz	2.0	1.10	0.52
RL110S-681L-RC	680	$\pm 15\%$	20	1 KHz	0.79 MHz	1.8	1.20	0.47
RL110S-821L-RC	820	$\pm 15\%$	10	1 KHz	0.79 MHz	1.6	1.30	0.43
RL110S-102L-RC	1000	$\pm 15\%$	50	1 KHz	0.25 MHz	1.5	1.50	0.39

**General Specifications**

Rated Current..... Inductance drop 10 %, or 40 °C temperature rise at I dc  
 Operating Temperature ..... -30 °C to +100 °C  
 Storage Temperature ..... -30 °C to +100 °C

**Materials**

Core Material ..... Ferrite  
 Wire ..... Enameled copper  
 Terminal Coating ..... Sn/Ag/Cu alloy

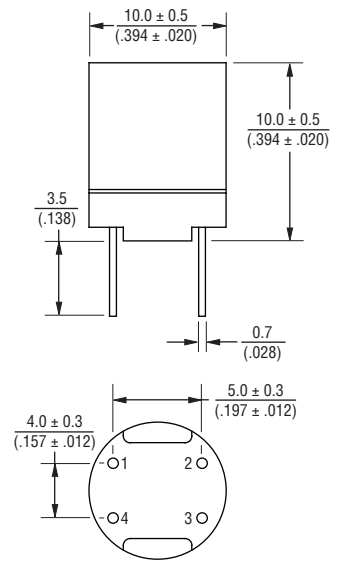
**Marking**

..... Value code on top of inductor

**Packaging**

Standard ..... 100 pcs. per bag

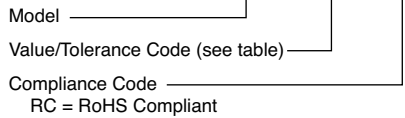
**Product Dimensions**



DIMENSIONS:  $\frac{\text{MM}}{\text{(INCHES)}}$

**How To Order**

**RL110S - 471L - RC**



Example:  
 RL110S-471L-RC = 470  $\mu$ H,  $\pm 15\%$

**Electrical Schematic**



\*RoHS Directive 2002/95/EC Jan. 27, 2003 including annex and RoHS Recast 2011/65/EU June 8, 2011.  
 Specifications are subject to change without notice.  
 The device characteristics and parameters in this data sheet can and do vary in different applications and actual device performance may vary over time.  
 Users should verify actual device performance in their specific applications.