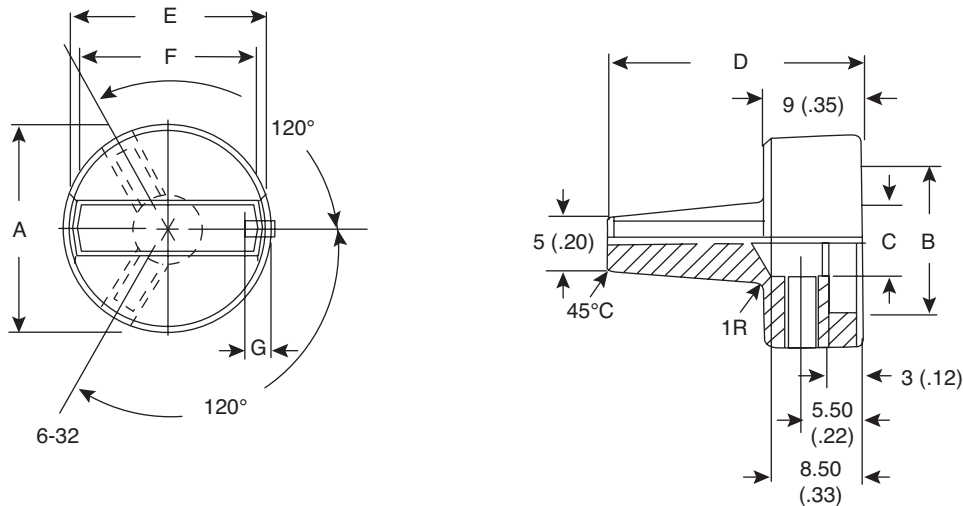


Instrument Control Knobs

450-MCB51, 450-MCB61, 450-MCB71, 450-MCB91,
450-MCB52, 450-MCB62, 450-MCB72, 450-MCB92

Date Last Revised: 6-30-05



Dimensions: mm (In.)

SPECIFICATIONS	
Material:	Solid Aluminum
Finish:	Spin
Indicator:	Saw Cut
Tolerance:	ø0-4±.10mm, ø4.10-16±.25mm, ø16-64±.30mm

DIMENSIONS MM (IN.)								
Mouser Stock No.	A	B	C	D	E	F	G	Body
450-MCB51	12.7 (0.50)	9.5 (0.37)	3.2 (0.13)	19.0 (0.75)	14.7 (0.58)	10.7 (0.42)	1.2 (0.05)	Natural
450-MCB61	15.7 (0.62)	10.0 (0.39)	6.4 (0.25)	19.0 (0.75)	14.7 (0.58)	13.7 (0.54)	2.0 (0.08)	Natural
450-MCB71	18.8 (0.74)	13.0 (0.51)	6.4 (0.25)	22.8 (0.90)	17.8 (0.70)	16.8 (0.66)	2.0 (0.08)	Natural
450-MCB91	23.8 (0.94)	18.0 (0.71)	6.4 (0.25)	22.8 (0.90)	22.8 (0.90)	21.8 (0.86)	2.0 (0.08)	Natural
450-MCB52	12.7 (0.50)	9.5 (0.37)	3.2 (0.13)	19.0 (0.75)	14.7 (0.58)	10.7 (0.42)	1.2 (0.05)	Black
450-MCB62	15.7 (0.62)	10.0 (0.39)	6.4 (0.25)	19.0 (0.75)	14.7 (0.58)	13.7 (0.54)	2.0 (0.08)	Black
450-MCB72	18.8 (0.74)	13.0 (0.51)	6.4 (0.25)	22.8 (0.90)	17.8 (0.70)	16.8 (0.66)	2.0 (0.08)	Black
450-MCB92	23.8 (0.94)	18.0 (0.71)	6.4 (0.25)	22.8 (0.90)	22.8 (0.90)	21.8 (0.86)	2.0 (0.08)	Black

Available from Mouser Electronics
1-800-346-6873
www.mouser.com

EPD-200212

Mouser Electronics

Authorized Distributor

Click to View Pricing, Inventory, Delivery & Lifecycle Information:

[Eagle Plastic Devices:](#)

[450-MCB92](#) [450-MCB51](#) [450-MCB52](#) [450-MCB91](#) [450-MCB62](#) [450-MCB61](#) [450-MCB72](#) [450-MCB71](#)