

# K5V

## Illuminated Tactile Switch



### Specifications

<b>Function</b>	Momentary action
<b>Contact Arrangement</b>	Normally Open + Normally Closed
<b>Terminals</b>	THT: Through hole terminals with positioning pegs SMT: Surface mount terminals with positioning pegs
<b>Packaging</b>	THT: 60 pieces per tray; 1800 pieces per box SMT PIP: 330 pieces per reel; 1320 pieces per box SMT Gullwing: 400 pieces per reel; 1600 pieces per box

### Electrical Characteristics

<b>Min. / Max. Power</b>	0.02 VA / 1.0 VA
<b>Min. / Max. Voltage</b>	20 VDC - 32 VDC
<b>Min. / Max. Current</b>	0.1mA - 100 mA
<b>Contact Resistance</b>	<150m $\Omega$
<b>Insulation Resistance</b>	>1G $\Omega$ initial, >10M $\Omega$ after damp heat
<b>Bounce Time</b>	< 5 ms

### Environmental Characteristics

<b>Operating Temperature</b>	-40°C to 85°C
<b>Storage Temperature</b>	-50°C to 85°C
<b>Relative Humidity</b>	90 to 96% according to NF EN 60068-2-30
<b>Protection</b>	Dust protection and flux tight
<b>Overload</b>	40N min

**Notes:**

Specifications listed above are for switches with standard options. For information on specific and custom switches, consult Customer Service Center.

### Description

The K5V series illuminated tactile switch features right angle thru-hole and SMT models for wave soldering and reflow soldering processes. It offers various colored high, bright LED options, meeting different application requirements. With reduced space usage on the PCB and excellent ergonomics, the K5V is perfect for network infrastructure, automotive and medical applications.

### Features & Benefits

- Integrated high, bright LEDs with various color / bi-color options
- Gold plated dome contacts offer normally open & normally closed functions, and secure a superior contact reliability in time
- Excellent ergonomics provides long travel, a sharp tactile feeling and an audible click
- 4N operation force and 40N overload
- Wave soldering Thru-hole and Reflow soldering PIP & SMT version
- Reduced space usage on board
- RoHS compliant and compatible

### Applications

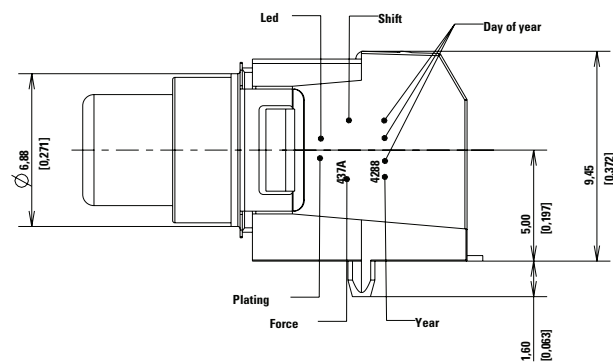
- Datacenters, servers, network infrastructures
- Medical devices
- Audio / Video devices

### Process

**Wave Soldering (THT)**  
**Reflow Soldering (PIP/SMT)**

Compatible with the lead free soldering profile No washing

### K5V 4 (GH) Drawing and Dimensions (mm)

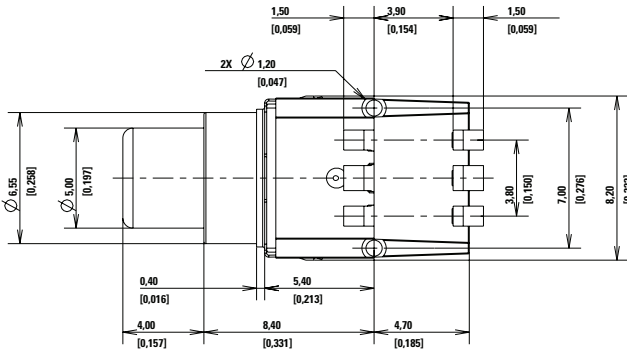
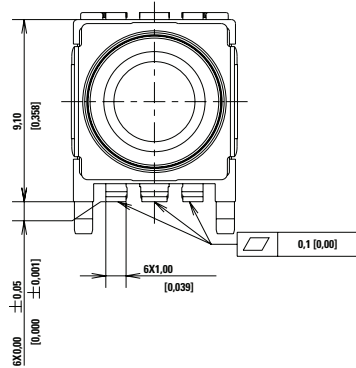


# K5V

## Illuminated Tactile Switch

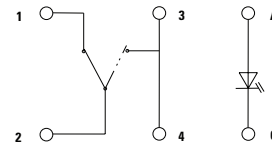


### K5V 4 (GH) Drawing and Dimensions (mm)

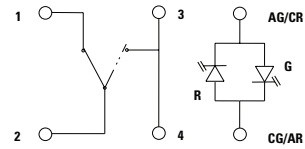


### Electrical Diagram

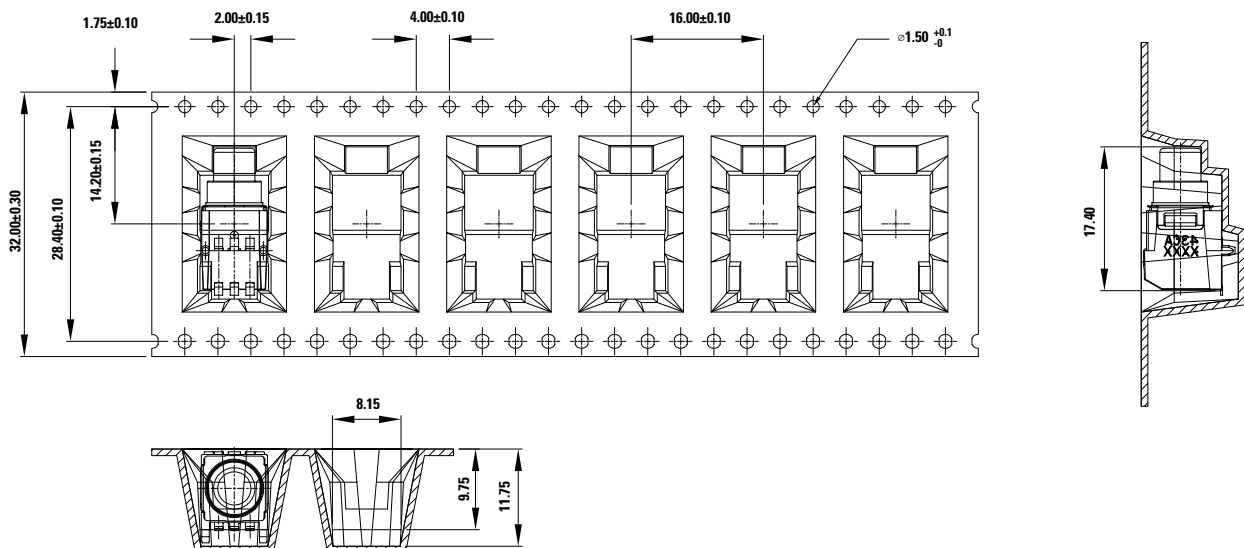
Single Color LED



Bi-Color LED



### Packaging K5V 4 GH

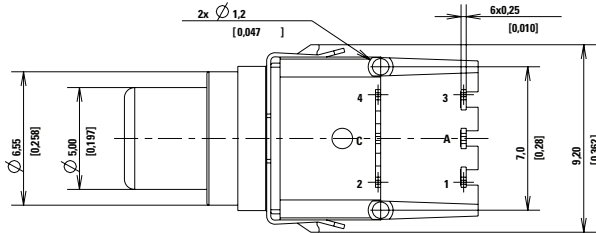


# K5V

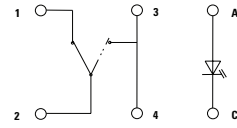
## Illuminated Tactile Switch



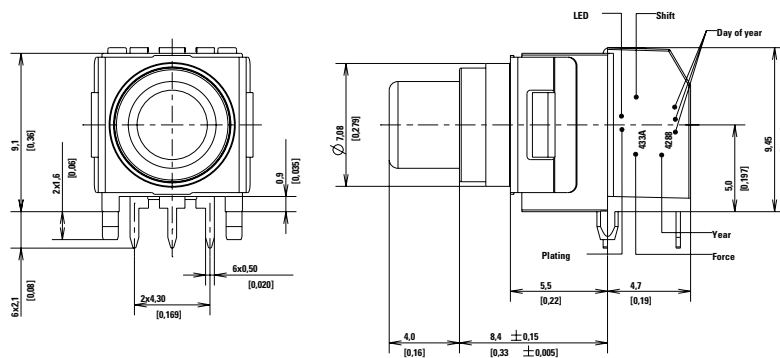
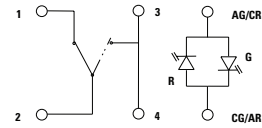
### K5V 4 (PIP 2.1mm) Drawing and Dimensions (mm)



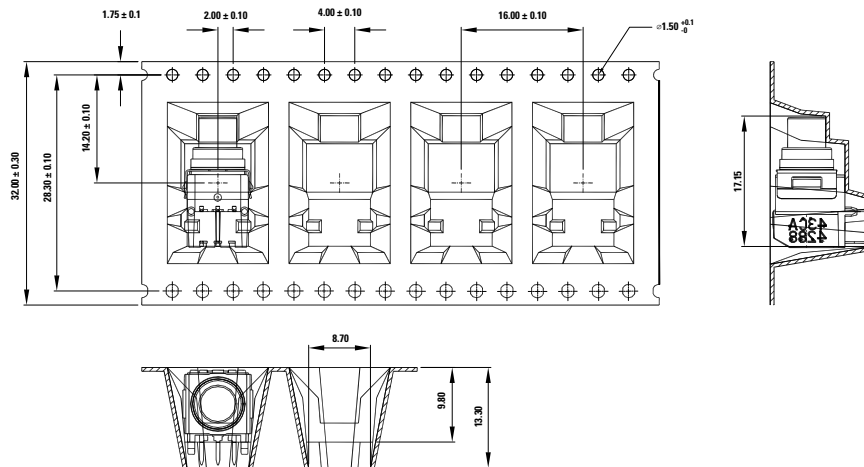
### Electrical Diagram



### Bi-Color LED



### Packaging K5V 4 PIP

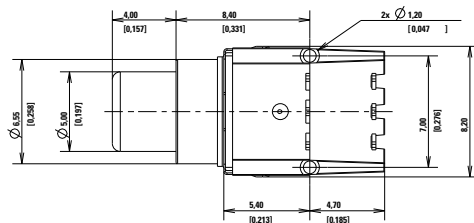
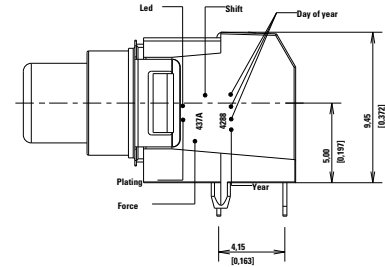
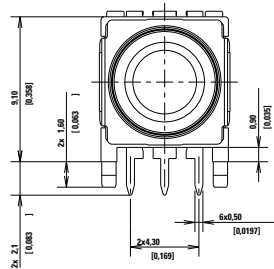
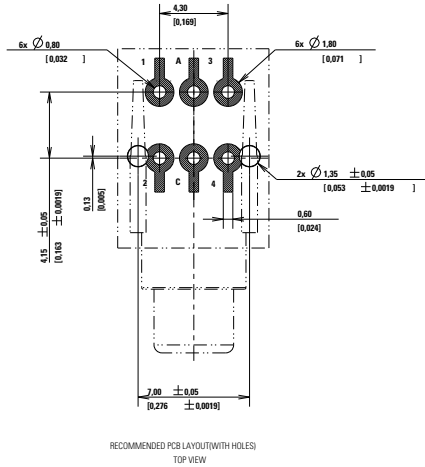


# K5V

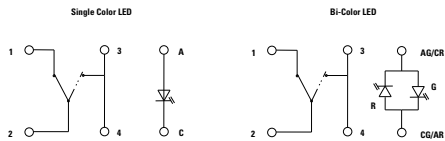
## Illuminated Tactile Switch



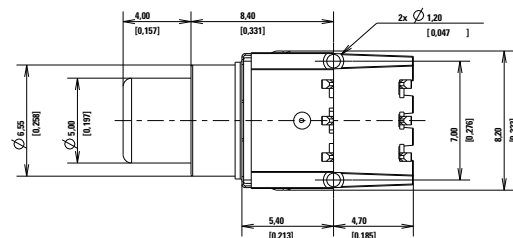
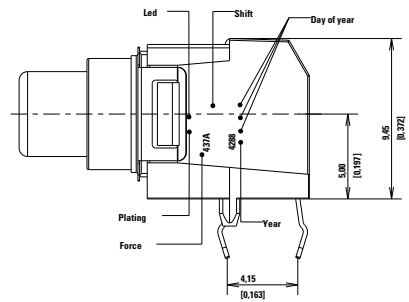
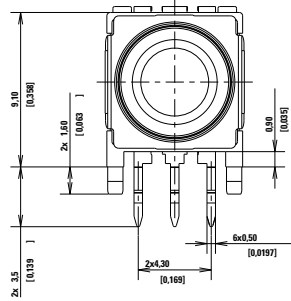
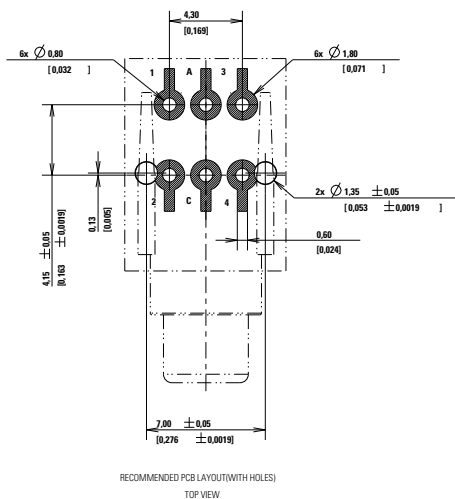
### K5V 1 THT 2.1mm Drawing and Dimensions (mm)



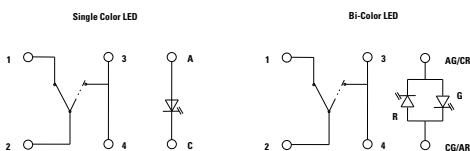
### Electrical Diagram



### K5V 1 THT 3.5mm Drawing and Dimensions (mm)



### Electrical Diagram

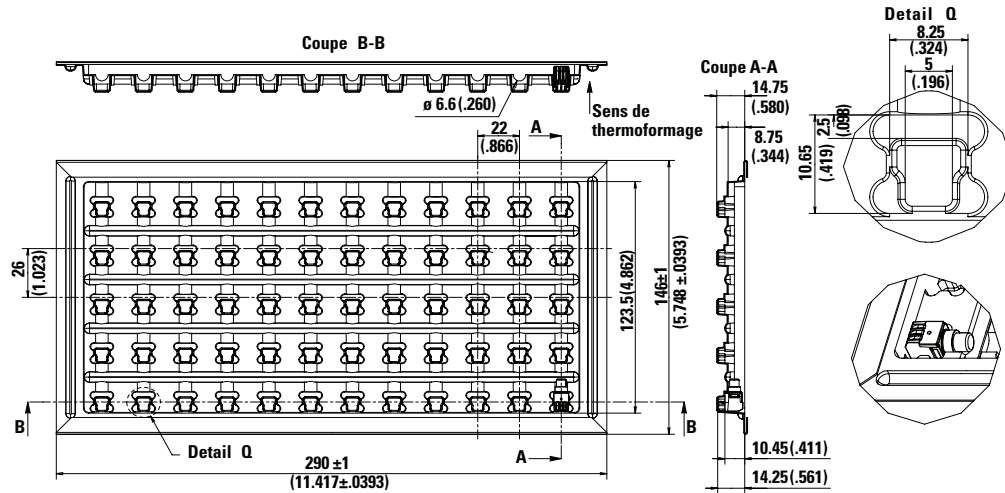


# K5V

## Illuminated Tactile Switch



### Packaging K5V 1 THT



### Materials

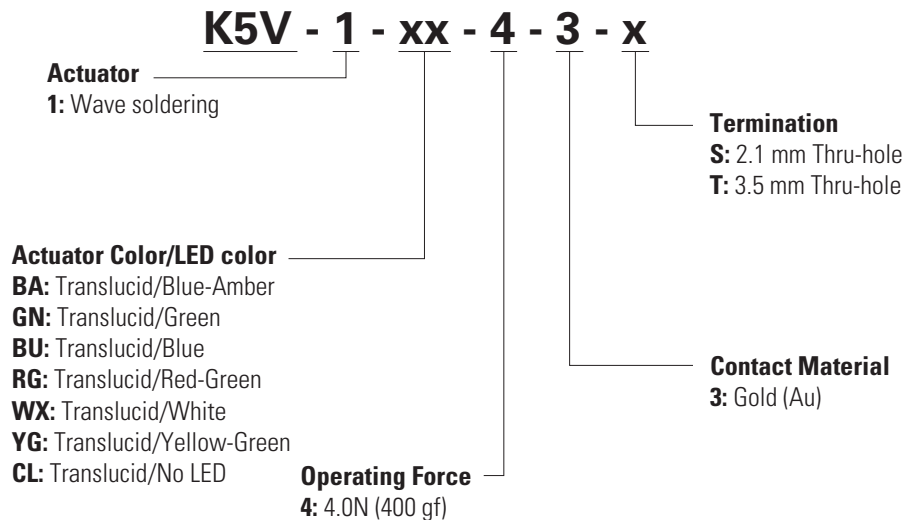
Contacts	Au over Ni
Soldering	
Housing	Thermoplastic UL94 V0

### Mechanical Characteristics

Material	Description	Operating Force	Operating life	Travel	Process	Termination	LED Color
Y71443121FPH	K5V 4 YG 4 3 G H	4 ± 1N	25,000 cycles	1.2 ± 0.3 mm	Reflow solder	Gull Wing	Yellow-Green
Y714431C1FPH	K5V 4 BA 4 3 G H	4 ± 1N	25,000 cycles	1.2 ± 0.3 mm	Reflow solder	Gull Wing	Blue-Amber
G01686692	K5V 4 BU 4 3 G H	4 ± 1N	25,000 cycles	1.2 ± 0.3 mm	Reflow solder	Gull Wing	Blue
G01650684	K5V 4 GN 4 3 G H	4 ± 1N	25,000 cycles	1.2 ± 0.3 mm	Reflow solder	Gull Wing	Green
G01686693	K5V 4 BA 4 3 S	4 ± 1N	25,000 cycles	1.2 ± 0.3 mm	Reflow solder	PIP 2.1mm	Blue-Amber
G01686694	K5V 4 BU 4 3 S	4 ± 1N	25,000 cycles	1.2 ± 0.3 mm	Reflow solder	PIP 2.1mm	Blue
Y714435C0FP	K5V 4 BA 4 3 S P3	4 ± 1N	25,000 cycles	1.2 ± 0.3 mm	Reflow solder	PIP 2.1mm, P3 cut	Blue-Amber
Y71443530FP	K5V 4 BU 4 3 S P3	4 ± 1N	25,000 cycles	1.2 ± 0.3 mm	Reflow solder	PIP 2.1mm, P3 cut	Blue
Y71243221FP	K5V 1 YG 4 3 T	4 ± 1N	25,000 cycles	1.2 ± 0.3 mm	Wave Solder	THT 3.5mm	Yellow-Green
Y71243241FP	K5V 1 GN 4 3 T	4 ± 1N	25,000 cycles	1.2 ± 0.3 mm	Wave Solder	THT 3.5mm	Green
Y71243231FP	K5V 1 BU 4 3 T	4 ± 1N	25,000 cycles	1.2 ± 0.3 mm	Wave Solder	THT 3.5mm	Blue
Y71243271FP	K5V 1 RG 4 3 T	4 ± 1N	25,000 cycles	1.2 ± 0.3 mm	Wave Solder	THT 3.5mm	Red-Green
Y71243201FP	K5V 1 CL 4 3 T	4 ± 1N	25,000 cycles	1.2 ± 0.3 mm	Wave Solder	THT 3.5mm	No LED

**K5V****Illuminated Tactile Switch****Ordering Number**

Our easy build-a-switch concept allows you to mix and match options to create the switch you need. To order, select desired option from each category and place it in the appropriate box. For any part number different from those listed above, please consult your local representative.

**Wave soldering****Reflow soldering**