



**Screw Connectors for Printed Circuit Boards**

**TYPE 950 (-DS)**

5 mm spacing - 2 to 32 poles



Distributor Stock Check



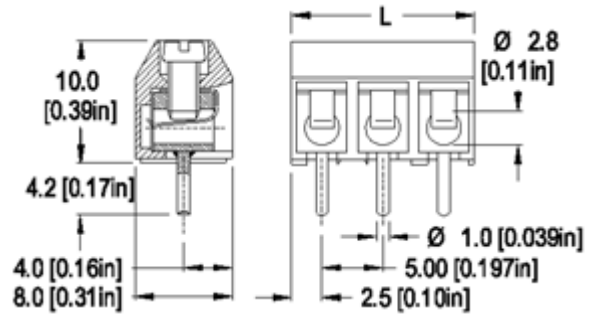
RoHS WEEE Pb free surface compliant

**Description**

- Solid version
- Low profile
- Wire entrance parallel to PC Board

**Technical Data**

**Center to Center Spacing:** 5 mm (0.197 in.)  
**Nominal Cross Section:**  
 1.5 mm<sup>2</sup> (2325 mils<sup>2</sup>)  
**Wire Stripping Length:** 6 mm (0.25 in.)  
**Recommended Hole Diameter in PC Board:**  
 1.3 mm (0.051 in.)



Dimensions: mm (in.)

Length of Connector (L)

L = No. of Poles x Center to Center Spacing

**When locating connector, allow 0.5 mm clearance around it for process-induced variations.**

**Approval Information**

UL File No.E69841   
 CSA File No.LR24322

Rating	Current(A)	Voltage(V)	Application group	AWG
UL	15	300	B	26-14
CSA	15	300	B	26-12

\* Version DS is CSA certified for 26-14 AWG.

**Screw Tightening Torque:**

UL: 3.5 lbf·in  
 CSA: 0.4 Nm

**International Approvals:**



**Rated Impulse Withstand Voltage:** 2500 V

**Material**

**Version:** 2 to 8 poles  
**Molding:** Polyamide, self extinguishing UL 94, V-0, color grey  
**Temperature limits:**  
**Short Time:** 140°C (284°F)  
**Continuous:** RTI 105°C (221°F)  
**Low Limit:** -40°C (-40°F)  
**Comparative Tracking Index:** CTI > 600  
**Oxygen Index Rating:** 32%

**Version:** 9 to 32 poles  
**Molding:** Polyamide (glass fiber reinforced), self extinguishing UL 94, V-0, color grey  
**Temperature limits:**  
**Short Time:** 200°C (392°F)  
**Continuous:** RTI 105°C (221°F)

**Low Limit:** -40°C (-40°F)  
**Comparative Tracking Index:** CTI > 175  
**Oxygen Index Rating:** 33%

**Terminal Body:** Tin plated copper alloy  
**Wire Protector:** Tin plated copper alloy  
**Screw:** M2.6, Slotted head, zinc plated blue passivated, steel substrate  
**Solder Pin:** Ø 1.0 mm (0.04 in.), Tin plated copper alloy

---

**Item**

**950 (-DS)**

**Options**

- CN: Consecutive Numbering (hot stamped numbers)
- SM: Special Marking (please provide sketch)
- BS: Copper Alloy Screw
- PS: Clear Chromate Passivated, zinc plated, Steel Screws
- G05: Gold Plating (5 micro inches)
- G30: Gold Plating (30 micro inches)
- S30: Silver Plating (30 micro inches)
- XXMM: Longer solder Pins up to 75 mm (3 in.)

Protruding length of pins, in millimeters: \_\_\_\_\_

**Note:** Plated component: terminal body

**Ordering Note:** Voltage rating for 10 mm spacing is UL certified for 15A - 300V / B and for 10A - 300V / D (952 (-DS)).

**Accessories**

**950**

WIRE PROTECTOR:  
with: - DS

\_\_\_\_\_

/

POLES:  
02 to 32

\_\_\_\_\_