

100307 Low Power Quint Exclusive OR/NOR Gate

General Description

The 100307 is monolithic quint exclusive-OR/NOR gate. The Function output is the wire-OR of all five exclusive-OR outputs. All inputs have 50 kΩ pull-down resistors.

Features

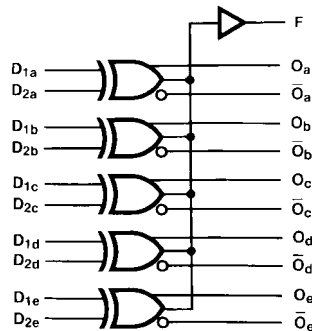
- Low Power Operation
- 2000V ESD protection
- Pin/function compatible with 100107
- Voltage compensated operating range = -4.2V to -5.7V
- Available to industrial grade temperature range (PLCC package only)

Ordering Code:

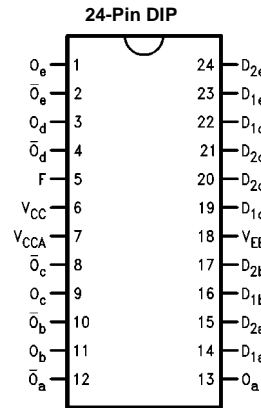
| Order Number | Package Number | Package Description |
|--------------|----------------|---|
| 1000307PC | N24E | 24-Lead Plastic Dual-In-Line Package (PDIP), JEDEC MS-010, 0.400 Wide |
| 1000307QC | V28A | 28-Lead Plastic Lead Chip Carrier (PLCC), JEDEC MO-047, 0.450 Square |
| 1000307QI | V28A | 28-Lead Plastic Lead Chip Carrier (PLCC), JEDEC MO-047, 0.450 Square Industrial Temperature Range (-40°C to +85°C) |

Devices also available in Tape and Reel. Specify by appending the suffix letter "X" to the ordering code.

Logic Symbol



Connection Diagrams

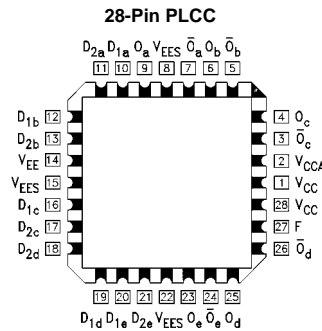


Pin Descriptions

| Pin Names | Description |
|----------------------------------|----------------------------|
| D _{na} -D _{ne} | Data Inputs |
| F | Function Output |
| O _a -O _e | Data Outputs |
| O _a -O _e | Complementary Data Outputs |

Logic Equation

$$F = (D_{1a} \oplus D_{2a}) + (D_{1b} \oplus D_{2b}) + (D_{1c} \oplus D_{2c}) + (D_{1d} \oplus D_{2d}) + (D_{1e} \oplus D_{2e})$$



Absolute Maximum Ratings (Note 1)

| | |
|--|-------------------|
| Storage Temperature (T_{STG}) | -65°C to +150°C |
| Maximum Junction Temperature (T_J) | +150°C |
| V_{EE} Pin Potential to Ground Pin | -7.0V to +0.5V |
| Input Voltage (DC) | V_{EE} to +0.5V |
| Output Current (DC Output HIGH) | -50 mA |
| ESD (Note 2) | $\geq 2000V$ |

Recommended Operating Conditions

| | | |
|-----------------------------|------------|----------------|
| Case Temperature (T_C) | Commercial | 0°C to +85°C |
| | Industrial | -40°C to +85°C |
| Supply Voltage (V_{EE}) | | -5.7V to -4.2V |

Note 1: The "Absolute Maximum Ratings" are those values beyond which the safety of the device cannot be guaranteed. The device should not be operated at these limits, the parametric values defined in the Electrical Characteristics tables are not guaranteed at the absolute maximum rating. The "Recommended Operating Conditions" table will define the conditions for actual device operation.

Note 2: ESD testing conforms to MIL-STD-883, Method 3015.

Commercial Version**DC Electrical Characteristics** (Note 3)

$V_{EE} = -4.2V$ to $-5.7V$, $V_{CC} = V_{CCA} = GND$, $T_C = 0^\circ C$ to $+85^\circ C$

| Symbol | Parameter | Min | Typ | Max | Units | Conditions | |
|-----------|--|-------|-------|------------|-------|--|------------------------------|
| V_{OH} | Output HIGH Voltage | -1025 | -955 | -870 | mV | $V_{IN} = V_{IH} (Max)$ or $V_{IL} (Min)$ | Loading with 50Ω to -2.0V |
| V_{OL} | Output LOW Voltage | -1830 | -1705 | -1620 | mV | | |
| V_{OHC} | Output HIGH Voltage | -1035 | | | mV | $V_{IN} = V_{IH} (Min)$ or $V_{IL} (Max)$ | Loading with 50Ω to -2.0V |
| V_{OLC} | Output LOW Voltage | | | -1610 | mV | | |
| V_{IH} | Input HIGH Voltage | -1165 | | -870 | mV | Guaranteed HIGH Signal for All Inputs | |
| V_{IL} | Input LOW Voltage | -1830 | | -1475 | mV | Guaranteed LOW Signal for All Inputs | |
| I_{IL} | Input LOW Current | 0.50 | | | μA | $V_{IN} = V_{IL} (Min)$ | |
| I_{IH} | Input HIGH Current $D_{2a}-D_{2e}$ $D_{1a}-D_{1e}$ | | | 250 350 | μA | $V_{IN} = V_{IH} (Max)$ | |
| I_{EE} | Power Supply Current | -69 | -43 | -30 | mA | Inputs Open | |

Note 3: The specified limits represent the "worst case" value for the parameter. Since these values normally occur at the temperature extremes, additional noise immunity and guardbanding can be achieved by decreasing the allowable system operating ranges. Conditions for testing shown in the tables are chosen to guarantee operation under "worst case" conditions.

DIP AC Electrical Characteristics

$V_{EE} = -4.2V$ to $-5.7V$, $V_{CC} = V_{CCA} = GND$

| Symbol | Parameter | $T_C = 0^\circ C$ | | $T_C = +25^\circ C$ | | $T_C = +85^\circ C$ | | Units | Conditions |
|------------------------|--|-------------------|------|---------------------|------|---------------------|------|-------|--------------|
| | | Min | Max | Min | Max | Min | Max | | |
| t_{PLH} t_{PHL} | Propagation Delay $D_{2a}-D_{2e}$ to O, \bar{O} | 0.55 | 1.90 | 0.55 | 1.80 | 0.55 | 1.90 | ns | Figures 1, 2 |
| t_{PLH} t_{PHL} | Propagation Delay $D_{1a}-D_{1e}$ to O, \bar{O} | 0.55 | 1.70 | 0.55 | 1.60 | 0.55 | 1.70 | ns | |
| t_{PLH} t_{PHL} | Propagation Delay Data to F | 1.15 | 2.75 | 1.15 | 2.75 | 1.15 | 3.00 | ns | |
| t_{TLH} t_{THL} | Transition Time 20% to 80%, 80% to 20% | 0.35 | 1.20 | 0.35 | 1.20 | 0.35 | 1.20 | ns | |

Commercial Version (Continued) PLCC AC Electrical Characteristics

 $V_{EE} = -4.2V$ to $-5.7V$, $V_{CC} = V_{CCA} = GND$

| Symbol | Parameter | $T_C = 0^\circ C$ | | $T_C = +25^\circ C$ | | $T_C = +85^\circ C$ | | Units | Conditions |
|------------------------|--|-------------------|------|---------------------|------|---------------------|------|-------|--------------|
| | | Min | Max | Min | Max | Min | Max | | |
| t_{PLH} t_{PHL} | Propagation Delay $D_{2a}-D_{2e}$ to O, \bar{O} | 0.55 | 1.70 | 0.55 | 1.60 | 0.55 | 1.70 | ns | Figures 1, 2 |
| t_{PLH} t_{PHL} | Propagation Delay $D_{1a}-D_{1e}$ to O, \bar{O} | 0.55 | 1.50 | 0.55 | 1.40 | 0.55 | 1.50 | | |
| t_{PLH} t_{PHL} | Propagation Delay Data to F | 1.15 | 2.55 | 1.15 | 2.55 | 1.15 | 2.80 | | |
| t_{TLH} t_{THL} | Transition Time 20% to 80%, 80% to 20% | 0.35 | 1.10 | 0.35 | 1.10 | 0.35 | 1.10 | | |

Industrial Version

PLCC DC Electrical Characteristics (Note 4)

 $V_{EE} = -4.2V$ to $-5.7V$, $V_{CC} = V_{CCA} = GND$, $T_C = -40^\circ C$ to $+85^\circ C$

| Symbol | Parameter | $T_C = -40^\circ C$ | | $T_C = 0^\circ C$ to $+85^\circ C$ | | Units | Conditions | |
|-----------|--|---------------------|------------|------------------------------------|------------|---------|---------------------------------------|---------------------------------------|
| | | Min | Max | Min | Max | | | |
| V_{OH} | Output HIGH Voltage | -1085 | -870 | -1025 | -870 | mV | $V_{IN} = V_{IH(Max)}$ | Loading with 50Ω to $-2.0V$ |
| V_{OL} | Output LOW Voltage | -1830 | -1575 | -1830 | -1620 | mV | or $V_{IL(Min)}$ | |
| V_{OHC} | Output HIGH Voltage | -1095 | | -1035 | | mV | $V_{IN} = V_{IH(Min)}$ | Loading with 50Ω to $-2.0V$ |
| V_{OLC} | Output LOW Voltage | | -1565 | | -1610 | mV | or $V_{IL(Max)}$ | |
| V_{IH} | Input HIGH Voltage | -1170 | -870 | -1165 | -870 | mV | Guaranteed HIGH Signal for All Inputs | |
| V_{IL} | Input LOW Voltage | -1830 | -1480 | -1830 | -1475 | mV | Guaranteed LOW Signal for All Inputs | |
| I_{IL} | Input LOW Current | 0.50 | | 0.50 | | μA | $V_{IN} = V_{IL(Min)}$ | |
| I_{IH} | Input HIGH Current $D_{2a}-D_{2e}$ $D_{1a}-D_{1e}$ | | 250 350 | | 250 350 | μA | $V_{IN} = V_{IH(Max)}$ | |
| I_{EE} | Power Supply Current | -69 | -30 | -69 | -30 | mA | Inputs Open | |

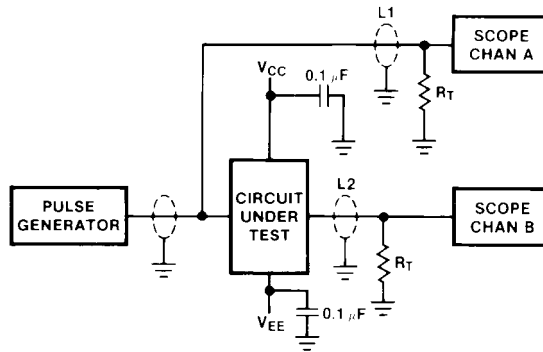
Note 4: The specified limits represent the "worst case" value for the parameter. Since these values normally occur at the temperature extremes, additional noise immunity and guardbanding can be achieved by decreasing the allowable system operating ranges. Conditions for testing shown in the tables are chosen to guarantee operation under "worst case" conditions.

PLCC AC Electrical Characteristics

 $V_{EE} = -4.2V$ to $-5.7V$, $V_{CC} = V_{CCA} = GND$

| Symbol | Parameter | $T_C = -40^\circ C$ | | $T_C = +25^\circ C$ | | $T_C = +85^\circ C$ | | Units | Conditions |
|------------------------|--|---------------------|------|---------------------|------|---------------------|------|-------|--------------|
| | | Min | Max | Min | Max | Min | Max | | |
| t_{PLH} t_{PHL} | Propagation Delay $D_{2a}-D_{2e}$ to O, \bar{O} | 0.45 | 1.70 | 0.55 | 1.60 | 0.55 | 1.70 | ns | Figures 1, 2 |
| t_{PLH} t_{PHL} | Propagation Delay $D_{1a}-D_{1e}$ to O, \bar{O} | 0.45 | 1.50 | 0.55 | 1.40 | 0.55 | 1.50 | | |
| t_{PLH} t_{PHL} | Propagation Delay Data to F | 1.05 | 2.55 | 1.15 | 2.55 | 1.15 | 2.80 | | |
| t_{TLH} t_{THL} | Transition Time 20% to 80%, 80% to 20% | 0.35 | 1.10 | 0.35 | 1.10 | 0.35 | 1.10 | | |

Test Circuitry



- Notes:**
 $V_{CC}, V_{CCA} = +2V, V_{EE} = -2.5V$
 $L1$ and $L2$ = equal length 50Ω impedance lines
 $R_T = 50\Omega$ terminator internal to scope
 Decoupling $0.1 \mu F$ from GND to V_{CC} and V_{EE}
 All unused outputs are loaded with 50Ω to GND
 C_L = Fixture and stray capacitance ≤ 3 pF

FIGURE 1. AC Test Circuit

Switching Waveforms

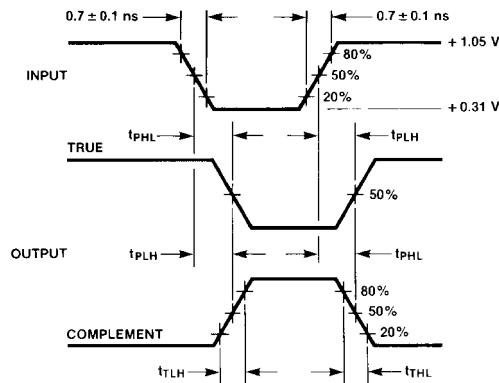
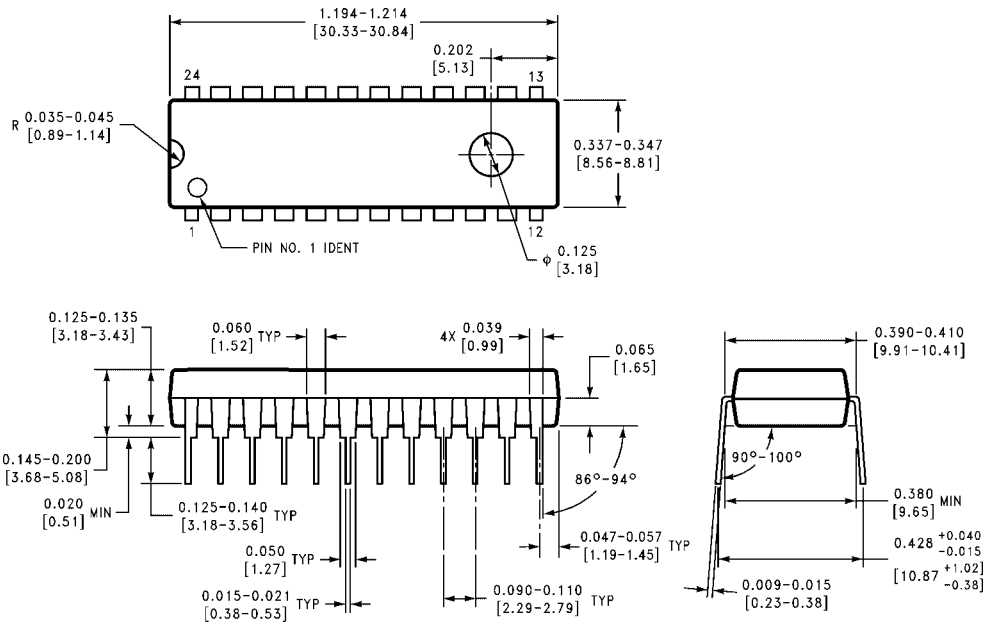


FIGURE 2. Propagation Delay and Transition Times

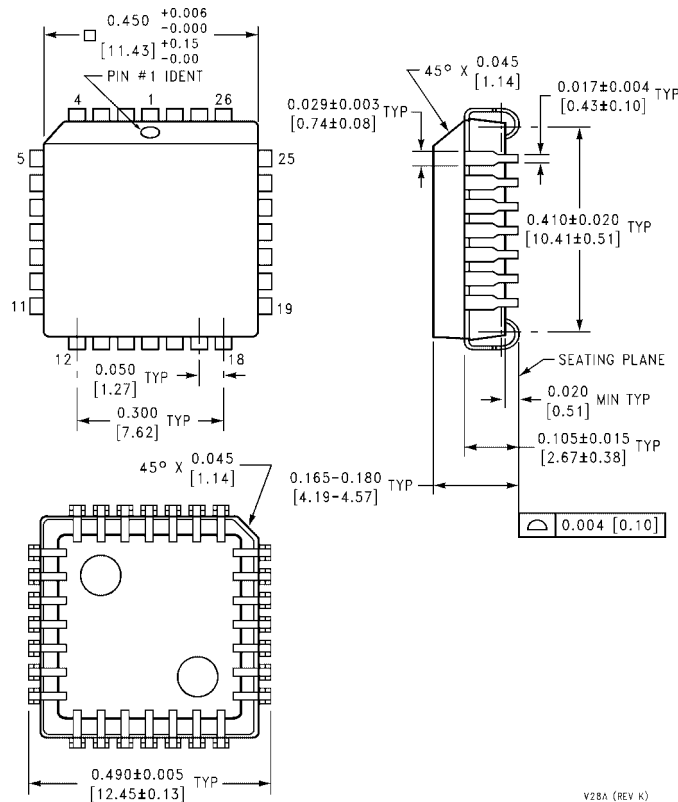
Physical Dimensions inches (millimeters) unless otherwise noted



**24-Lead Plastic Dual-In-Line Package (PDIP), JEDEC MS-010, 0.400 Wide
Package Number N24E**

N24E (REV A)

Physical Dimensions inches (millimeters) unless otherwise noted (Continued)



28-Lead Plastic Lead Chip Carrier (PLCC), JEDEC MO-047, 0.450 Square Package Number V28A

V28A (REV K)

Fairchild does not assume any responsibility for use of any circuitry described, no circuit patent licenses are implied and Fairchild reserves the right at any time without notice to change said circuitry and specifications.

LIFE SUPPORT POLICY

FAIRCHILD'S PRODUCTS ARE NOT AUTHORIZED FOR USE AS CRITICAL COMPONENTS IN LIFE SUPPORT DEVICES OR SYSTEMS WITHOUT THE EXPRESS WRITTEN APPROVAL OF THE PRESIDENT OF FAIRCHILD SEMICONDUCTOR CORPORATION. As used herein:

1. Life support devices or systems are devices or systems which, (a) are intended for surgical implant into the body, or (b) support or sustain life, and (c) whose failure to perform when properly used in accordance with instructions for use provided in the labeling, can be reasonably expected to result in a significant injury to the user.
2. A critical component in any component of a life support device or system whose failure to perform can be reasonably expected to cause the failure of the life support device or system, or to affect its safety or effectiveness.

www.fairchildsemi.com