

## Polyester Modular Enclosures - NEMA 4X

### PJU Series - Lift-Off, Solid and Window Door

[<< Product Information](#) [<< Corrosion Resistant Enclosures](#) [<<](#)



### Application

- Designed for use as instrument enclosures, electric, hydraulic or pneumatic control housings, electrical junction boxes or terminal wiring enclosures.
- Provides outstanding insulation and protection where equipment may be hosed down or be very wet.
- Ideal in applications with high temperatures or highly corrosive environments.

[Download - PDF](#)

[Drawing Links](#)

**Panel  
Sold  
Separately**



### Standards

- UL 508 Type 1, 2, 3, 4, 4X, 12 and 13
- CSA Type 1, 2, 3, 4, 4X, 12 and 13
- Complies with
  - NEMA Type 1, 2, 3, 4, 4X, 12 and 13
  - IEC 60529, IP66

### Construction

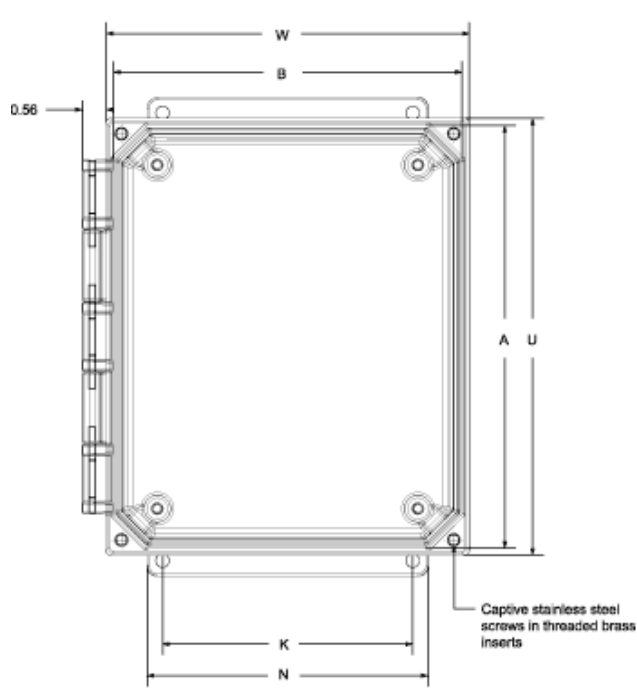
- Molded fiberglass polyester enclosure with matching cover is easily punched, cut, or drilled.
- Enhanced UV inhibitors protect against outdoor weathering.
- Standard JIC sizes under 18" x 16".
- Threaded brass inserts are provided for optional inner panel or terminal kit mounting. Mounting hardware is included.
- Cover fastened with captive stainless steel screws in threaded brass inserts.
- Enclosure available with clear Polycarbonate cover to 16" x 14".
- Captive oil resistant gasket provides a positive seal.
- Available with Polycarbonate flange or foot mount brackets for multi-directional mounting.
- Operating temperatures between 130°C and -40°C (266°F to -40°F).
- Impact index of 6.78J (5 ft/lb).
- For corrosion resistance information, please refer to table in the Technical Information section.

### Finish

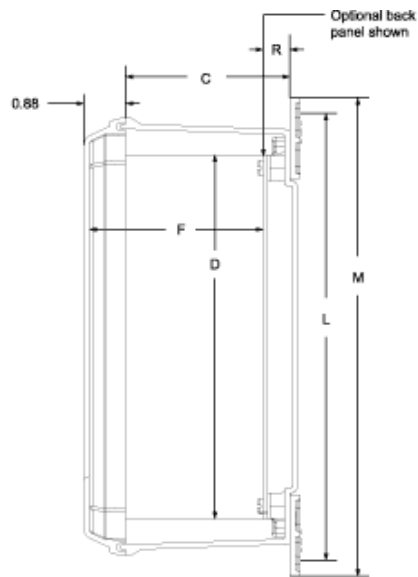
- Fiberglass polyester material has a gray finish.
- Optional inner panels are available in white powder coated finished steel or unfinished aluminum, or Fiberglass.

### Accessories

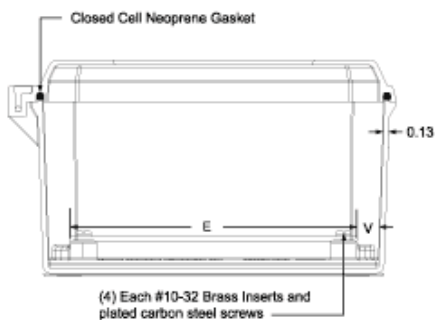
- **Painted steel inner panels**
- **PJ/PJU swing panel**
- **Unfinished aluminum inner panels**
- **Fiberglass inner panels**
- **Terminal kit assemblies**



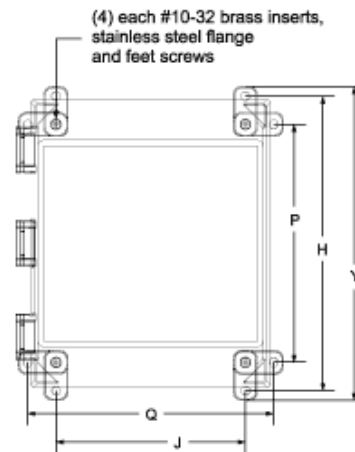
**Front View**



**Side View**



**End View**



**Rear View**

Lift-Off Cover Flange Part No.	Lift-Off Cover Feet Part No.	Overall Dimensions						Panel Size Center		Flange Mounting Centers			
		A	B	C	D	E	F	S	Z	L	K	M	
<b>PJU664F</b>	<b>PJU664</b>	6.05	6.27	4.13	4.88	4.88	4.11	4.25	4.25	6.88 / 6.75	4.05	7.62	
<b>PJU864F</b>	<b>PJU864</b>	8.05	6.27	4.13	6.75	4.88	4.11	6.25	4.25	8.88 / 8.75	4.00	9.62	
<b>PJU1084F</b>	<b>PJU1084</b>	10.05	8.27	4.13	8.75	6.88	4.11	10.25	6.25	10.75	6.00	11.50	
<b>PJU12106F</b>	<b>PJU12106</b>	12.05	10.27	6.13	10.75	8.88	6.11	10.25	8.25	12.75	8.00	13.50	
<b>PJU14126F</b>	<b>PJU14126</b>	14.05	12.27	6.13	12.75	10.88	6.11	12.25	10.25	14.75 / 14.62	10.00	15.37	
<b>PJU16148F</b>	<b>PJU16148</b>	16.05	14.27	8.13	14.75	12.88	8.11	14.25	12.25	16.75	12.00	17.50	
<b>PJU181610F</b>	<b>PJU181610</b>	18.30	16.52	10.13	16.88	14.88	10.11	16.25	14.25	18.88 / 18.76	12.00	20.12	
<b>PJU201610F</b>	<b>PJU201610</b>	20.50	16.27	10.13	18.44	14.44	10.11	17.81	13.81	21.25	10.00	21.50	

Lift-Off Clear Cover Flange Part No.	Lift-Off Clear Cover Feet Part No.	Overall Dimensions										Optional Panel Part No.	Ship Wt. (lbs)
		N	H	J	P	Q	U	W	Y	R	V		
<b>PJU664CCF</b>	<b>PJU664CC</b>	4.80	6.75	4.91	4.69	6.97	6.50	6.72	7.47	0.70	0.52	<b>14R0505</b>	4
<b>PJU864CCF</b>	<b>PJU864CC</b>	4.75	8.75	4.91	6.69	6.97	8.50	6.72	9.46	0.70	0.62	<b>14R0705</b>	4
<b>PJU1084CCF</b>	<b>PJU1084CC</b>	6.75	10.75	6.91	8.69	8.97	10.50	8.72	11.47	0.70	0.53	<b>14R0907</b>	6
<b>PJU12106CCF</b>	<b>PJU12106CC</b>	8.75	12.70	8.82	10.64	10.88	12.50	10.72	13.47	0.68	0.44	<b>14R1109</b>	6
<b>PJU14126CCF</b>	<b>PJU14126CC</b>	10.75	14.70	10.82	12.64	12.88	14.50	12.72	15.37	0.70	0.46	<b>14R1311</b>	8
<b>PJU16148CCF</b>	<b>PJU16148CC</b>	12.75	16.91	11.47	13.50	14.88	16.50	14.72	17.50	0.70	0.40	<b>14R1513</b>	11
N/A	N/A	12.75	19.16	13.72	15.75	17.13	18.75	16.97	19.89	0.70	0.45	<b>P1868</b>	12
N/A	N/A	12.75	20.53	13.16	17.13	16.56	20.50	16.72	21.28	0.70	0.50	<b>P2068</b>	17