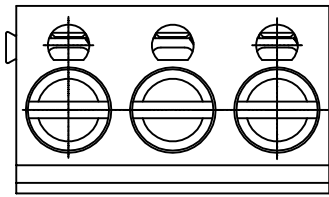


SIGN	DATE	DESCRIPTION	APPROVER
		<i>THIS IS CAD DRAWING, DO NOT REVISE MANUALLY!!!</i>	



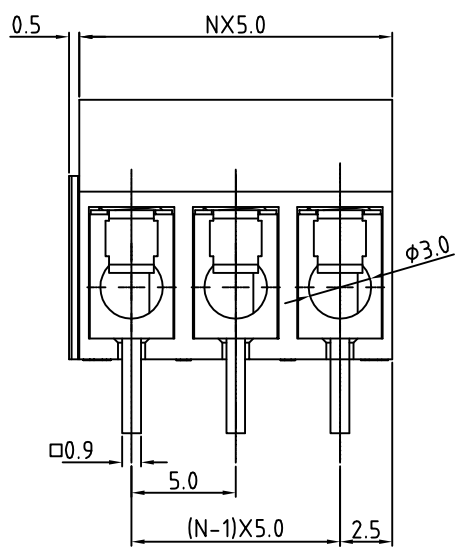
Material

- Terminal body
- (metal housing): Brass(CuZn)
- Terminal screw: Steel Zinc plating "-" slot type
- Wire guard: Stainless steel
- Surface of solder tail: Tin plated
- Insulator (housing): Thermoplastic (UL94V-0)

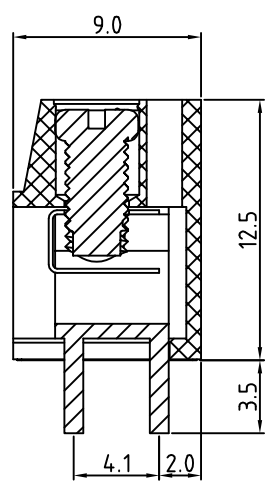
Electrical

- Voltage rating: 300VAC
- Current rating: 15A
- Wire range:
 - Solid wire(AWG): 14-22
 - Stranded wire(AWG): 14-22
- Torque(Lb-in): 3.5
- Screw: M3
- Wire strip length: 6-7mm
- Withstanding Voltage: 1.6KV
- Operating temperature: -30°C to +105°C
- Soldering temperature: 250°C±10°C/5 Sec
- Safety Approval: US

RoHS Compliant



N=Number of contacts

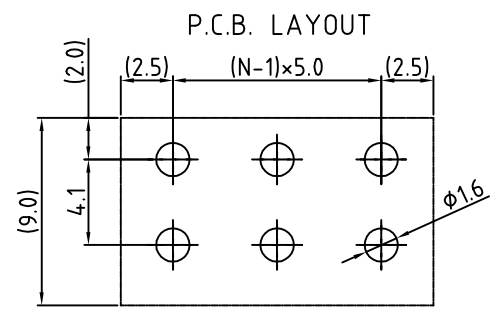


PART NUMBER:

OSTVAXX0160

No. of Poles	
02	2 Poles
03	3 Poles
...	...
24	24 Poles

COLOR	
0:	Black
5:	Green
6:	Blue (Standard)
8:	Grey



THESE DRAWINGS AND SPECIFICATIONS ARE THE PROPERTY OF ON-SHORE TECHNOLOGY, INC. AND SHALL NOT BE REPRODUCED, COPIED OR USED IN ANY MANNER WITHOUT THE PRIOR WRITTEN CONSENT OF ON-SHORE TECHNOLOGY, INC.



TITLE		OSTVA- 5.0mm Series			
PART NO.		OSTVAXX0160		DWG NO.	OSTVAXX0160.DWG
APPROVED	CHECKED	DESIGNED	DRAWN	CUST NO.	Tolerance
Shi Jun 2006.10.19	Shi Jun 2006.10.19	xionghaitao 2006.10.19	xionghaitao 2006.10.19		X. ±0.50
					X.X ±0.30
				UNIT: mm	X.XX ±0.10
				SCALE: NONE	X° ±1°
				SHEET: 01/01	REV: D