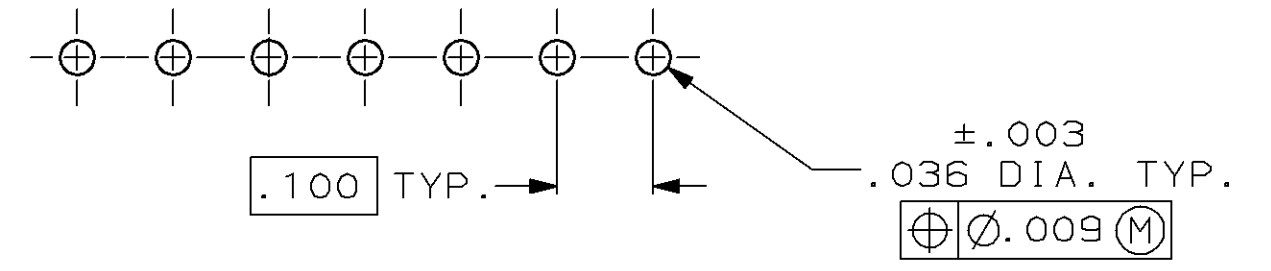
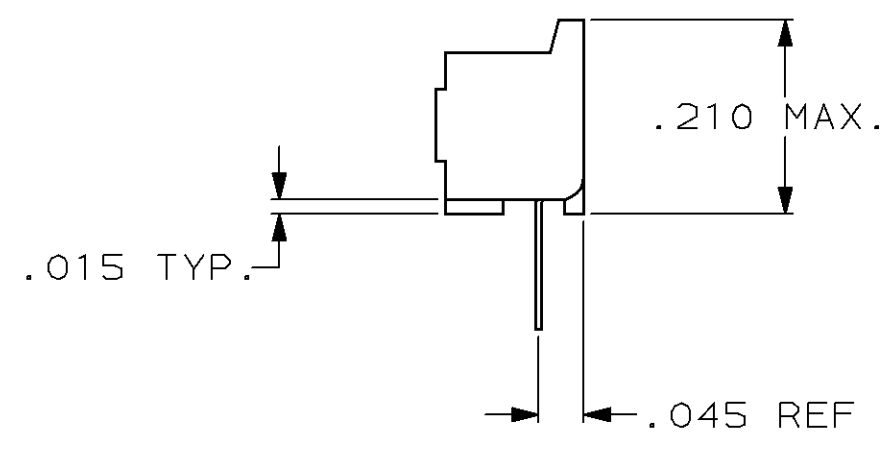
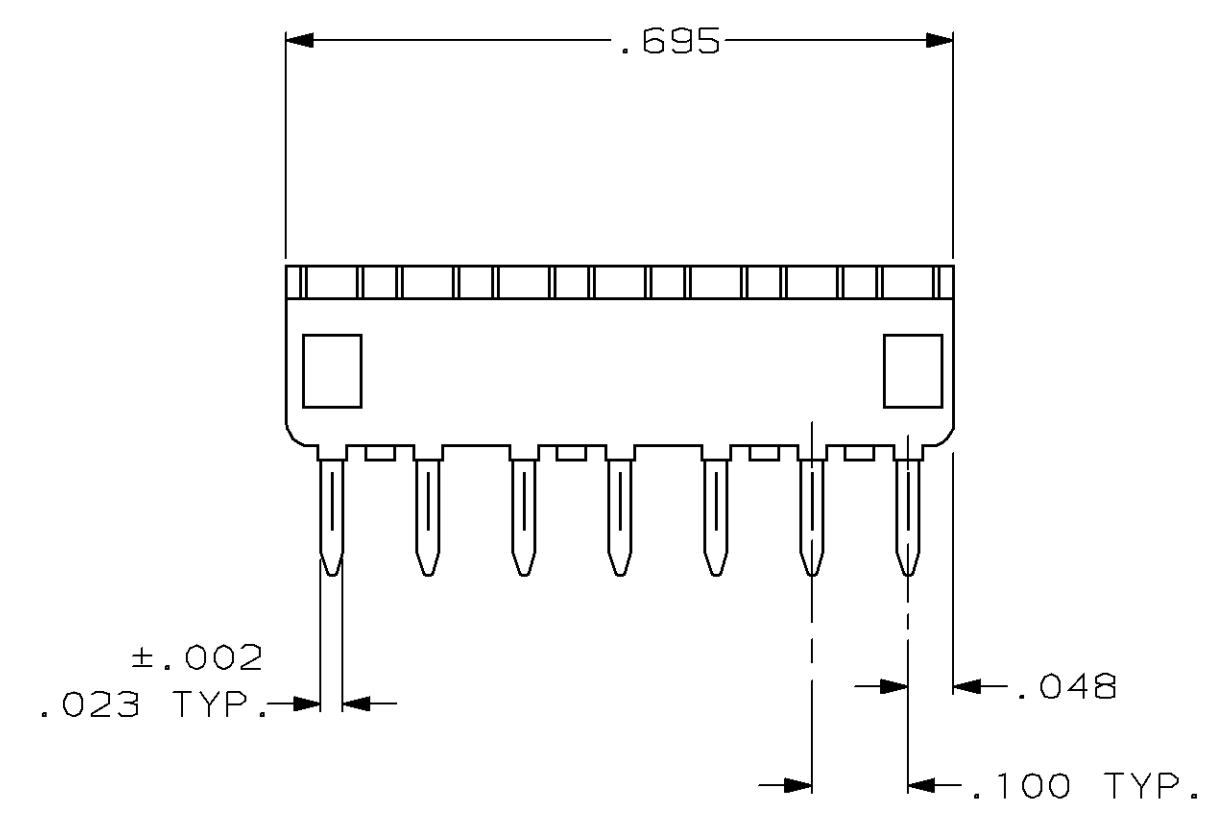
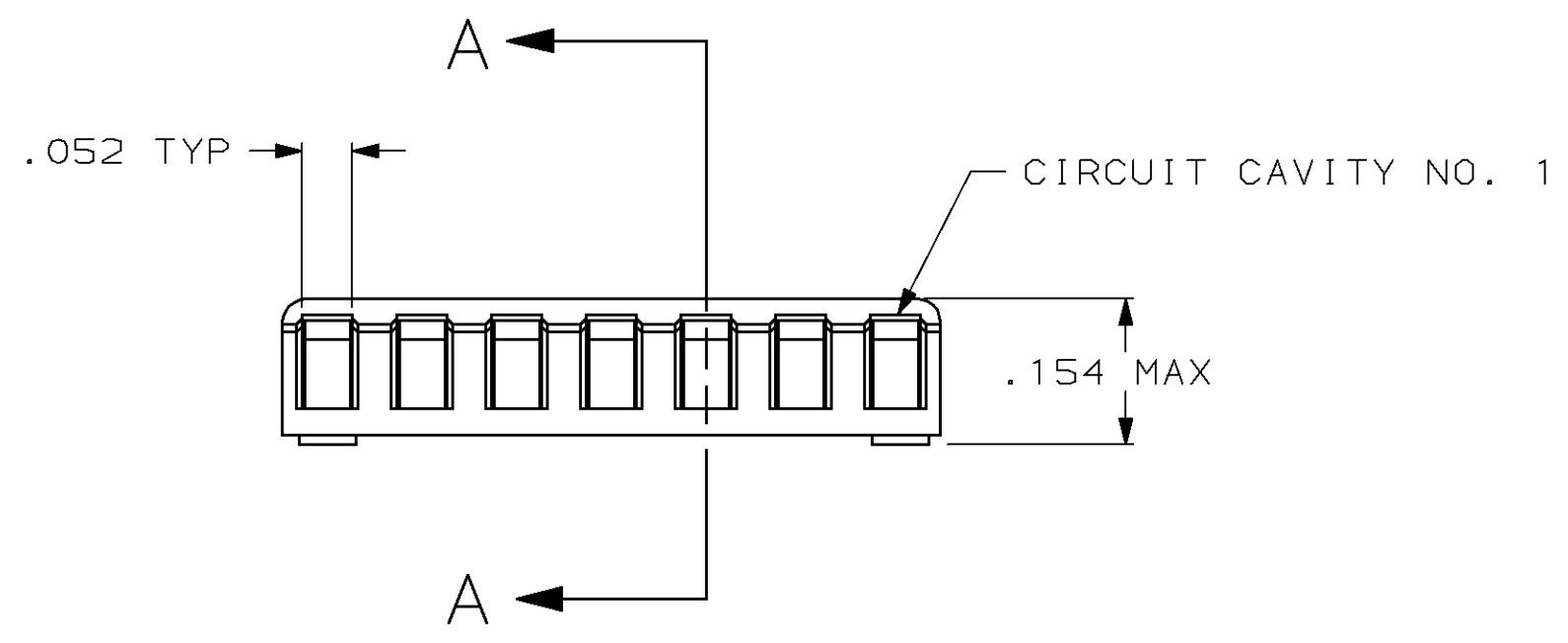
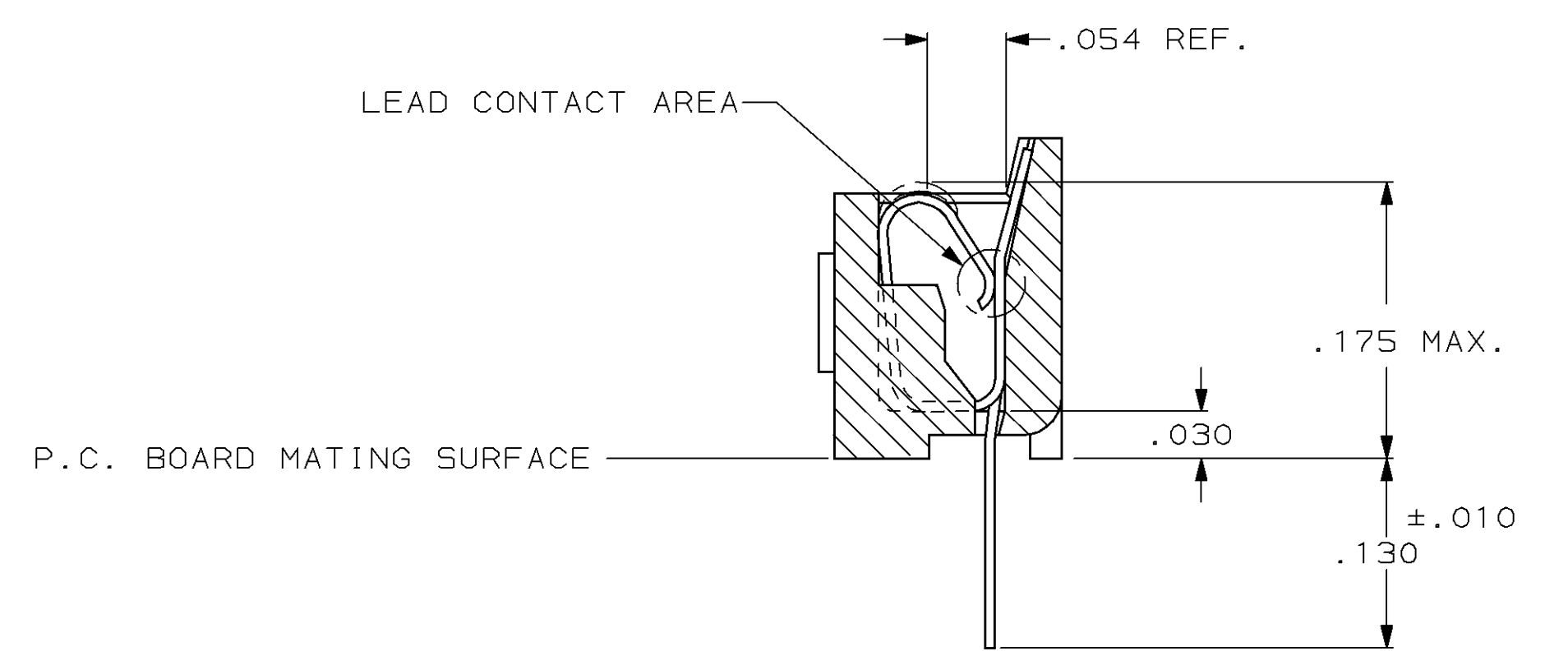


LOC	DIST	REVISIONS			
P	LTR	DESCRIPTION	DATE	OWN	APVD
A		REV PER EC 0320-138-97	28 APR 97	BC	GJ
B		REV PER EC 0330-35-97	21 JUL 97	DH	GJ



1. RECEPTACLE ACCEPTS AN .008-.014 THK. I.C. LEAD.



TINNED	PHOS.BRZ.	GLASS-FILLED THERMOPLASTIC, 94V-0, BLACK	382441-3
TINNED	BE.CU.	GLASS-FILLED THERMOPLASTIC, 94V-0, BLACK	382441-1
CONTACT FINISH	CONTACT MAT'L	HOUSING MATERIAL	PART NO.

THIS DRAWING IS A CONTROLLED DOCUMENT.		DWN K. SALMON 24 JAN 90	AMP Incorporated Harrisburg, PA 17105-3508
DIMENSIONS IN INCHES		CHK R. MILLER 26 JAN 90	NAME R. PRIDDY 25 JAN 90
TOLERANCES UNLESS OTHERWISE SPECIFIED:		PRODUCT SPEC	SOCKET ASSY, SIP, 7 POS, DIPLOMATE™ DL
0 PLC	±-	108-1066	RESTRICTED TO
1 PLC	±-	APPLICATION SPEC	
2 PLC	±-	114-1049	
3 PLC	±.005	WEIGHT	
4 PLC	±-	A1 00779	
ANGLES	±-	SCALE	5:1
FINISH	SEE TABLE	SHEET	1 OF 1
MATERIAL SEE TABLE		CUSTOMER DRAWING	REV B