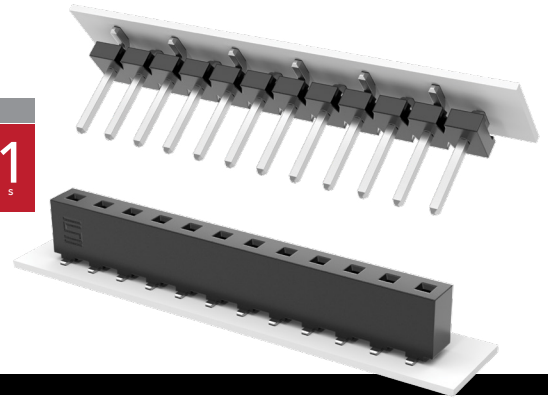


# POWER HEADERS, STACKERS & SOCKETS

MAX  
16.1  
A m p s



(5.08 mm) .200" PITCH • HPM, HPW, HPF SERIES

**HPM, HPW**  
Board Mates:  
HPF

**HPF**  
Board Mates:  
HPM, HPW

## SPECIFICATIONS

**Insulator Material:**  
HPW/HPM = Glass Filled Polyester (Through-hole), Natural Liquid Crystal Polymer (Surface Mount)  
HPF = Black LCP  
**Terminal Material (HPM/HPW):**  
Copper Alloy  
**Contact Material (HPF):**  
BeCu  
**Plating:**  
Sn over 50 μ" (1.27 μm) Ni  
**Operating Temp Range:**  
-55 °C to +105 °C  
**Voltage Rating:**  
HPM/HPF = 850 VAC/1202 VDC  
**Insertion Depth (HPF):**  
(3.68 mm) .145" to (8.26 mm) .325" (.368" (9.35 mm) plus board thickness minimum for bottom entry)  
**Wiping Distance (HPF):**  
(0.38 mm) .015"

## PROCESSING

**Lead-Free Solderable:**  
HPW-VS, HPM-VS, HPF = Yes  
HPM -TH, HPM -RA & HPW -TH = No, Lead Wave only  
**SMT Lead Coplanarity:**  
HPM = (0.20 mm) .008" max (02-15)\*  
HPM = (0.25 mm) .010" max (16-20)\*  
HPW = (0.20 mm) .008" max\*  
HPF = (0.15 mm) .006" max (02-10)\*  
HPF = (0.20 mm) .008" max (11-20)\*  
\*(.004" stencil solution may be available; contact ipg@samtec.com)

**Note:**  
Some lengths, styles and options are non-standard, non-returnable.

| HPM | NO. OF PINS | LEAD STYLE | PLATING OPTION | S | TAIL OPTION | OTHER OPTION |
|-----|-------------|------------|----------------|---|-------------|--------------|
|-----|-------------|------------|----------------|---|-------------|--------------|

High Temp High Power Header

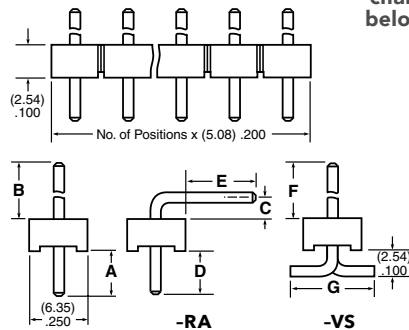
01 thru 20

Specify LEAD STYLE from chart below

-T = Matte Tin

Leave blank for Through-hole  
-RA = Right-angle (-02 & -04 lead style only)  
-VS = Surface Mount (2 pins/row minimum) (-01 & -02 lead style only)

-P = Pick & Place Pad (3 Pos. min.) (-VS only) (Not Available with -05 lead style)



| LEAD STYLE | A           | B            | C           | D           | E            | F            | G           |
|------------|-------------|--------------|-------------|-------------|--------------|--------------|-------------|
| -01        | (4.57) .180 | (11.94) .470 | -           | -           | -            | (10.72) .422 | (8.64) .340 |
| -02        | (4.57) .180 | (13.21) .520 | (2.54) .100 | (4.57) .180 | (8.08) .318  | (12.24) .482 | (8.38) .330 |
| -04        | (4.09) .161 | (21.06) .829 | (4.95) .195 | (3.96) .156 | (13.82) .544 | -            | -           |
| -05        | (4.57) .180 | (3.81) .150  | -           | -           | -            | -            | -           |

| HPW | NO. OF PINS | 04 | PLATING OPTION | S | STACK HEIGHT | POST HEIGHT | OTHER OPTIONS |
|-----|-------------|----|----------------|---|--------------|-------------|---------------|
|-----|-------------|----|----------------|---|--------------|-------------|---------------|

High Temp High Power

02 thru 20

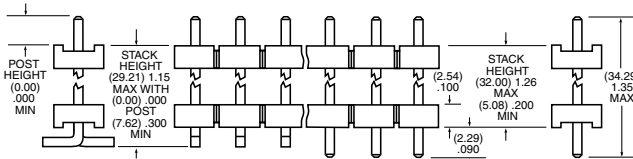
-T = Matte Tin

- "XXX" = Stacker Height (in inches) (0.13 mm) .005" increments

- "XXX" = Post Height (in inches)

Leave blank for Through-hole  
-VS = Surface Mount (2 pins/row minimum)

-P = Pick & Place Pad (3 Pos. min.) (6.98 mm) .275" max. post height (-VS only)



| HPF | NO. OF PINS | LEAD STYLE | PLATING OPTION | S | OTHER OPTIONS |
|-----|-------------|------------|----------------|---|---------------|
|-----|-------------|------------|----------------|---|---------------|

02 thru 20

-01 = Through-hole  
-02 = Surface Mount

-T = Matte Tin

-LC = Locking Clip (Manual placement required) (-02 lead style only)

-TR = Tape & Reel Packaging (14 positions max.) (Style -02 only)

-K = (6.50 mm) .256" DIA Polyimide film Pick & Place Pad

-FR = Full Reel Tape & Reel (must order max. quantity per reel; contact Samtec for quantity breaks) (14 positions max.) (Style -02 only)

