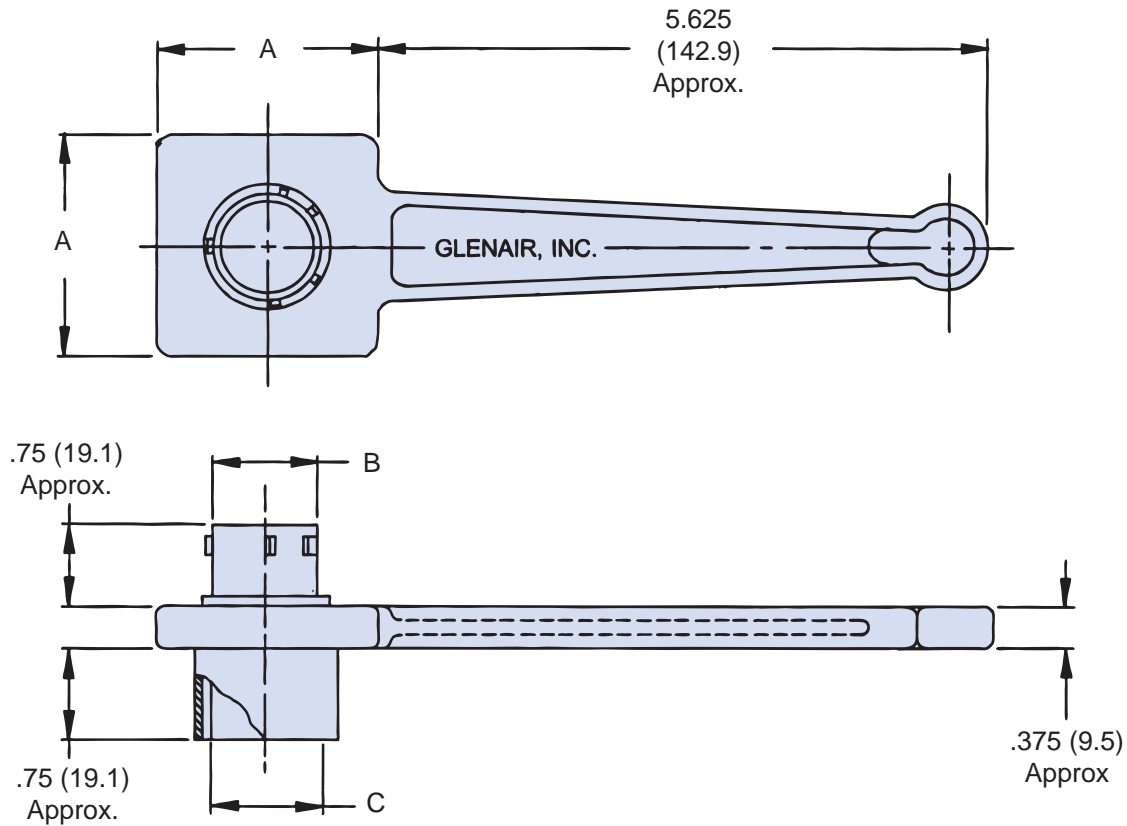
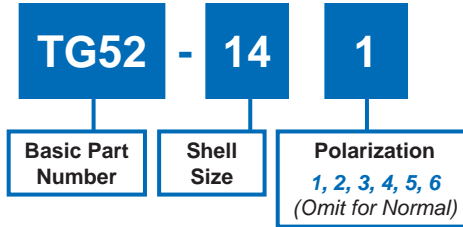


# TG52 Connector Wrench MIL-C-81511 Series II & IV



**TABLE I: Shell Size and Dimensions**

Shell Size	A Dim ± .062 (1.6)	B Dia Ref	C Dia Ref
<b>8</b>	1.250 (31.8)	.382 (9.7)	.386 (9.8)
<b>10</b>	1.250 (31.8)	.507 (12.9)	.511 (13.0)
<b>14</b>	2.000 (50.8)	.757 (19.2)	.761 (19.3)
<b>16</b>	2.000 (50.8)	.883 (22.4)	.887 (22.5)
<b>18</b>	2.000 (50.8)	1.007 (25.6)	1.011 (25.7)

**APPLICATION NOTES**

1. Metric dimensions (mm) are indicated in parentheses.
2. Material: Aluminum alloy with electroless nickel finish.

Dimensions in inches (millimeters) and are subject to change without notice.