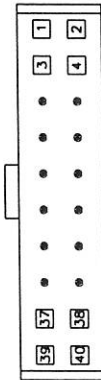


FIM 998089

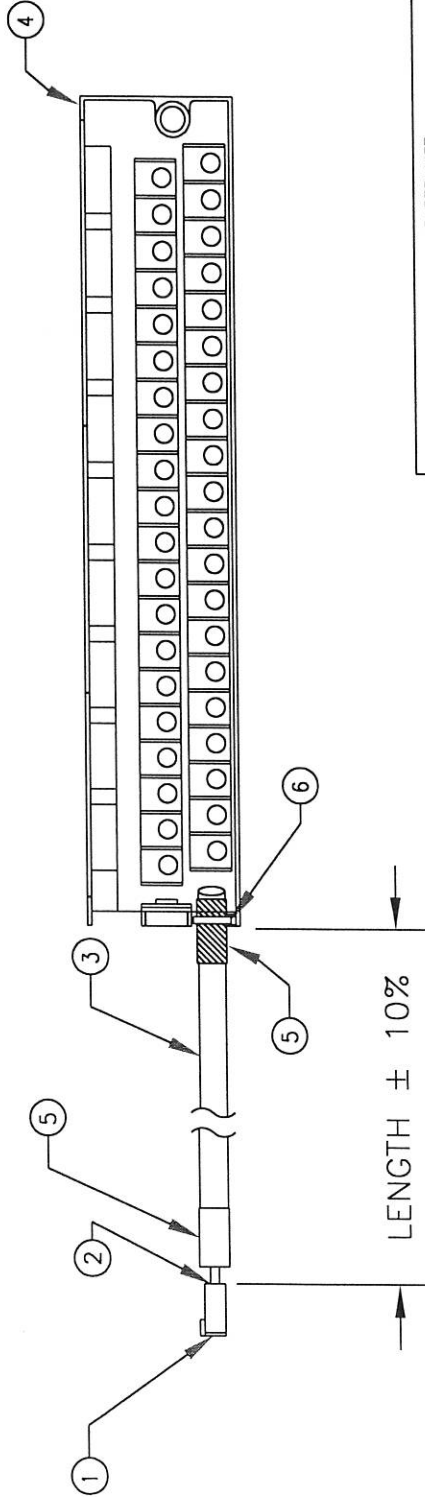
REV. DESCRIPTION		DATE	CMPLT. BY	APPRV.
REV.				

GE TERMINAL BLOCK
PIN NUMBERS

2	1
4	3
6	5
8	7
10	9
12	11
14	13
16	15
18	17
20	19
22	21
24	23
26	25
28	27
30	29
32	31
34	33
36	35
38	37
40	39



CRIMP AND POKE CONNECTOR
PIN NUMBERS
(WIRE INSERTION SIDE)



NOTES:

1. CUT CABLE AND STRIP CONDUCTORS AS REQUIRED TO ACHIEVE LENGTH SPECIFIED IN TABLE.
2. CUT UNUSED WIRE ENDS BACK TO THE JACKET BEFORE HEATING SHRINK TUBING.

CATALOG NO.	LENGTH (m)
998090	0.5
998091	1.0
998092	1.5
998093	2.0

PARTS LIST		
BUB. #	DESCRIPTION	QTY.
1	CONNECTOR, 40-PIN, FEMALE	1
2	CRIMP AND POKE TERMINAL	40
3	CABLE, 40-COND, 22AWG	A/R
4	TERMINAL BLOCK, IC697ACC700	1
5	SHRINK TUBING	100mm
6	TIE WRAP, NYLON, 4"	6

CAT. NO. VARIOUS
DRWN BY DLC
APPROVED

Weidmüller
WEIDMULLER INC.
821 SOUTHLAKE BLVD.
RICHMOND, VIRGINIA 23236

TITLE

FPA/C 697MDL753

TOLERANCE ON :
x = +/- 0.508 mm
.xx = +/- 0.254 mm
.xxx = +/- 0.127 mm
+ = +/- .30
UNLESS OTHERWISE SPECIFIED ALL DIMENSIONS ARE IN MILLIMETERS
() INDICATES REFERENCE DIMENSIONS

PROPRIETARY RIGHTS :
THIS DOCUMENT INCLUDES DESIGN AND ENGINEERING CONCEPTS WHICH INVOLVE PROPRIETARY AND CONFIDENTIAL INFORMATION OF WEIDMULLER INC. AND THE DOCUMENT OR ITS CONTENTS MAY NOT BE DISCLOSED TO OTHERS, REPRODUCED, COPIED, OR USED WITHOUT WRITTEN AUTHORITY FROM WEIDMULLER INC. IN RICHMOND, VIRGINIA.

DISTRIBUTION: P/N DWG. PROD. INSP. OTHER

REL. DATE
1/28/98

PRODUCTION RELEASE PAGE 1 SCALE: DO NOT SCALE

DRAWING NUMBER
1100385

SIZE: A SHEET 1 of 2

REV. 0