

DESCRIPTION

Fail-Safe's hospital patient room fixture - the MPR removes lighting elements from walls incorporating them into a multi-compartment ceiling fixture. Sections provide independent task illumination: patient reading light using (1) 40W biaxial lamp puts the light at the head of the bed for patient use; ambient room light using (2) 40W biaxial lamps provides soft illumination via perforated wings while shielding direct source glare; examination light uses (3) 40W biaxial lamps and focuses high intensity illumination to torso for maximum patient appraisal with minimal wattage consumption. Also available with 50W biaxial lamps.

Catalog #		Type
Project		
Comments		Date
Prepared by		

SPECIFICATION FEATURES

Construction

20-gauge CRS housing is fabricated for maximum strength and stability.

Mounting

Recessed Grid or Flange. Surface mount available.

Finish

High gloss, electrostatically applied, white powder coat finish, average minimum reflectance 92%.

Shielding

Reading: Die-formed aluminum lamp shield.
Ambient: Formed perforated metal.
Exam: 0.125" Pattern 12 Acrylic lens.

Lamps

By others: 40W or 50W biaxial lamps. Each compartment is designed to provide a specific illumination function while allowing for commonality of branch circuit feeding. High efficiency biaxial lamps provide excellent color rendering ability and high lumen output.

Ballast

Electronic Class P, CBM/ETL ballast.

Labels

UL/cUL listed for damp locations.



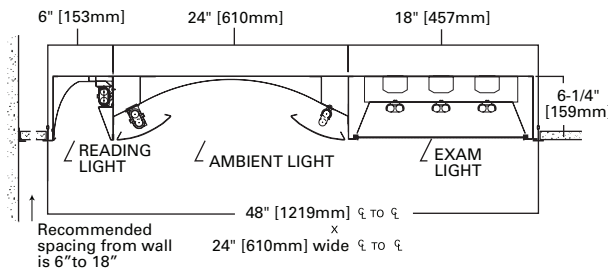
MPR2



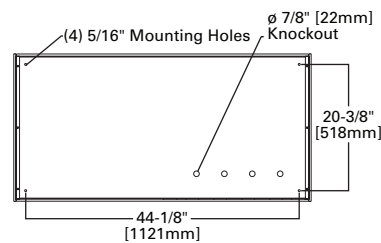
MPR

DIMENSIONS

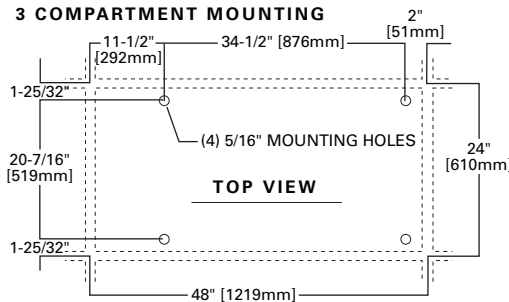
2' x 4', 3 COMPARTMENT DIMENSIONS



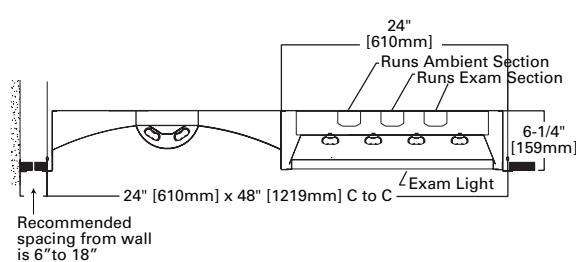
2' x 4', 2 COMPARTMENT MOUNTING



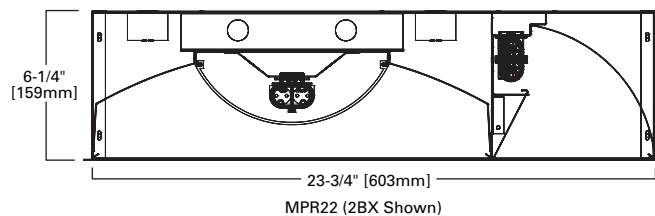
3 COMPARTMENT MOUNTING



2 COMPARTMENT DIMENSIONS



2' x 2' DIMENSIONS



**MPR
MPR2**

2x2
2x4
Biaxial
Fluorescent
Healthcare: Patient

RECESSED FLANGE
RECESSED GRID

ENERGY DATA

Input Watts:

Electronic Ballasts and
Standard Lamps

(6) 40W Biaxial Fluorescents: 204W
(6) 50W Biaxial Fluorescents: 264W

ORDERING INFORMATION

SAMPLE NUMBER: MPR-G-640BX-120-EBX3

Product Family
MPR2= 2' x 4', 2 Compartment
 Medical Patient
 Room Recessed
 Luminaire Exam
 & Ambient Section
MPR = 2' x 4', 3 Compartment
 Medical Patient
 Room Recessed
 Luminaire Reading,
 Exam & Ambient Section
MPR22= 2' x 2', Fixture
 2 Compartment,
 Reading & Ambient

Ceiling Type
G=Grid
S=Surface

For flange (hard ceiling) applications,
 choose the following:

- 2' x 2': DFCL2424W-U ¹²
- 2' x 4': DFCL2448W-U ¹²

Lamp Type
Biaxial Fluorescent
240BX=(2) 40W Biaxial Lamps ⁹
340BX=(3) 40W Biaxial Lamps ⁹
540BX=(5) 40W Biaxial Lamps ⁵
550BX=(5) 50W Biaxial Lamps ⁵
640BX=(6) 40W Biaxial Lamps
650BX=(6) 50W Biaxial Lamps
740BX=(7) 40W Biaxial Lamps ⁴

Voltage
120=120V
277=277V
347=347V
UNV=120V-277V

Ballast
EBX1=(1) Ballast for use with
 biaxial lamps ¹⁰
EBX2=(2) Ballasts for use with
 biaxial lamps ¹⁰
EBX3=(3) Ballasts for use with
 biaxial lamps
EBX4=(4) Ballasts for use with
 biaxial lamps ¹

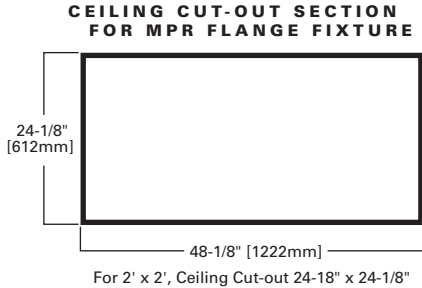
Ambient Options ⁸
 If no option is chosen,
 then Standard 2 Basket
 Ambient will be provided.
SCPB=Single Perf
 Basket Centered
SSCB=Single Acrylic
 Basket

Options
EL4=EM Pack, BX
FNL=Fluorescent
 Night Light ^{4, 10}
GLR=Fuse and Holder
RIF=Radio Interference Filter
LVRELAY=Low Voltage
 Relay ^{2, 6, 7}
AM=Antimicrobial Finish
 (all painted parts)

NOTES:

- 1 50BX ballast only available in 1 and 2 lamp configurations.
- 2 The switching device is to be a normally-open, momentary contact switch. Activation of the contact provides the following illumination scenarios: Ambient only - on, Reading only - on, Ambient and Reading - on, Ambient and Reading - off. Other switching options available. Consult factory.
- 3 n/a
- 4 740BX consists of 4 biaxial lamps in exam module, 2 biaxial lamps in the 2-basket ambient module, 1 biaxial lamp in the reading module.
- 5 540BX, 550BX available with MPR 2 only.
- 6 MPR2 illumination scenarios: Ambient only -on, Exam only -on, Ambient and Exam -on, Ambient and Exam -off.
- 7 Must specify voltage.
- 8 SCPB or SSCB must be chosen for MPR22 2' x 2' fixture.
- 9 240BX: (1) lamp reading, (1) lamp ambient. 340BX: (1) lamp reading, (2) lamp ambient.

CEILING CUT-OUT DIMENSIONS



MATRIX

MAX # OF LAMPS	MPR	MPR2	MPR22
40W	7	6	3
50W	6	6	3