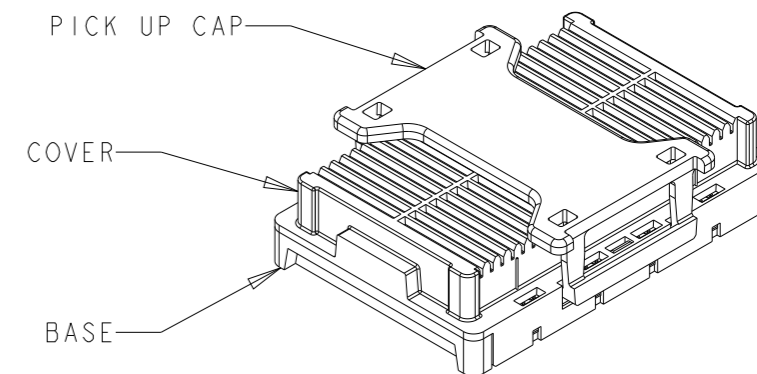
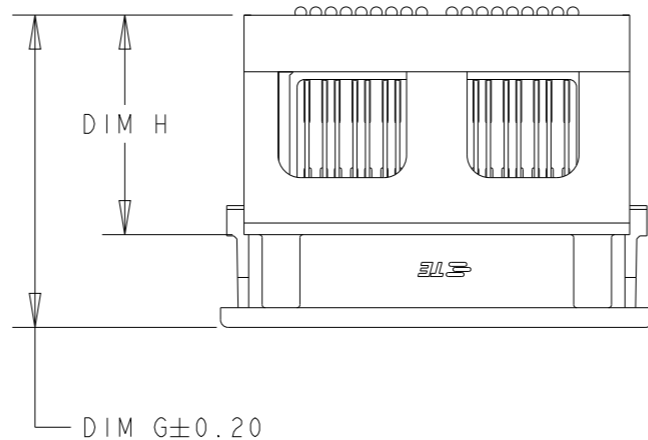
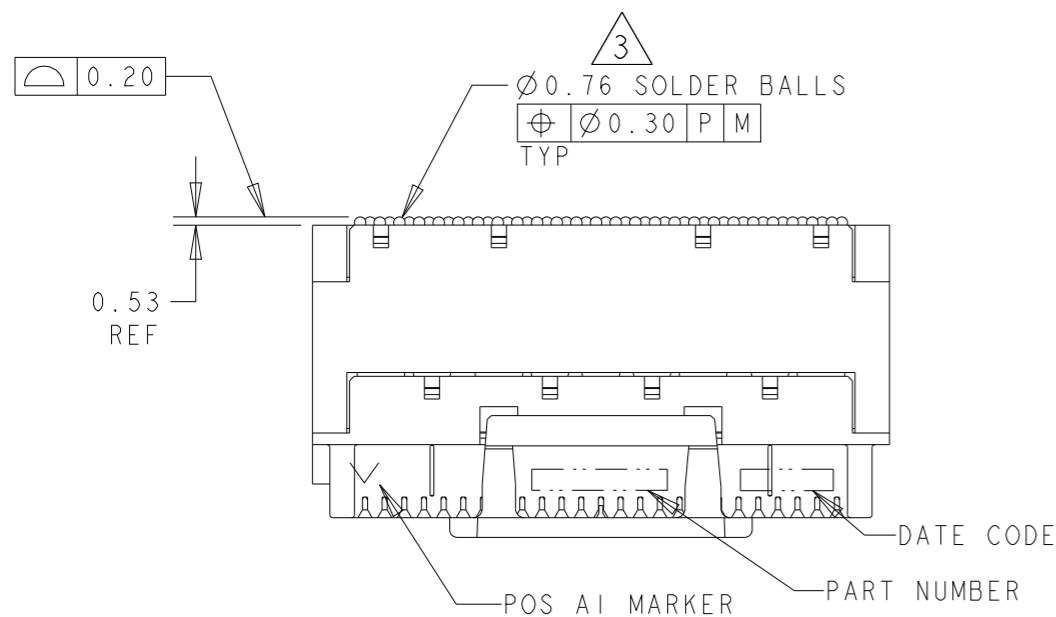


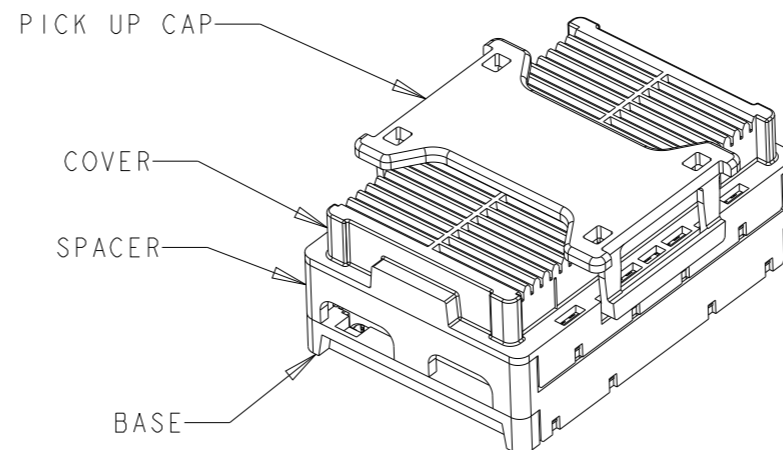
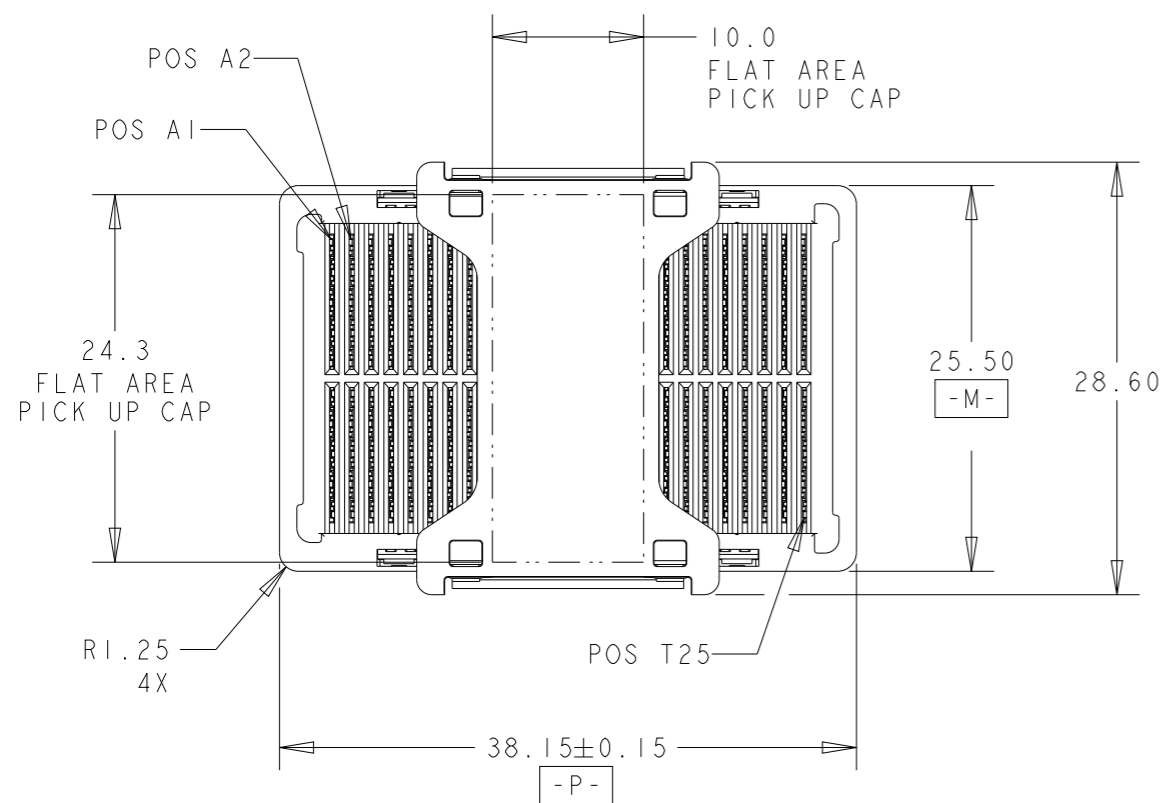
P	LTR	DESCRIPTION	DATE	DWN	APVD
A6		REVISED PER ECO-20-017117	26APR2021	AP	RW
A7		REVISED PER ECN-22-160121	04JAN2023	NV	HL



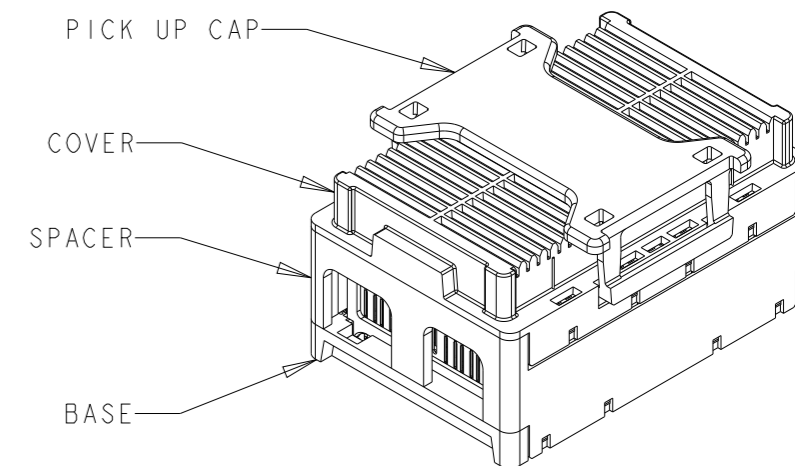
ISOMETRIC VIEW
TYPICAL CONFIGURATION
FOR 5mm ASSEMBLY
SCALE 3:2

TYPICAL ASSEMBLY

15mm SHOWN
SCALE 2:1



ISOMETRIC VIEW
TYPICAL CONFIGURATION
FOR 11mm ASSEMBLY
SCALE 3:2



ISOMETRIC VIEW
TYPICAL CONFIGURATION
FOR 15mm ASSEMBLY
SCALE 3:2

THIS DRAWING IS A CONTROLLED DOCUMENT.		DWN P BRANDBERG 21DEC04	TE Connectivity	
DIMENSIONS: mm		CHK D WERTZ 05JAN05		
TOLERANCES UNLESS OTHERWISE SPECIFIED:		APVD D WERTZ 05JAN05	NAME STEP-Z, RECEPTACLE ASSEMBLY, 200 SIGNAL POSITION	
0 PLC ±- 1 PLC ±0.3 2 PLC ±0.10 3 PLC ±0.050 4 PLC ±- ANGLES ±2°		PRODUCT SPEC 108-2143	SIZE A3	
MATERIAL 1		APPLICATION SPEC 114-13101	CAGE CODE 00779	DRAWING NO G-1761615
FINISH 2		WEIGHT -	RESTRICTED TO	
		CUSTOMER DRAWING	SCALE 2:1	SHEET 1 OF 6
				REV A7

REVISIONS

P	LTR	DESCRIPTION	DATE	DWN	APVD
	-	SEE SHEET 1	-	-	-

1 MATERIAL:
 BASE, SPACER, COVER: THERMOPLASTIC
 PICK UP CAP: THERMOPLASTIC
 CONTACT: COPPER ALLOY
 SOLDER BALL: Sn/Pb FOR P/N 1761615-1 THRU 5-1761615-0
 Sn/Ag FOR P/N 5-1761615-1 THRU 9-1761615-9

2 FINISH:
 CONTACT: 0.00076 MIN GOLD OVER 0.00127 MIN NICKEL.
 (30µ" MIN GOLD OVER 50µ" MIN NICKEL)

3 SOLDER BALLS WILL NOT BE PERFECT
 SPHERICAL SHAPE DUE TO REFLOW ATTACHMENT.

4 CONTACTS IN ROWS A,C,E,G,J,K,M,P,R, AND T
 ARE SINGLE BEAM CONTACTS,
 TYPICALLY USED AS GROUND PINS.
 (NOTE: CONTACTS IN ROWS J & K ARE TIED
 TOGETHER [COMMONED]).


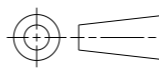
5 CONTACTS IN ROWS B,D,F,H,L,N,Q, AND S
 ARE DUAL BEAM CONTACTS,
 TYPICALLY USED AS SIGNAL PINS.

6 SPECIFIED POSITIONAL TOLERANCE DEFINES PAD TO PAD
 LOCATION WITHIN LAND PATTERN. POSITIONAL TOLERANCE
 OF LAND PATTERN TO FUDICIAL MARKS OR PCB DATUMS
 SHALL BE DEFINED BY CUSTOMER. FOR RECOMMENDED
 PRODUCT APPLICATION AND PCB DESIGN DETAILS, SEE
 APPLICATION SPEC 114-13101.

7 SOLDER PADS UNUSED, MAY BE OMITTED.

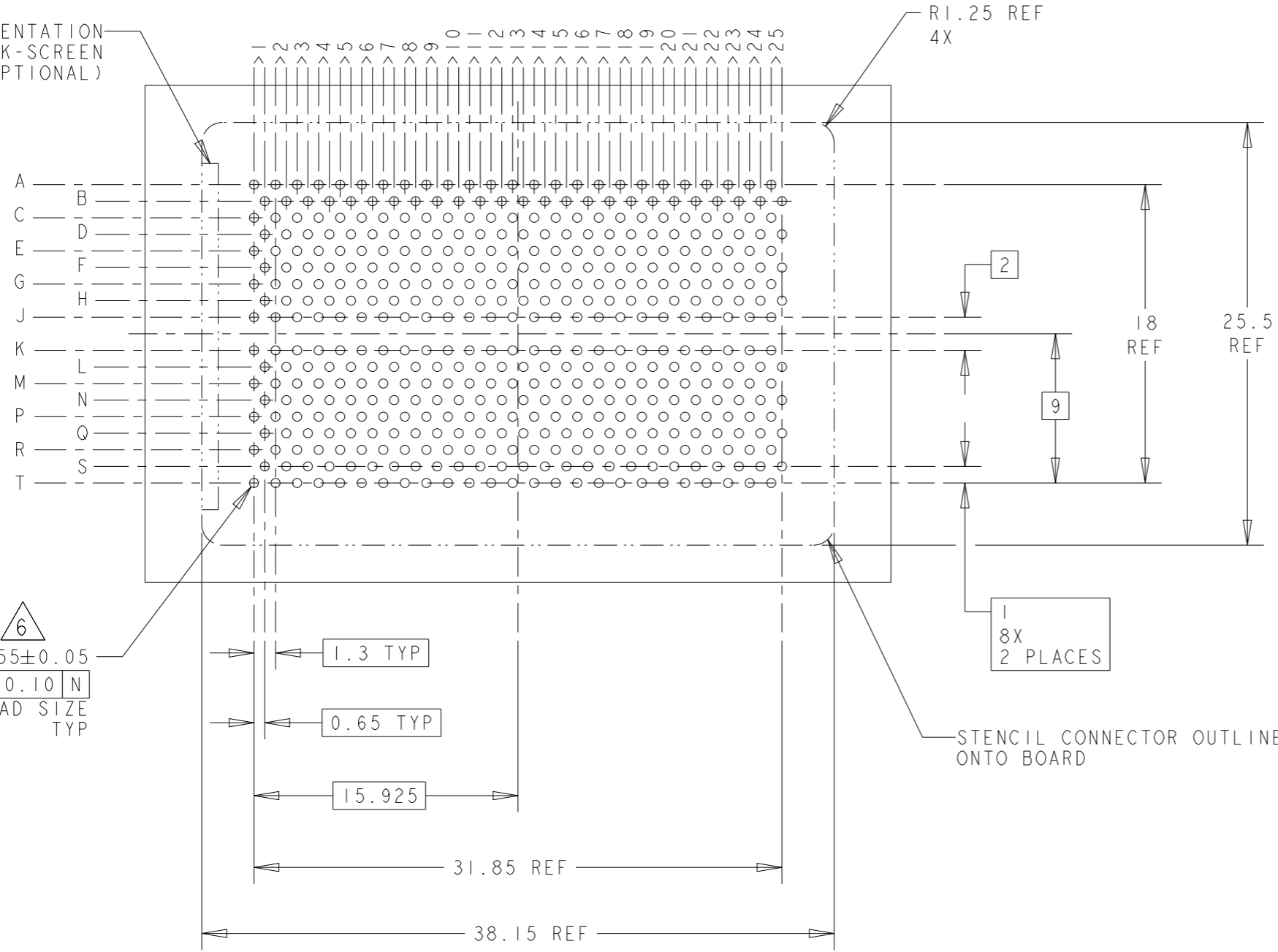
8 REFERENCE BOARD PATTERN FOR DIMENSIONS
 AND DETAILS NOT SHOWN.

	14.51	20.65	SELECT LOAD-112 POSN-SEE VIEW 35	15mm Sn/Ag	8-1761615-5
	14.51	20.65	SELECT LOAD-104 POSN-SEE VIEW 32	15mm Sn/Ag	8-1761615-2
	4.51	10.65	SELECT LOAD-104 POSN-SEE VIEW 31	5mm Sn/Ag	8-1761615-1
	14.51	20.65	FULL LOAD-200 POSN	15mm Sn/Ag	6-1761615-5
	10.51	16.65	FULL LOAD-200 POSN	11mm Sn/Ag	6-1761615-1
	4.51	10.65	FULL LOAD-200 POSN	5mm Sn/Ag	5-1761615-5
OBSOLETE	14.51	20.65	SELECT LOAD-120 POSN-SEE VIEW 33	15mm Sn/Pb	3-1761615-3
	14.51	20.65	SELECT LOAD-104 POSN-SEE VIEW 32	15mm Sn/Pb	3-1761615-2
	4.51	10.65	SELECT LOAD-104 POSN-SEE VIEW 31	5mm Sn/Pb	3-1761615-1
	14.51	20.65	FULL LOAD-200 POSN	15mm Sn/Pb	1-1761615-5
	10.51	16.65	FULL LOAD-200 POSN	11mm Sn/Pb	1-1761615-1
	4.51	10.65	FULL LOAD-200 POSN	5mm Sn/Pb	1-1761615-5
	DIM H	DIM G	LOAD STYLE	DESCRIPTION	PART NUMBER

THIS DRAWING IS A CONTROLLED DOCUMENT.		DWN P BRANDBERG 21DEC04	 TE Connectivity		
DIMENSIONS: mm		CHK D WERTZ 05JAN05			
TOLERANCES UNLESS OTHERWISE SPECIFIED:		APVD D WERTZ 05JAN05	NAME STEP-Z, RECEPTACLE ASSEMBLY, 200 SIGNAL POSITION		
		PRODUCT SPEC 108-2143	SIZE A3		
0 PLC ±- 1 PLC ±0.3 2 PLC ±0.10 3 PLC ±0.050 4 PLC ±- ANGLES ±2°		APPLICATION SPEC 114-13101	CAGE CODE 00779	DRAWING NO 1761615	RESTRICTED TO
MATERIAL		WEIGHT -	SCALE 1:1		
CUSTOMER DRAWING			SHEET 2 OF 6		REV A7

P	LTR	DESCRIPTION	DATE	DWN	APVD
-	-	SEE SHEET 1	-	-	-

KEY ORIENTATION
SILK-SCREEN
(OPTIONAL)



6
 $\varnothing 0.55 \pm 0.05$
 $\varnothing 0.10$ N
 PAD SIZE
 TYP

4 5 **BOARD PATTERN**
SCALE 3:1

THIS DRAWING IS A CONTROLLED DOCUMENT.

DIMENSIONS:	TOLERANCES UNLESS OTHERWISE SPECIFIED:
mm	
	0 PLC ±-
	1 PLC ±0.3
	2 PLC ±0.10
	3 PLC ±0.050
	4 PLC ±-
	ANGLES ±2°
MATERIAL	FINISH

DWN	P BRANDBERG	21DEC04
CHK	D WERTZ	05JAN05
APVD	D WERTZ	05JAN05
PRODUCT SPEC	108-2143	
APPLICATION SPEC	114-13101	
WEIGHT	-	

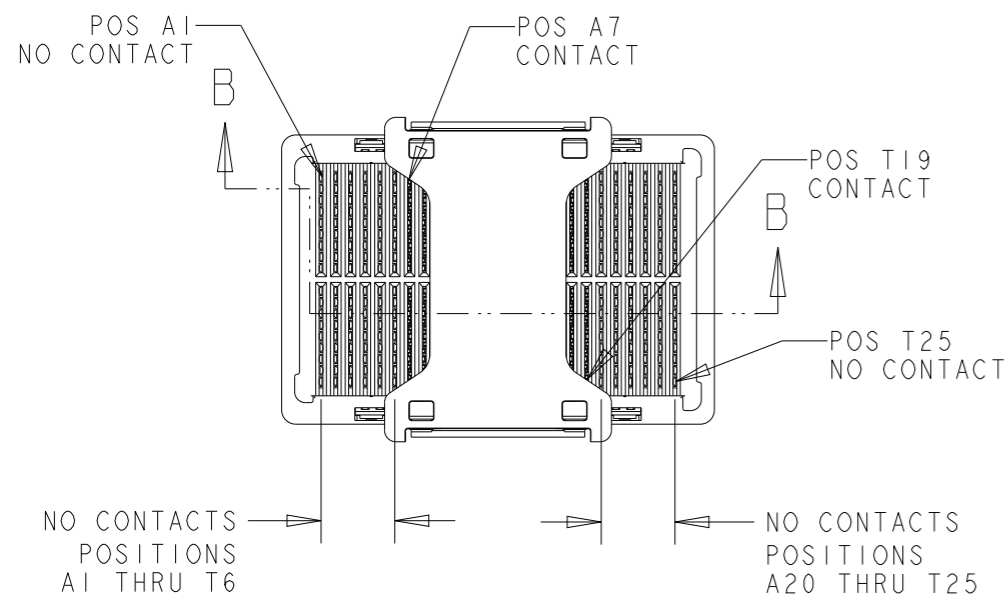
STE TE Connectivity

NAME: STEP-Z, RECEPTACLE ASSEMBLY, 200 SIGNAL POSITION

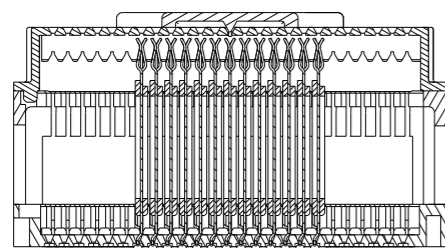
SIZE	CAGE CODE	DRAWING NO	RESTRICTED TO
A3	00779	C-1761615	

CUSTOMER DRAWING SCALE 1:1 SHEET 3 OF 6 REV A7

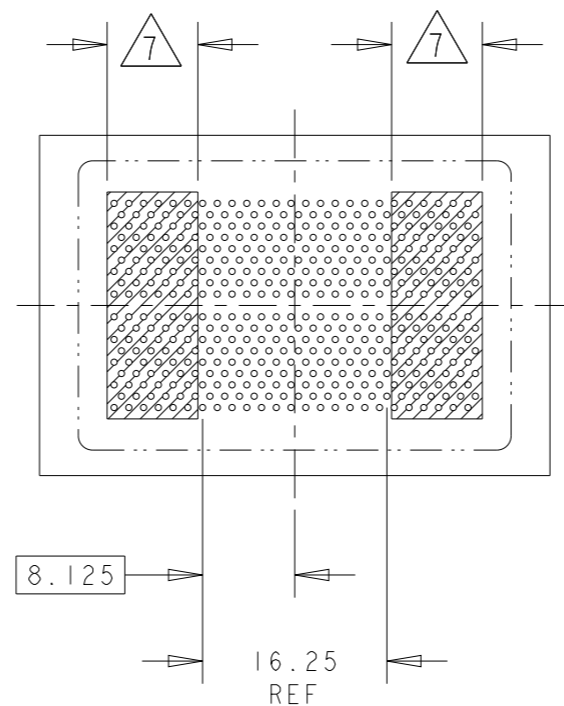
P	LTR	DESCRIPTION	DATE	DWN	APVD
-	-	SEE SHEET 1	-	-	-



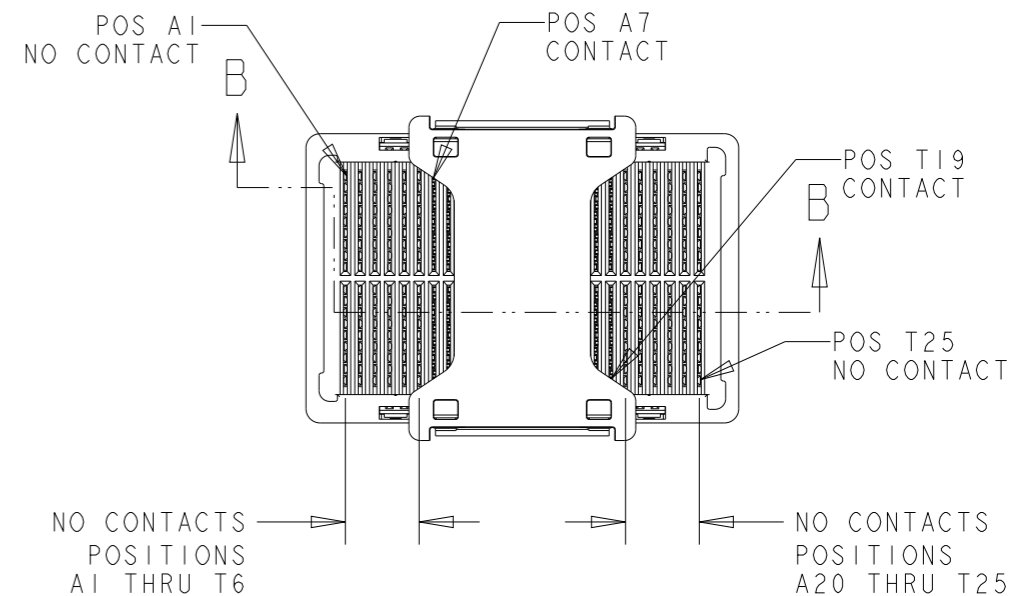
VIEW 32
SELECT LOAD 15mm 104 POSITION
SCALE 3:2



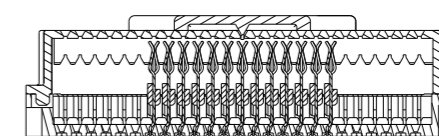
SECTION B-B



VIEW 31 & VIEW 32
SELECT LOAD 104 POSITION
BOARD PATTERN
SCALE 3:2



VIEW 31
SELECT LOAD 5mm 104 POSITION
SCALE 3:2



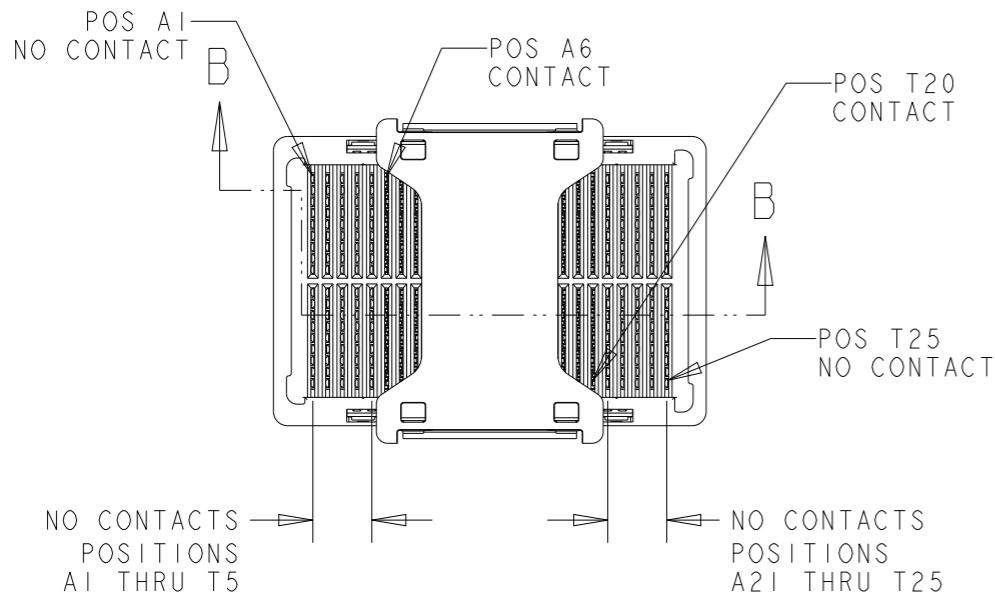
SECTION B-B

THIS DRAWING IS A CONTROLLED DOCUMENT.

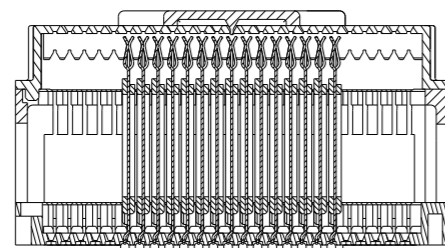
DIMENSIONS: mm	TOLERANCES UNLESS OTHERWISE SPECIFIED:
	0 PLC ±-
	1 PLC ±0.3
	2 PLC ±0.10
	3 PLC ±0.050
	4 PLC ±-
	ANGLES ±2°
MATERIAL	FINISH

DWN P BRANDBERG	21DEC04
CHK D WERTZ	05JAN05
APVD D WERTZ	05JAN05
PRODUCT SPEC	108-2143
APPLICATION SPEC	114-13101
WEIGHT	-

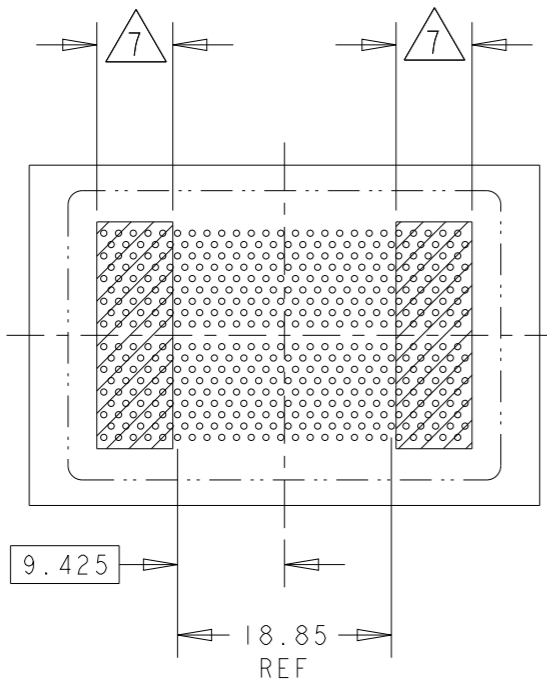
		NAME	
		STEP-Z, RECEPTACLE ASSEMBLY, 200 SIGNAL POSITION	
SIZE	CAGE CODE	DRAWING NO	RESTRICTED TO
A3	00779	C-1761615	



VIEW 33
SELECT LOAD 15mm 120 POSITION
SCALE 3:2



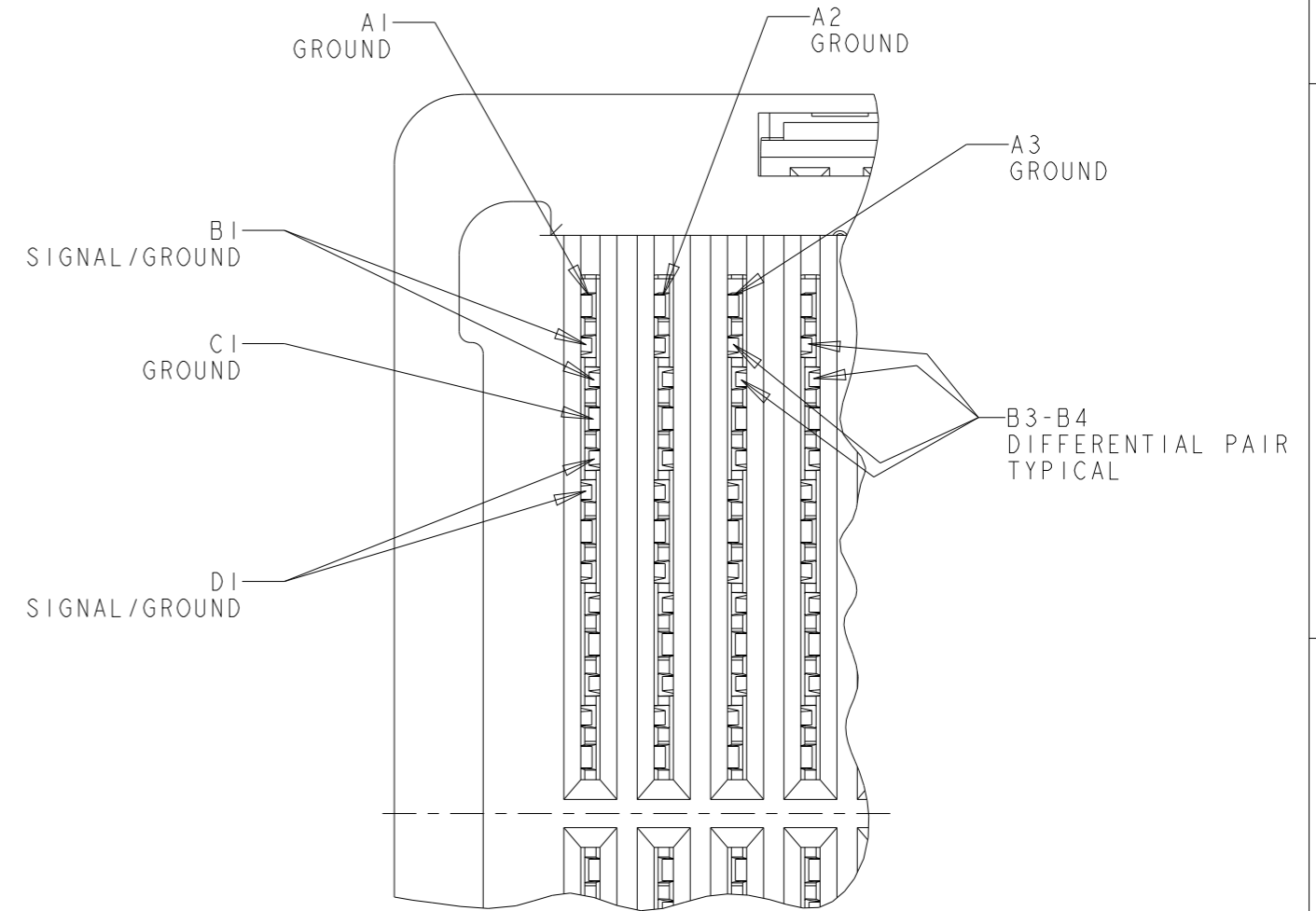
SECTION B-B



VIEW 33
SELECT LOAD 120 POSITION
BOARD PATTERN
SCALE 3:2

REVISIONS

P	LTR	DESCRIPTION	DATE	DWN	APVD
-	-	SEE SHEET 1	-	-	-

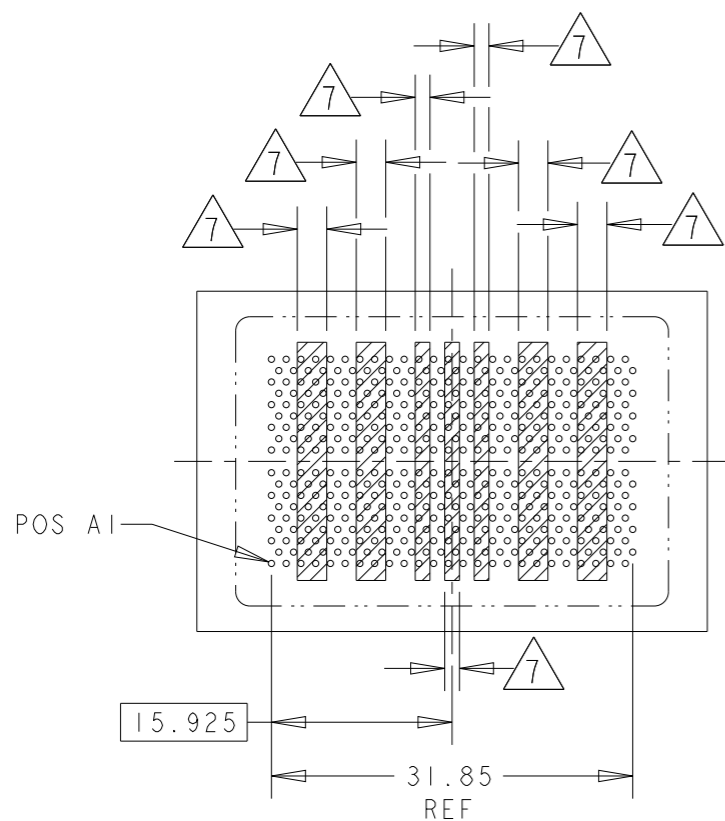
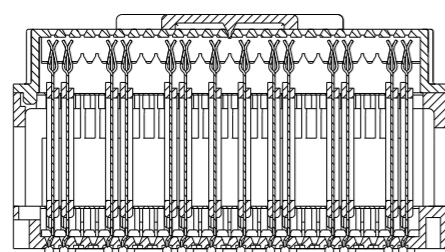
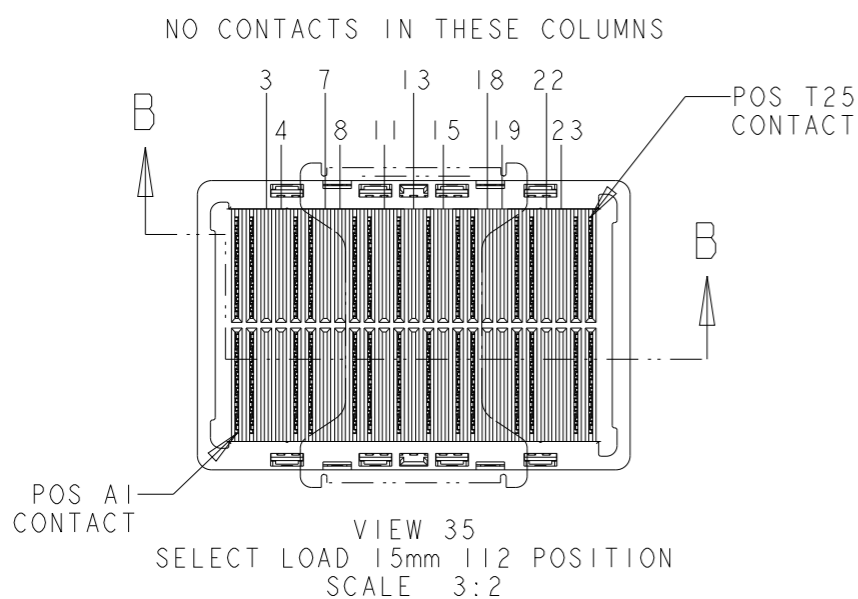


RECEPTACLE INTERFACE

SCALE 8:1

THIS DRAWING IS A CONTROLLED DOCUMENT.		DWN P BRANDBERG 21DEC04		
DIMENSIONS: mm		CHK D WERTZ 05JAN05		
TOLERANCES UNLESS OTHERWISE SPECIFIED:		APVD D WERTZ 05JAN05	NAME STEP-Z, RECEPTACLE ASSEMBLY, 200 SIGNAL POSITION	
<ul style="list-style-type: none"> 0 PLC ±- 1 PLC ±0.3 2 PLC ±0.10 3 PLC ±0.050 4 PLC ±- ANGLES ±2° 		PRODUCT SPEC 108-2143	SIZE A3	
MATERIAL		APPLICATION SPEC 114-13101	CAGE CODE 00779	DRAWING NO C-1761615
FINISH		WEIGHT -	RESTRICTED TO	
		CUSTOMER DRAWING	SCALE 1:1	SHEET 5 OF 6
			REV A7	

P	LTR	DESCRIPTION	DATE	DWN	APVD
-		SEE SHEET 1	-	-	-



THIS DRAWING IS A CONTROLLED DOCUMENT.		DWN P BRANDBERG 21DEC04		
DIMENSIONS: mm		CHK D WERTZ 05JAN05		
TOLERANCES UNLESS OTHERWISE SPECIFIED:		APVD D WERTZ 05JAN05	NAME STEP-Z, RECEPTACLE ASSEMBLY, 200 SIGNAL POSITION	
<ul style="list-style-type: none"> 0 PLC ±- 1 PLC ±0.3 2 PLC ±0.10 3 PLC ±0.050 4 PLC ±- ANGLES ±2° 		PRODUCT SPEC 108-2143	SIZE A3	
MATERIAL		APPLICATION SPEC 114-13101	CAGE CODE 00779	DRAWING NO C-1761615
FINISH		WEIGHT -	RESTRICTED TO	
		CUSTOMER DRAWING	SCALE 2:1	SHEET 6 OF 6
			REV A7	