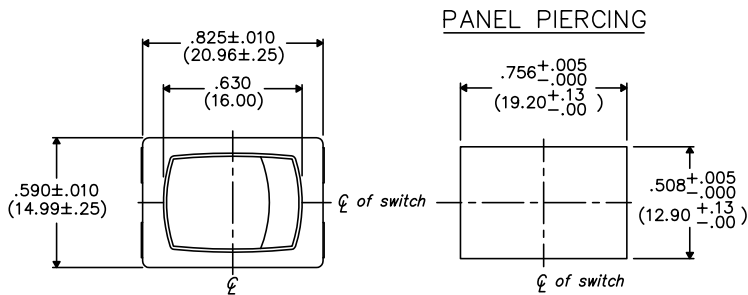


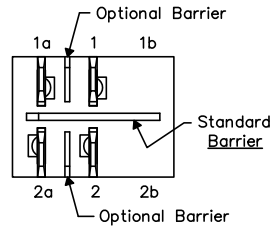
THIS INFORMATION IS CONFIDENTIAL AND PROPRIETARY TO CW INDUSTRIES INCORPORATED AND ITS AFFILIATES. IT MAY NOT BE DISCLOSED TO ANYONE, OTHER THAN CW INDUSTRIES PERSONNEL, WITHOUT WRITTEN AUTHORIZATION FROM CW INDUSTRIES INCORPORATED, SOUTHAMPTON, PENNSYLVANIA USA.

E
D
C
B
A



PANEL PIERCING

OPTIONAL INSULATING BARRIER



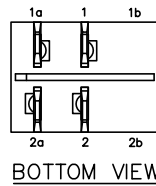
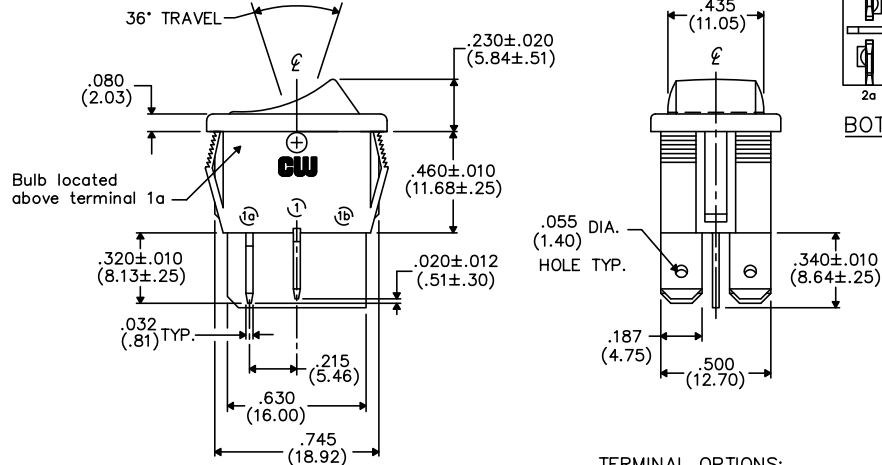
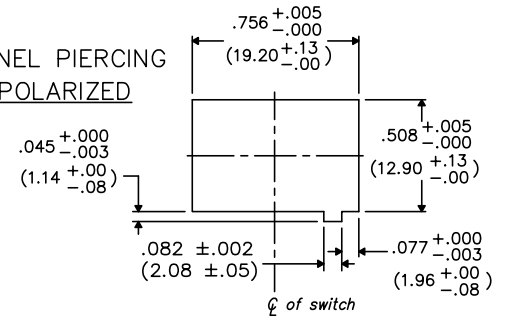
DIMENSIONS IN INCHES (MILLIMETERS)
DO NOT SCALE DRAWING

Dwg. No.
GRL-4021-XXXX

MOUNTING PANEL THICKNESS

Standard—.050" (1.27mm) to .150" (3.81mm).
Optional Mounting Claws for Custom Panel thickness are available.

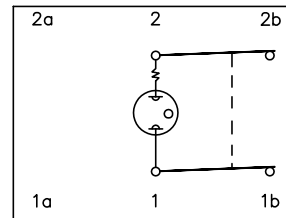
PANEL PIERCING POLARIZED



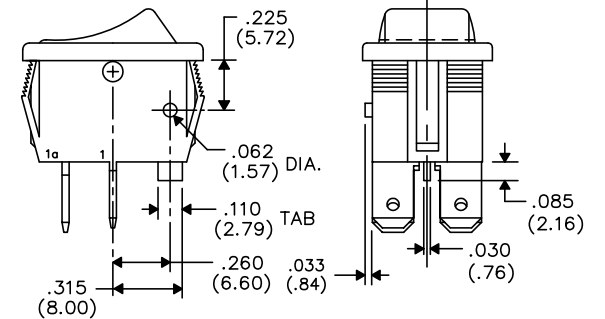
BOTTOM VIEW

TERMINAL OPTIONS:

- .187" (4.75mm) x .032" (.81mm) Solderless
- .110" (2.79mm) x .032" (.81mm) Solderless
- .187" (4.75mm) x .020" (.51mm) Solderless
- .110" (2.79mm) wide with .048" (1.22mm) x .237" (6.02mm) Slot for Soldering



WIRING DIAGRAM SHOWING INTERNAL LAMP CONNECTIONS.



TAB AND POLARIZATION OPTIONS

B-FORMAT 2002

REVISIONS

1 2 3 4 5 6 7 8 9 10

CW INDUSTRIES
Southampton, Pa. 18966

TOLERANCES UNLESS OTHERWISE SPECIFIED
2 Place Decimal ±.010 METRIC
3 Place Decimal ±.005 1 Place Dec. ±.25mm
Angles ±1' 2 Place Dec. ±.13mm

Title: **LIGHTED
ROCKER SWITCH
ASSEMBLY
D.P./S.T.**

Made for: **CW IND.**

Division: **SWITCH**

Drawn by: **DGW 10-28-2010**

Dwg. No.
GRL-4021-XXXX

Checked by:

Approval:

PDF FILE MADE