

3 mm Square SMT Trimmer Potentiometers (Cermet, Sealed Type)

Type: **EVM7J**
EVM7L



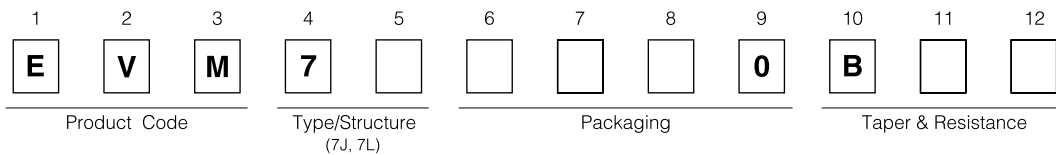
■ Features

- 3 mm square types for flow and reflow soldering
- Cost saving filmless sealed structure
- Automatic adjustment type (EVM7L)
- Approved under the ISO 9001 system
- Conforms to JIS C5261

■ Recommended Applications

- Audio Visual equipment, Office Automation equipment, Communication equipment
- Other general electronic equipment

■ Explanation of Part Numbers



■ Major Specifications

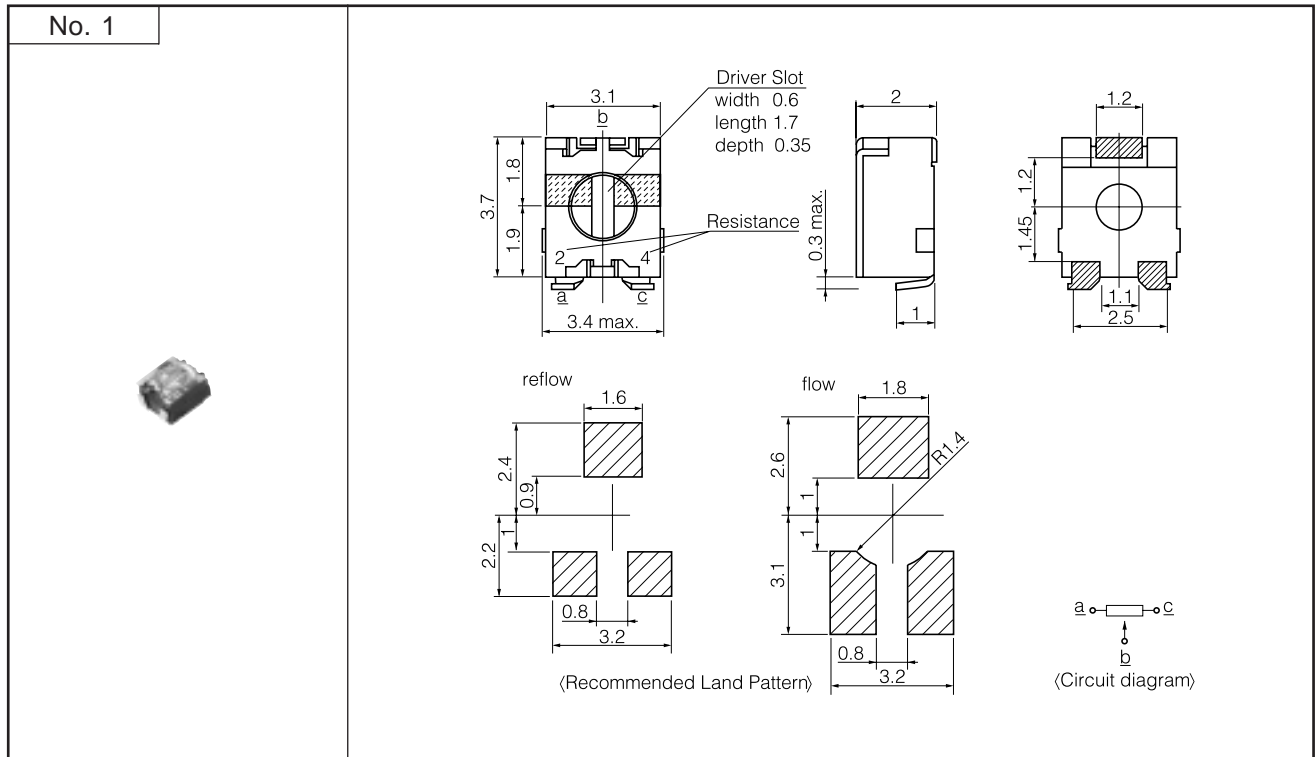
Total Resistance Value	100 Ω to 1 MΩ
Resistance Tolerance	±25 %
Power Rating	0.05 W
Maximum Operating Voltage	15 V
Rotation Torque	1 to 15 mN·m
Temperature Coefficient of Resistance	±250 × 10 ⁻⁶ /°C

■ Minimum Quantity/Packing Unit

Part Number	Taping			Bulk	
	Quantity per reel	Packaging quantity	Dia. of reel (mm)	Quantity per pack	Packaging quantity
EVM7J	1000	4000	φ178	1000	5000
	5000	20000	φ380		
EVM7L	750	3000	φ178		
	4000	16000	φ380		

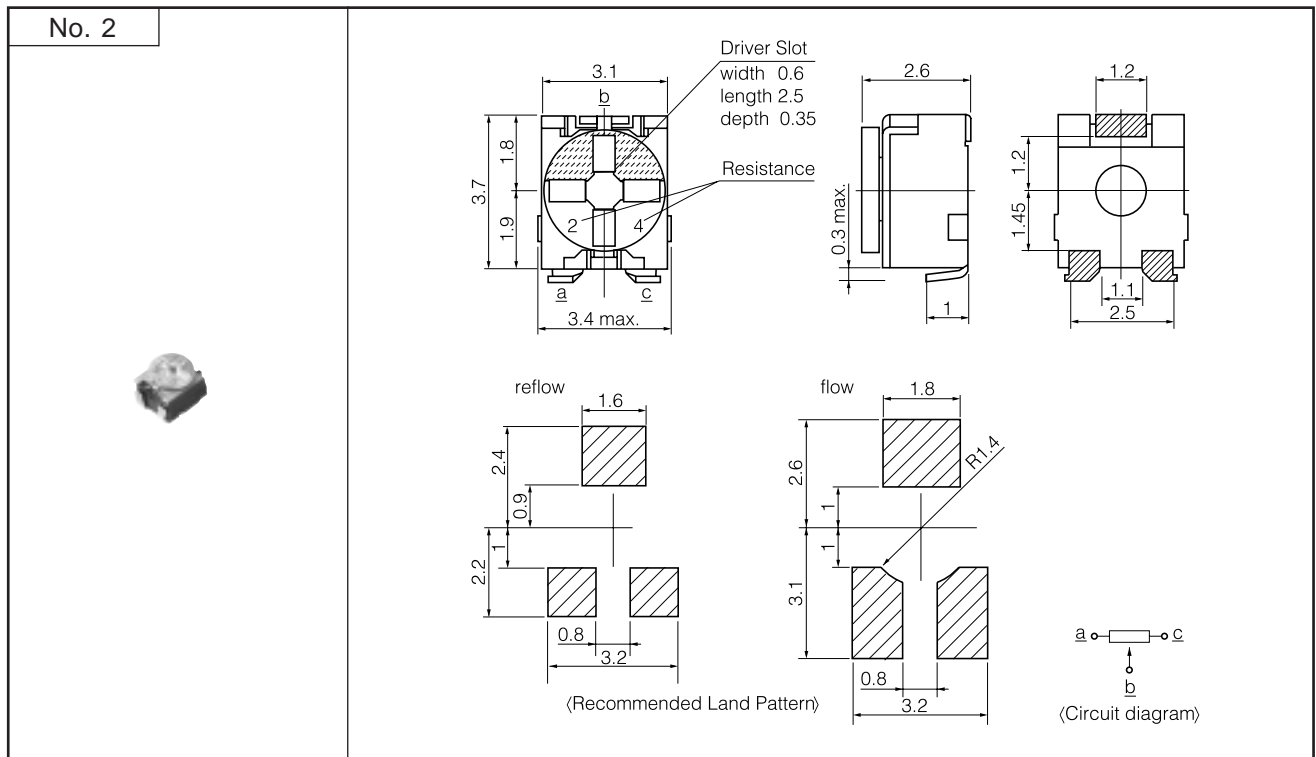
■ Dimensions in mm (not to scale)

● 3-terminal, Filmless Sealed EVM7J



Note: Mounting not possible after trimming knob has been rotated.

● 3-terminal, Filmless Sealed for Automatic Trimming Adjustment EVM7L



Note: Mounting not possible after trimming knob has been rotated.

