

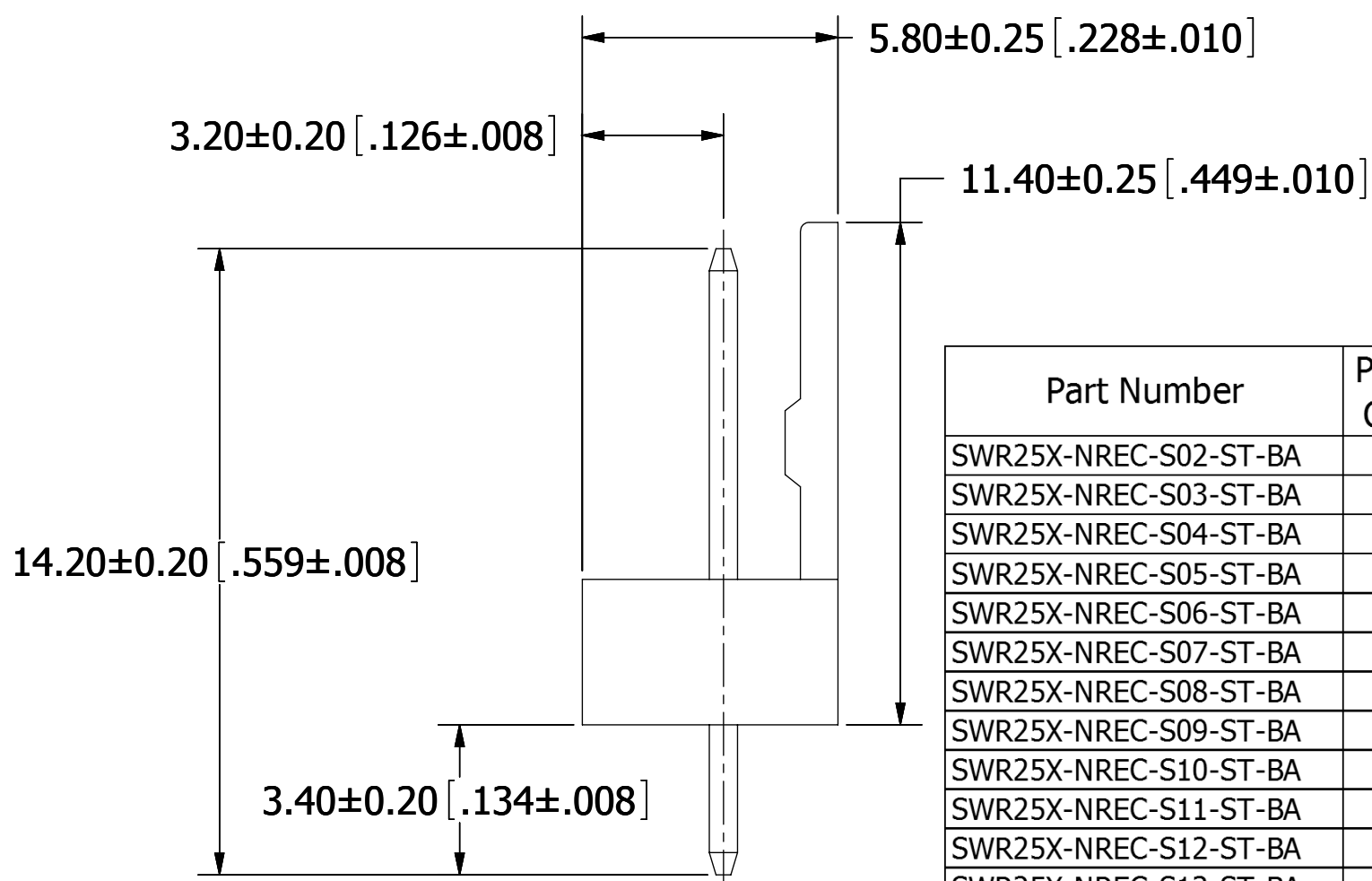
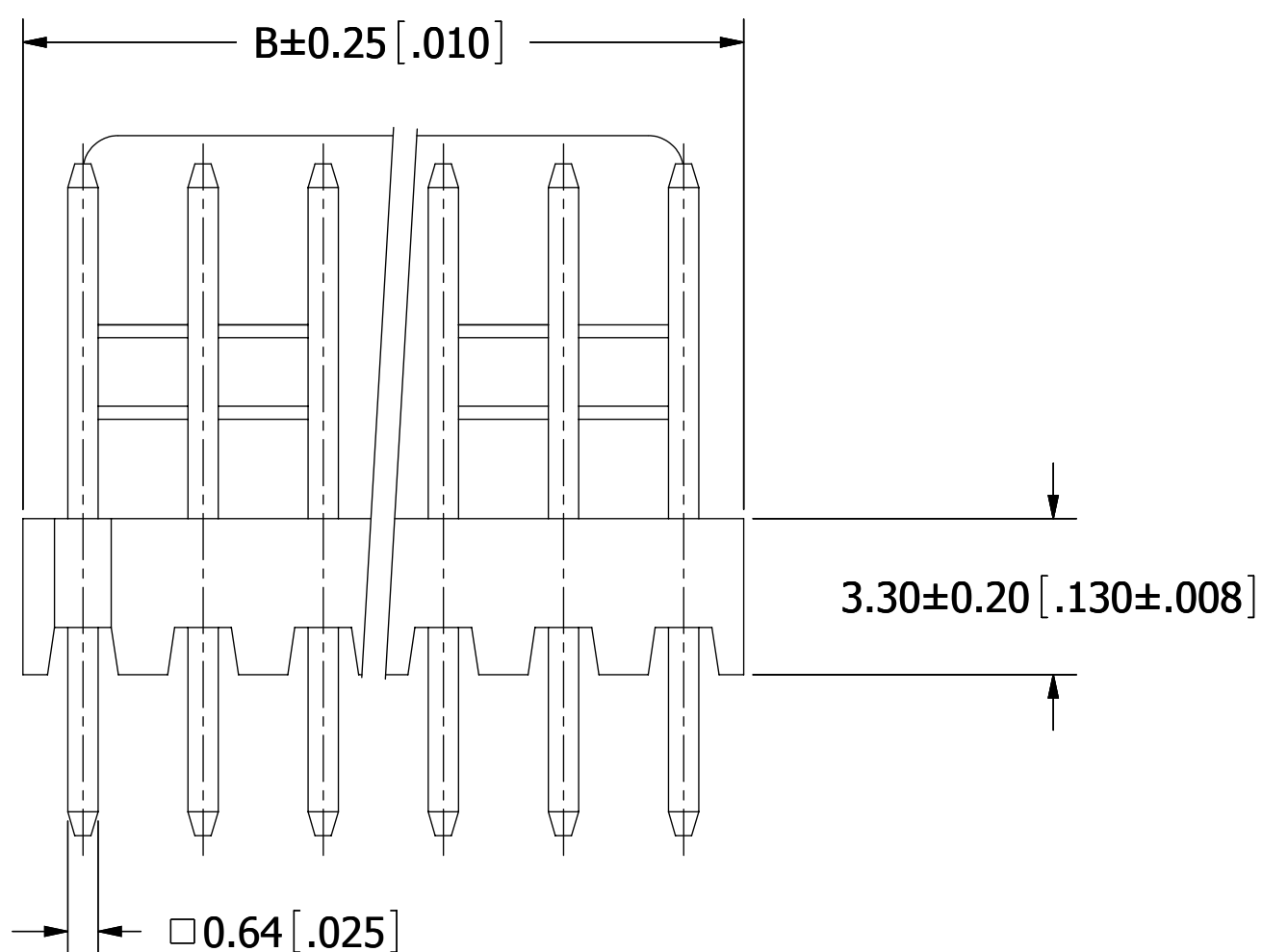
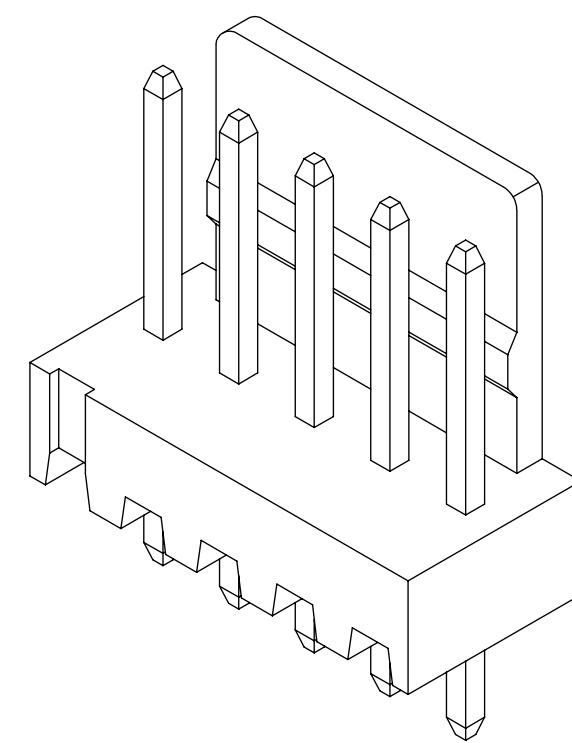
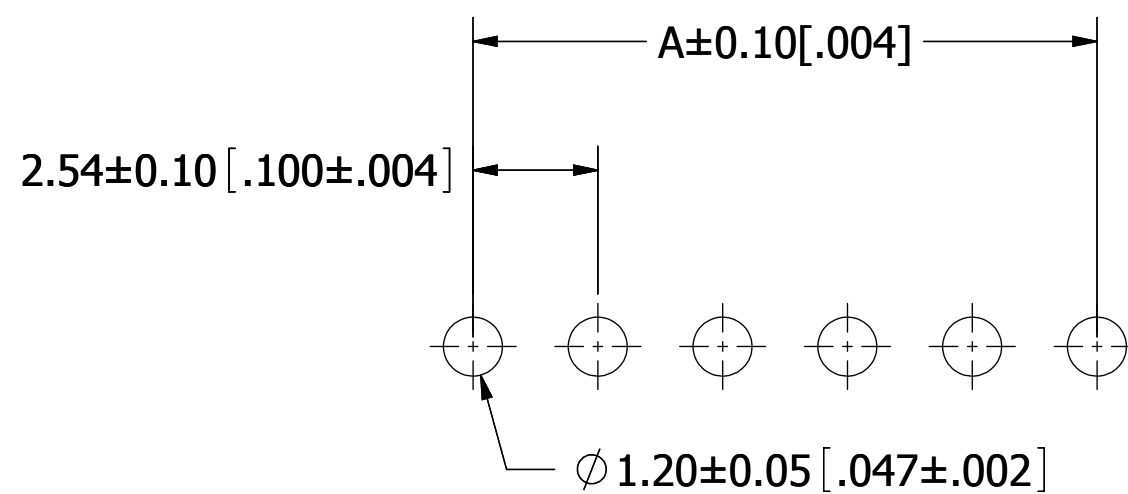
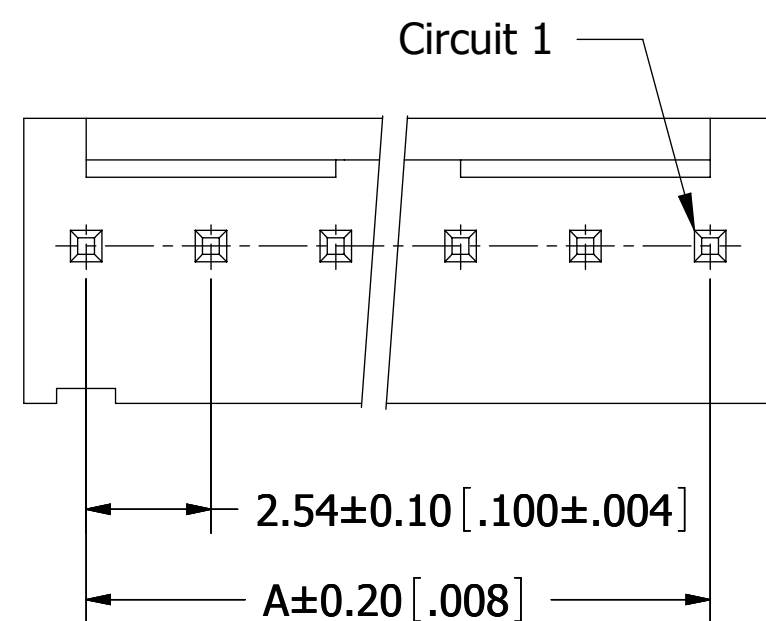
# PART NUMBER CODING

## SWR25X-NREC-S\_\_-ST-BA

**NUMBER OF POSITIONS**

(CONTACTS PER ROW)

REVISIONS				
REV.	ECO. NO	DESCRIPTION	DATE	BY
A	2006	INITIAL RELEASE	9/16/09	JH



Part Number	Positions/ Contacts	A		B	
		MM	INCH	MM	INCH
SWR25X-NREC-S02-ST-BA	02/02	2.54	0.100	5.08	0.200
SWR25X-NREC-S03-ST-BA	03/03	5.08	0.200	7.62	0.300
SWR25X-NREC-S04-ST-BA	04/04	7.62	0.300	10.16	0.400
SWR25X-NREC-S05-ST-BA	05/05	10.16	0.400	12.70	0.500
SWR25X-NREC-S06-ST-BA	06/06	12.70	0.500	15.24	0.600
SWR25X-NREC-S07-ST-BA	07/07	15.24	0.600	17.78	0.700
SWR25X-NREC-S08-ST-BA	08/08	17.78	0.700	20.32	0.800
SWR25X-NREC-S09-ST-BA	09/09	20.32	0.800	22.86	0.900
SWR25X-NREC-S10-ST-BA	10/10	22.86	0.900	25.40	1.000
SWR25X-NREC-S11-ST-BA	11/11	25.40	1.000	27.94	1.100
SWR25X-NREC-S12-ST-BA	12/12	27.94	1.100	30.48	1.200
SWR25X-NREC-S13-ST-BA	13/13	30.48	1.200	33.02	1.300
SWR25X-NREC-S14-ST-BA	14/14	33.02	1.300	35.56	1.400
SWR25X-NREC-S15-ST-BA	15/15	35.56	1.400	38.10	1.500
SWR25X-NREC-S16-ST-BA	16/16	38.10	1.500	40.64	1.600
SWR25X-NREC-S17-ST-BA	17/17	40.64	1.600	43.18	1.700
SWR25X-NREC-S18-ST-BA	18/18	43.18	1.700	45.72	1.800
SWR25X-NREC-S19-ST-BA	19/19	45.72	1.800	48.26	1.900
SWR25X-NREC-S20-ST-BA	20/20	48.26	1.900	50.80	2.000

- NOTES:**
- INSULATOR MATERIAL: NYLON66, UL94V-2, COLOR:BEIGE (PANTONE 7506C).
  - CONTACT MATERIAL: BRASS.
  - CONTACT PLATING: TIN OVERALL.
  - CURRENT RATING: 4 AMPS.
  - VOLTAGE RATING: 250V AC/DC.
  - INSULATOR RESISTANCE: 1000 MEGOHMS MIN.
  - CONTACT RESISTANCE: 10 MILLIOHMS MAX.
  - DIELECTRIC WITHSTANDING VOLTAGE: 1000V AC.
  - OPERATING TEMPERATURE: -25° C TO +85° C.
  - MATES WITH SWH25X SERIES SINGLE ROW HOUSING.



UNLESS OTHERWISE SPECIFIED:  
DIMENSIONS ARE IN MM [INCHES]  
TOLERANCES:  
ANGULAR: ± 5°  
.X= ± .3 [.01]  
.XX= ± .15 [.006]  
.XXX= ± .050 [.0020]  
SURFACE FINISH: 63 R<sub>a</sub>  
REMOVE ALL BURRS AND SHARP EDGES .010 MAX

INTERPRET DIMENSIONS AND GEOMETRIC TOLERANCING PER: ANSI Y14.5M-1994

DRAWN	DATE	NAME
	9/16/09	JH

THE INFORMATION HEREIN CONTAINS PROPRIETARY INFORMATION OF SULLINS ELECTRONICS AND IS NOT TO BE REPRODUCED, USED OR DISCLOSED TO OTHERS FOR ANY PURPOSE EXCEPT AS SPECIFICALLY AUTHORIZED IN WRITING BY AN OFFICER OF SULLINS ELECTRONICS.

**SULLINS**  
CONNECTOR SOLUTIONS

DESCRIPTION:  
**WAFER 2.54mm CC, 1 ROW, ST**  
**PART NUMBER**  
**SWR25X-NREC-S\_\_-ST-BA**

SIZE	DWG. NO.	REV
<b>C</b>	<b>11313</b>	<b>A</b>

SCALE: 6.5:1 SHEET 1 OF 1