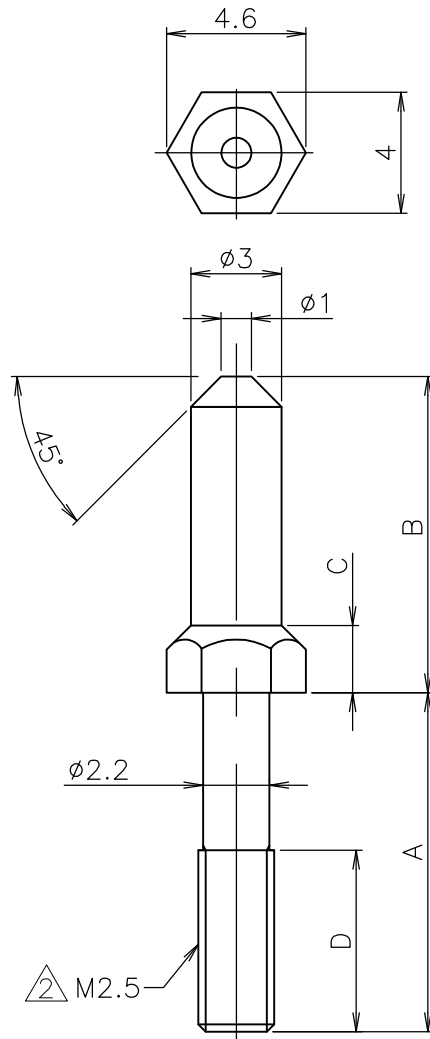


LOC J	DIST	REVISIONS			
P	LTR	DESCRIPTION	DATE	DWN	APVD
	F	REVISED PER ECR-12-013086	26MAR13	K.M	E.T



注記

- 1. 材料及び仕上：黄銅、ニッケルメッキ
- ② ねじ部先端を除き、ゆるみ止め材料塗布
(ロックタイト DRI-LOC 202, 203 相当)

NOTE

- 1. MATERIAL AND FINISH BRASS, Ni PLATE
- ② THREADLOCKING MATERIAL APPLIED, EXCEPT FOR THREAD TIP AREA.
(EQUIVALENT LOCTITE DRI-LOC 202, 203)

② M2.5

① OBSOLETE	MAKE FROM -1	6	2.22	10.45	11.2	2-177734-1 ②
		4.6	2.22	10.45	5.6	177734-5
		6	3.02	11.25	10.4	177734-4
		6	3.02	11.25	7	177734-3
		6	2.22	10.45	7.8	177734-2
		6	2.22	10.45	11.2	177734-1
	REMARKS	D	C	B	A	P/N

THIS DRAWING IS UNPUBLISHED. RELEASED FOR PUBLICATION , 1993. ALL RIGHTS RESERVED.

COPYRIGHT 1993 By -

DIMENSIONS: mm	DWN S.ABE	160CT02	MATERIAL	SEE NOTE	FINISH	SEE NOTE
	CHK H.SHIRAI	160CT02	TE Connectivity			
TOLERANCES UNLESS OTHERWISE SPECIFIED:	APVD H.SHIRAI	160CT02				
0 PLC ± 0.25	PRODUCT SPEC		NAME GUIDE PIN FOR AMP DOCKING CONNECTOR			
1 PLC ± 0.25	APPLICATION SPEC		SIZE	CAGE CODE	DRAWING NO	RESTRICTED TO
2 PLC ± 0.25			A4	00779	① 177734	—
3 PLC ±			CUSTOMER DRAWING			
4 PLC ±			SCALE	4:1	SHEET	1 OF 1
ANGLES ± 3'			REV F			

