

PRODUCT NUMBER
75160-YXX-XXLF

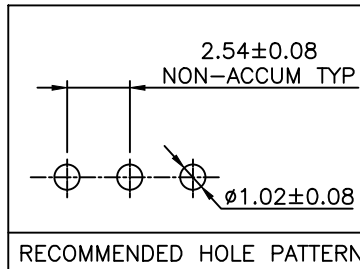
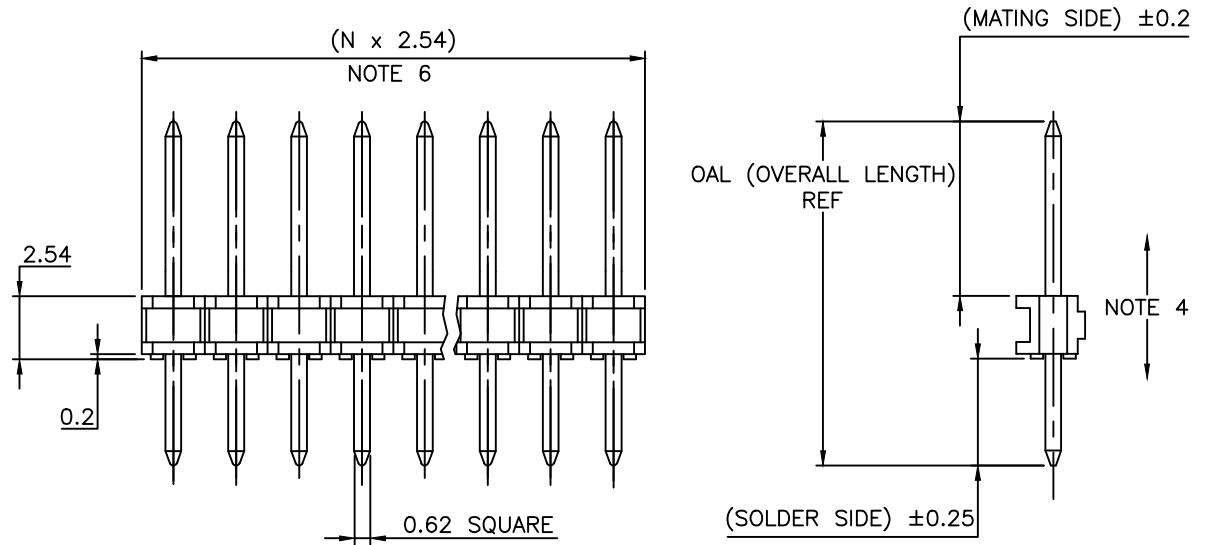
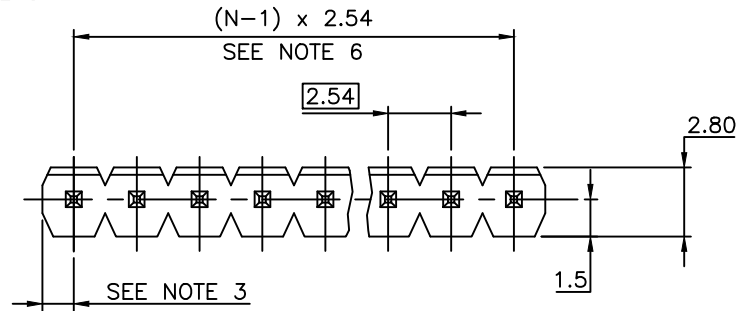
RoHS COMPLIANT & COMPATIBLE, SEE NOTE 8
TOTAL NB OF POSITIONS 02 TO 36
PIN STYLE SEE SHEET 2

PLATING:

- 1 = 0.76µm FULL GOLD/GXT
- 3 = 2µm MIN MATTE TIN FULL PLATED
- 8 = 0.38µm FULL GOLD/GXT
- 1.27µm MIN NICKEL UNDERPLATING

NOTES:

1. HOUSING MAT'L : HIGH TEMPERATURE THERMOPLASTIC FLAME RETARDANT PER UL94-VO, COLOR BLACK.
2. PIN MATERIAL : PHOSPHOR BRONZE.
3. DIM $1.27^{+0.03}_{-0.13}$ FOR MOULDED SIDE(S) ONLY. IF SIDE(S) ARE BROKEN, DIM 1.02 TO 1.7 MAX APPLIES.
4. PIN PUSH OUT FORCE : 12N MIN.
5. PRODUCT PACKAGED IN POLY BAGS.
6. TO DETERMINE DIMENSIONS :
N = NUMBER OF POSITIONS
EXAMPLE : 8 POS $N \times 2.54 = 20.32\text{mm}$
7. FOR STANDARD SELECTIVE GOLD PLATED PRODUCTS, SEE DRAWING 77311.
8. RoHS COMPATIBLE PRODUCT SPECIFICATIONS
 - a - "LF" MEANS THE PRODUCT IS LEAD-FREE
 - b - MANUFACTURING PROCESS COMPATIBILITY
 - THE HOUSING WILL WITHSTAND EXPOSURE TO $260^{\circ}\text{C} \pm 5^{\circ}\text{C}$ SOLDER BATH TEMPERATURE FOR 5 SECONDS IN A WAVE SOLDER APPLICATION WITH A 1.6mm MIN THICK CIRCUIT BOARD.
 - c - LABELING:
 - MEETS PACKAGING SPECS AS PER GS-14-920
 - d - LEGAL STATEMENT: SEE GS-47-0004

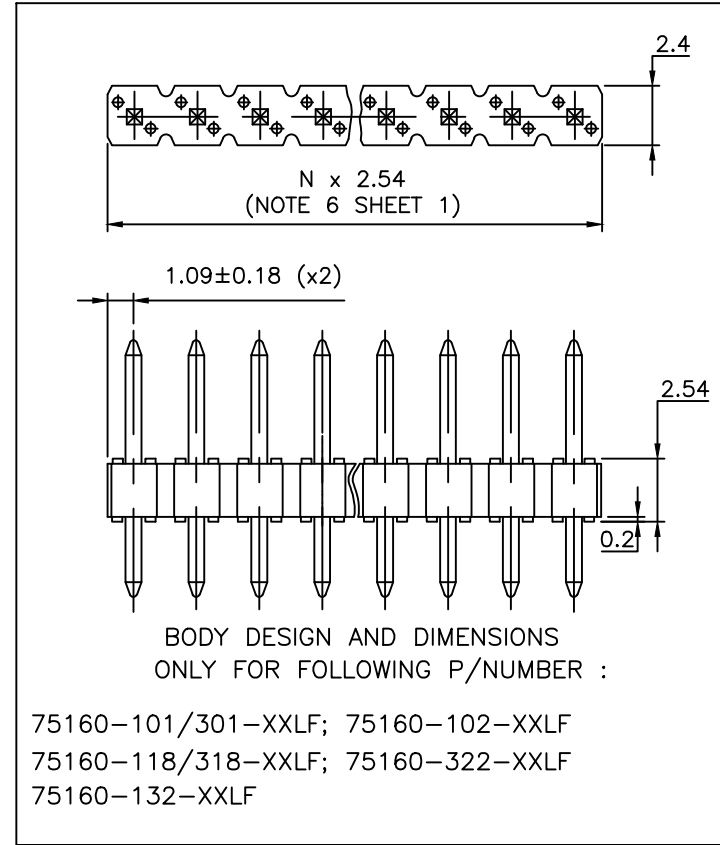


mat'l. code SEE NOTES				surface ISO 1302 ✓		tolerance ISO 406 ISO 1101		projection mm		product family BERGSTIK	
lfr ecn no dr date				tolerances unless otherwise specified		.x ±0.3		mm		title HEADER SR,STR 2.54mm PITCH	
BR F20607 LMU 03.12.03				angles		.xx ±0.15		scale 5:1		sheet 1 of 2 size	
BS F03079 LMU 03.04.04				linear		xxx ±0.05		FCJ		75160 A3	
BT F05-0186 JCO 05.04.29				dr		D LEGRAND 02.01.15		type		CUSTOMER Drawing	
BU F06-0196 LMU 06.06.20				enrg		JMC 02.01.15					
BV F08-0148 JCO 08.05.27				chr		COMPAGNON J 02.01.15					
BW B-19264 LMU 14.10.31				appd		JMC 02.01.15					
sheet index	revision sheet	BW	BK								
	2										

APPLICATION SPECIFIC			
PIN STYLE	MATING	SOLDER	OAL
01	5.72	2.54	10.8
02	5.84	3.43	11.81
03	5.72	5.09	13.34
04	5.72	7.62	15.88
05	5.72	10.16	18.42
06	5.72	12.7	20.96
07	5.72	15.24	23.5
08	5.72	17.78	26.04
09	5.72	20.32	28.58
10	5.72	22.86	31.12
11	5.72	5.97	14.22
12	5.72	8.51	16.76
13	5.72	11.05	19.3
14	5.72	16.13	24.38
15	8.51	2.54	13.59
16	8.51	5.51	16.56
17	8.51	10.59	21.64
18	5.72	3.05	11.3
19	12.83	3.05	18.42
20	15.37	3.05	20.96
21	20.45	3.05	26.04
22	7.75	3.05	13.34
23	5.84	4.95	13.34
24	7.21	3.05	12.8
25	8.51	3.18	14.22
26	15.57	2.84	20.96

APPLICATION SPECIFIC			
PIN STYLE	MATING	SOLDER	OAL
27	6.6	2.67	11.81
28	6.6	4.19	13.34
29	17.53	3.43	23.5
30	22.61	3.43	28.58
31	8.2	2.84	13.59
32	10.29	3.05	15.88
35	25.21	3.37	31.12
38	5.84	3.81	12.19
39	11.17	3.05	16.76
41	4.99	2.8	10.33
43	6.98	4.8	14.32
44	12.27	3.35	18.16
46	8.08	2.72	13.34
48	5.84	2.42	10.8
50	5.84	3.12	11.5
56	5.72	3.05	11.3
61	16.61	3.2	22.35
62	13.5	3.05	19.09
70	6.54	3.5	12.57
73	28.4	3.18	34.12
75	16.47	10.3	29.31
79	3.3	3.3	9.14
80	8.07	2.2	12.81
90	1.9	3.56	8
95	15.96	4	22.5
96	5.84	3.43	11.81

APPLICATION SPECIFIC			
PIN STYLE	MATING	SOLDER	OAL
97	7.75	3.05	13.34
98	10.29	3.05	15.88



Copyright FCI

mat'l. code	SEE P/N	surface	tolerance	projection	product family		
ltr	ecn no	dr	date	ISO 1302	ISO 406	ISO 1101	BERGSTIK
BH	F05-0186	JCO	05.04.29	tolerances unless otherwise specified			title
BJ	F06-0196	LMU	06.06.20	angles	.x ±0.3	mm	HEADER STR,SR.
BK	B-19264	LMU	14.10.31	linear	.xx ±0.15	scale 5:1	2.54mm PITCH
				xxx ±0.05			dwg no
	F20301	LMU	02.04.23	dr	MULIN.L	99.04.07	sheet 2 of - size
	F20607	LM	03.12.03	enfr	JMC	99.04.07	75160
BF	F20607	LM	03.12.03	chr			A3
BG	F03079	LMU	03.04.04	appd	JMC	99.04.07	type
sheet	revision						CUSTOMER
index	sheet						Drawing