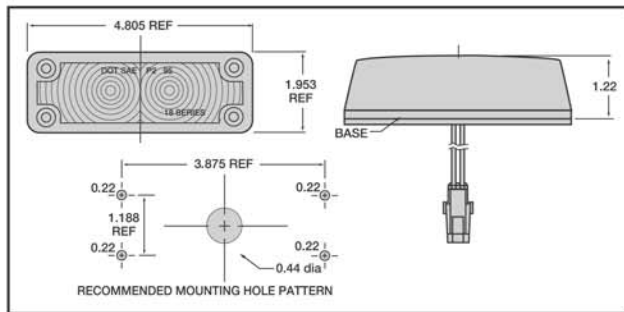
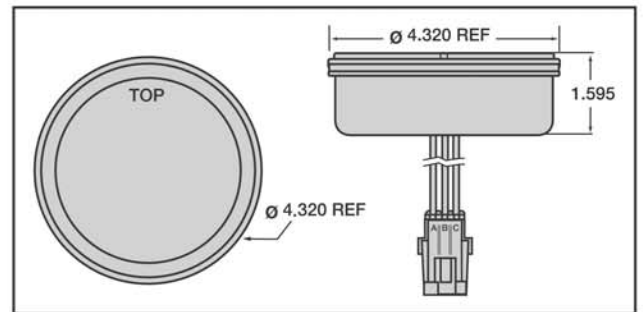


18 Series Fig. 1



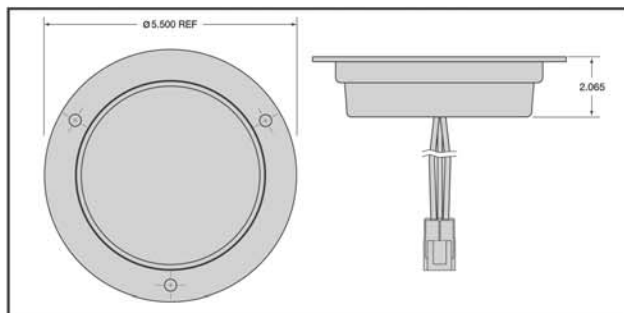
Auxiliary side turn
Surface Mount
Branch deflector available

40/41 Series 4" Round Fig. 2



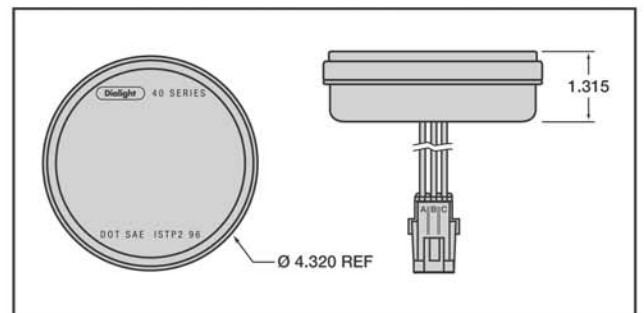
Grommet Mount
Fits industry standard grommets
Available in 12V and 24V

40/41 Series 4" Round, Flanged Fig. 3



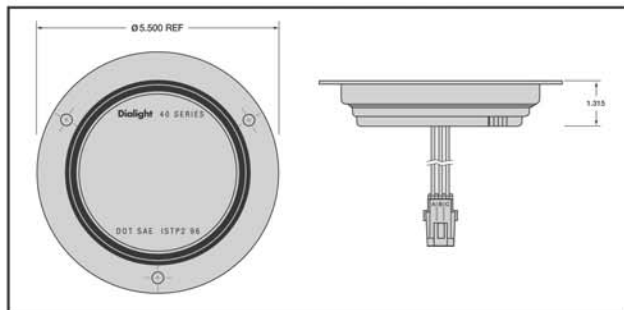
Flange Mount
Mounts in industry standard hole size
Available in black or white flange
Available in 12V and 24V

46 Series 4" Round Fig. 4



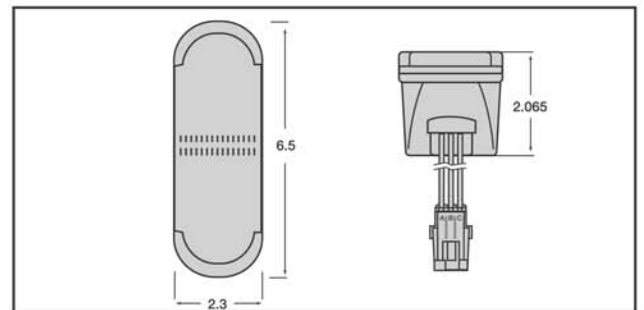
Grommet Mount
Fits industry standard grommets
Unique potted design
Available in 12V and 24V

46 Series 4" Round, Flanged Fig. 5



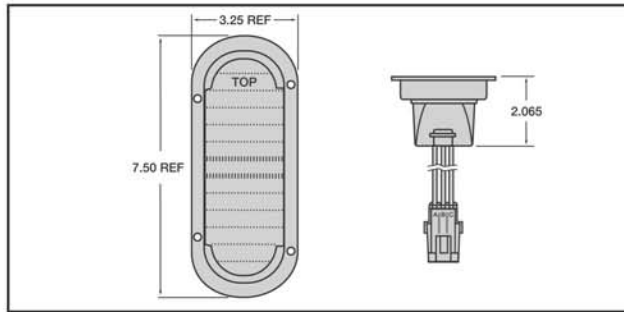
Mounts in industry standard hole size
Available in black or white flange
Unique potted design
Available in 12V and 24V

60/64 Series Oval Fig. 6



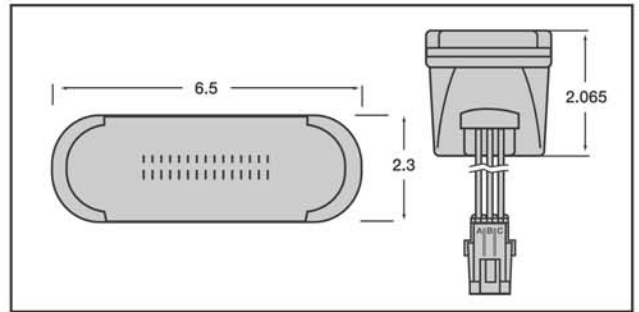
Vertical Grommet Mount
Fits industry standard grommets
Available in 12V and 24V

60/64 Series Oval, Flanged Fig. 7



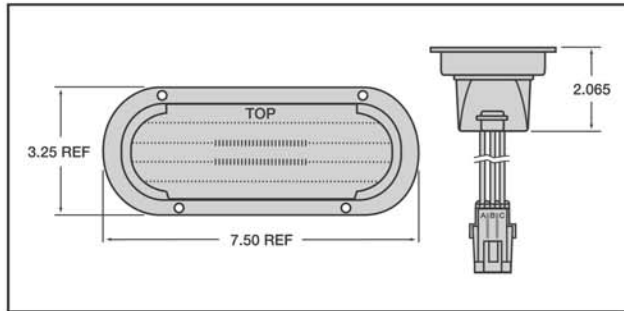
Vertical Flange Mount
Mounts in industry standard hole size
Available in black or white flange
Available in 12V and 24V

61/62/65 Series Oval Fig. 8



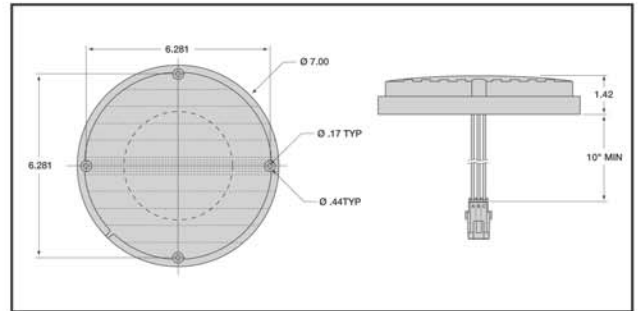
Horizontal Grommet Mount
Fits industry standard grommets
CHMSL is a 2 wire system
Available in 12V and 24V

61/62/65 Series Oval, Flanged Fig. 9



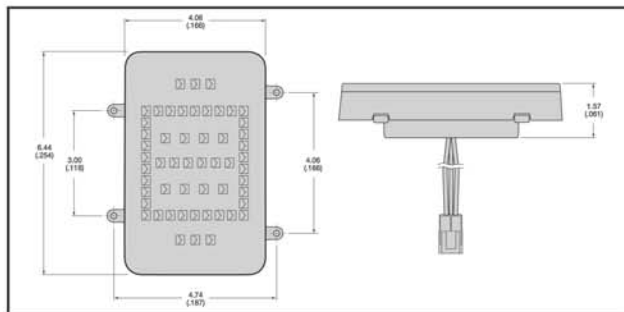
Horizontal Flange Mount
Mounts in industry standard hole size
Available in black or white flange
CHMSL is a 2 wire system
Available in 12V and 24V

70 Series 7" Round Fig. 10



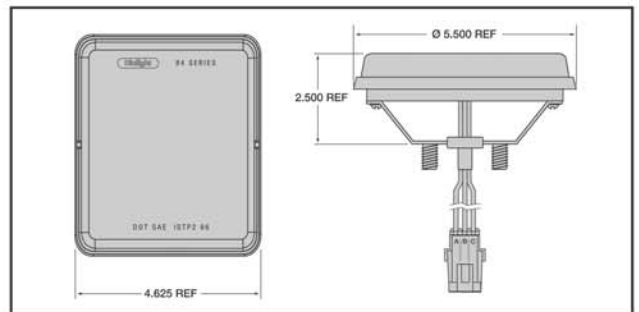
Largest LED lamp available
Enhance conspicuity
Unique potted design
Available in 12V and 24V

80 Series Rectangular Fig. 11



4" x 7" Rectangular
Available in 12V and 24V
Front Turn Signal Available in 12V only

84 Series Fig. 12



Replaces Hella 65xxx Series
Unique potted design
Vertical or horizontal mount
Available in 12V only

Features

- Meets FMVSS 108
- Specially designed for bus applications
- 9" integral 18 AWG wire leads with connectors
- Available in alternative terminations
- Long life
- Reduced current draw
- Voltage regulated versions designed to operate as low as 3 Volts; meets FMVSS108 from 7V to 16V range
- Standard termination is Packard Weather-Pack
- LEDs provide nearly instant on, faster illumination than incandescent
- Faster signal to trailing vehicle in stop/turn function

SIGNAL LAMPS FOR BUS APPLICATIONS

Part No.	Description	Grommet	White Flange Mount	Black Flange Mount	Regulator	Hard Coated	Figure
STOP/TAIL/TURN (RED) (3 WAY PACKARD® CONNECTORS)							
40001RB	4 Inch Round	x			x		2
40031RB	4 Inch Round		x		x		3
40131RB	4 Inch Round	x			x	x	2
40133RB	4 Inch Round, 24V	x			x	x	2
46001RB	4 Inch Round, Potted Design	x			x		4
46003RB	4 Inch Round, Potted Design, 24V	x			x		4
46121RB	4 Inch Round, Potted Design	x			x	x	4
46123RB	4 Inch Round, Potted Design, 24V	x			x	x	4
46221RB	4 Inch Round, Potted Design		x		x	x	5
60001RB	2 x 6 Oval Vertical Mount	x			x		6
60031RB	2 x 6 Oval Vertical Mount		x		x		7
60081RB	2 x 6 Oval Vertical Mount			x	x		7
60131RB	2 x 6 Oval Vertical Mount	x			x	x	6
61001RB	2 x 6 Oval Horizontal Mount	x			x		8
61081RB	2 x 6 Oval Horizontal Mount			x	x		9
61131RB	2 x 6 Oval Horizontal Mount	x			x	x	8
70001RB	7 Inch Round				x		10
70131RB	7 Inch Round				x	x	10
70133RB	7 Inch Round, 24V				x	x	10
80001RB	4 x 7 Rectangular				x		11
80131RB	4 x 7 Rectangular				x	x	11
80133RB	4 x 7 Rectangular, 24V				x	x	11
84121RB	4 x 5 Rectangular, Potted Design					x	12

CENTER HIGH MOUNTED STOP LAMP (CHMSL) (2 WAY PACKARD® CONNECTORS)

62001RB	2 x 6 Oval Horizontal Mount	x			x		8
62031RB	2 x 6 Oval Horizontal Mount		x		x		9
62131RB	2 x 6 Oval Horizontal Mount	x			x	x	8
62133RB	2 x 6 Oval Horizontal Mount, 24V	x			x	x	8

REAR TURN (AMBER) (2 WAY PACKARD® CONNECTORS)

41001AB	4 Inch Round	x					2
41031AB	4 Inch Round		x				3
41131AB	4 Inch Round	x				x	2
41133AB	4 Inch Round, 24V	x				x	2
64131AB	2 x 6 Oval Vertical Mount	x				x	6
64231AB	2 x 6 Oval Vertical Mount		x			x	7
65131AB	2 x 6 Oval Horizontal Mount	x				x	8
65231AB	2 x 6 Oval Horizontal Mount		x			x	9
70001AB	7 Inch Round				x		10
70131AB	7 Inch Round				x	x	10
70133AB	7 Inch Round, 24V				x	x	10
80001AB	4 x 7 Rectangular				x		11
80131AB	4 x 7 Rectangular				x	x	11
80133AB	4 x 7 Rectangular, 24V				x	x	11
84121AB	4 x 5 Rectangular, Potted Design					x	12

FRONT TURN (AMBER) (2 WAY PACKARD® CONNECTORS)

81001AB	4 x 7 Rectangular				x		11
81131AB	4 x 7 Rectangular				x	x	11

AUXILIARY SIDE TURN LAMPS (AMBER)

18001AB804	Rectangular, 2 Wire, Side Turn						1
18001AB811	Rectangular, 3 Wire, Side Marker/Turn						1

*12 volts, unless otherwise specified. Include integral wiring with Packard® Connectors.

ACCESSORIES

Part No.	Description
91802A	18 Series Aluminum Armor Guard
94001A	40/41/46 Series Mounting Grommet
94012B	3 Position Packard Connector Kit, Male Connector, Female Terminals
94012C	3 Position Packard Connector Kit, Female Connector, Male Terminals
94511B	2 Position Packard Connector Kit, Male Connector, Female Terminals
94511C	2 Position Packard Connector Kit, Female Connector, Male Terminals
96001A	60/61/62/64/65 Series Mounting Grommet