

actual size



DIN rail
or screw
mountable

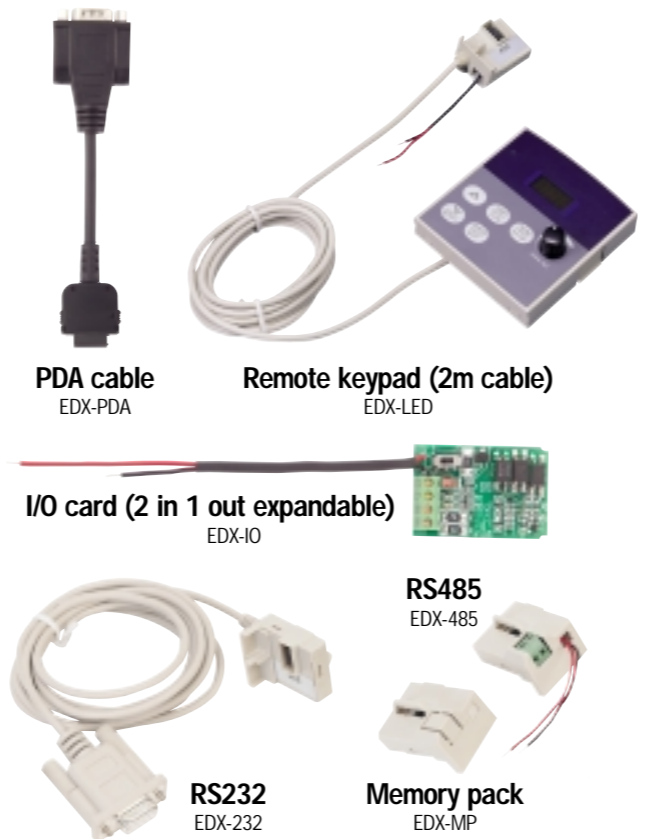


programming options
remote keypad, PDA or PC



space saving
side-by-side installation

accessories



 IMO Precision Controls Limited
1000 North Circular Road
Staples Corner, London NW2 7JP
United Kingdom
Tel: +44 (0)20 8452 6444
Fax: +44 (0)20 8450 2274
Email: imo@imopc.com
Web: www.imopc.com

 IMO Deutschland
Für weitere Einzelheiten zu IMO
Agenten und Distributoren in Ihrer
Nähe schreiben Sie bitte ein E-mail
an folgende Adresse:
imo@imopc.com

 IMO Jeambrun Automation SAS
Avenue du Mistral, ZI Athéna IV
13705 La Clotat Cedex, France
Tél : 04 42 83 82 00
Fax : 04 42 83 82 75
Email : info@imopc.fr
Web : www.imopc.fr

 IMO Italia
Viale A. Volta 127/a
50131 Firenze, Italia
Tel: 800 783281
Fax: 800 783282
Email: info@imopc.it
Web: www.imopc.it



- Cam Switches
- Din Terminals
- Drives
- Enclosures
- Fieldbus remote I/O
- Isolators & Switch Fuses
- MCB & RCD
- Motor Circuit Breakers
- Motor Control Gear
- Panel Meters
- Relays
- Signal Conditioning
- Sockets
- Timers
- Transformers & Power Supplies



- Drives
- Intelligent Terminals/HMI
- Limit Switches
- Photoelectric Switches
- PLCs
- Proximity Switches
- Temperature Controls



- Data Acquisition & Control
- Drives
- Intelligent Terminals/HMI
- Limit Switches
- Photoelectric Switches
- Proximity Switches
- PLCs
- Signal Conditioning
- Temperature Controls



- Lightguards
- Safety Limit Switches
- Safety Relays



- Jaguar VXM 0.37-500kW
- Jaguar VXSM 0.37-7.5kW
- Jaguar CUB 0.37-4kW



- Audible devices
- Chip-on-Board
- Device programmers
- LEDs & 7 seg. displays
- PCB Terminal blocks
- Relays - automotive
- Relays - power
- Relays - signal
- Switches

options and ordering codes

EDX	-	075	-	4	3	-	E	
iDrive								
Power (kW)		020						IP20
		040						N4 NEMA4 (IP65)
		075						N4S As N4 plus control switches
		150						No Filter
		220						E EMC Filter built in
				100v	1			
				200v	2			
				400v	4	1	1Phase	
				600v	6	3	3 Phase	

Example shown:
EDX-075-43-E = 0.75kW, 400V, 3 phase with integrated EMC filter



iDrive

AC variable speed 'economy' drives
0.2-2.2kW



IMO



iDrive: ultra-low cost, micro inverters for small AC motors 0.2-2.2kW...

iDrive is the ultimate low-cost variable speed ac drive from the home of the world famous Jaguar range.

Ideal for small 3-phase motor control applications requiring flexibility, reliability and precision, iDrive is available from stock in single phase 230V or three phase 400V input models.

iDrives use only twelve basic set-up parameters for standard out-of-the-box operation, but for higher performance applications the user can unlock and use the hidden advanced parameter set.

An internal First Environment EMC filter makes the iDrive suitable for virtually every industrial, commercial or domestic application without the need for additional equipment.

Compact, powerful, and user friendly. There is really only one small ac drive that you need to ask for... iDrive from IMO

- Integrated Class B EMC filter
- CE and UL/cUL approvals
- Easy to install
- Basic/Advanced set-up
- DIN rail mounting as standard
- 1-phase and 3-phase variants
- V/F and sensorless vector modes
- High starting torque
- PID control as standard
- Keypad potentiometer
- 8 pre-set speeds
- DC braking as standard
- IP65/NEMA 4 models available
- Side-by-side mounting
- Thermostatic cooling fan
- Comprehensive inverter and motor protection functions
- Remote Keypad options with full copy facility
- Optional multi-function card
- PNP or NPN selectable
- RS232/485 option cards
- Modbus RTU/ASCII
- PC software (option)
- PDA (iPAQ) software (option)



specification

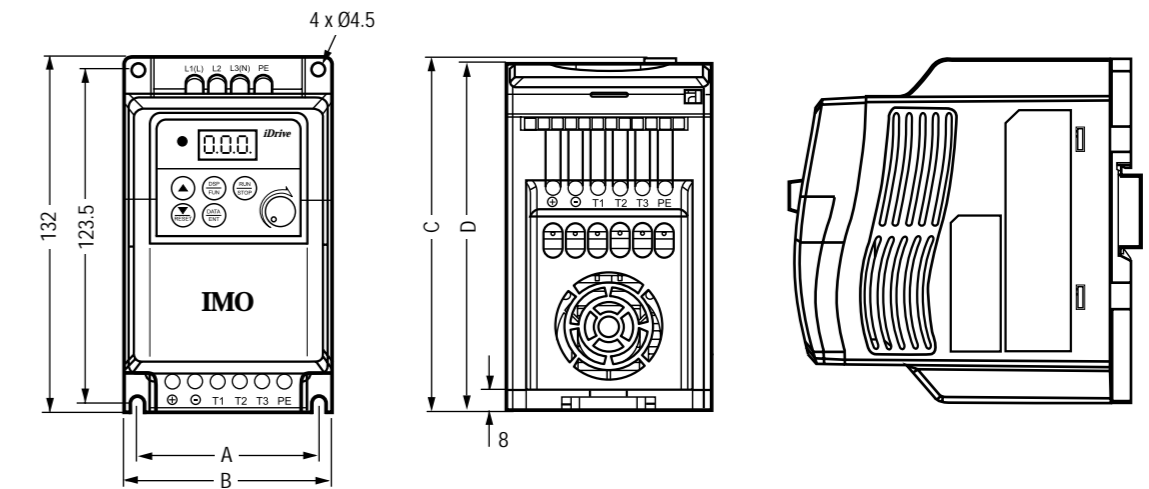
Model data	Special Order only					Special Order only										
	110V/10			220V/10			220V/30			440V/30						
	EDX-xxx-11			EDX-xxx-21-E			EDX-xxx-23			EDX-xxx-43-E						
	020	040	075	020	040	075	150	220	020	040	075	150	220	075	150	220
Horsepower (hp)	0.25	0.5	1	0.25	0.5	1	2	3	0.25	0.5	1	2	3	1	2	3
Nominal Motor Capacity (kW)	0.2	0.4	0.75	0.2	0.4	0.75	1.5	2.2	0.2	0.4	0.75	1.5	2.2	0.75	1.5	2.2
Rated Output Current (A)	1.7	3.1	4.2	1.7	3.1	4.2	7.5	10.5	1.7	3.1	4.2	7.5	10.5	2.3	3.8	5.2
Rated Capacity	0.53	0.88	1.60	0.53	0.88	1.60	2.90	4.00	0.53	0.88	1.60	2.90	4.00	1.7	2.9	4.0
Max. Input Voltage	1Ø 100-120V +10%, -15% (50/60Hz)			1Ø 200-240V +10%, -15% (50/60Hz)			3Ø 200-240V +10%, -15% (50/60Hz)			3Ø 380-480V +10%, -15% (50/60Hz)						
Max. Output Voltage	3Ø / 0 to V input			3Ø / 0 to V input			3Ø / 0 to V input			3Ø / 0 to V input						
Input Current (A)	7.1	12.2	17.9	4.3	5.4	10.4	15.5	21	3.0	4.0	6.4	9.4	12.2	3	4.8	6.6
Net Weight (kg)	0.62	0.68	0.72	0.71	0.73	0.73	1.25	1.3	0.61	0.61	0.66	0.95	1	1.68	1.7	1.73
Allowable momentary power loss time (second)	1.0	1.0	1.0	1.0	1.0	1.0	2.0	2.0	1.0	1.0	1.0	2.0	2.0	1.0	2.0	2.0
Frame size (see dims)	1	1	1	1	1	1	2	2	1	1	1	2	2	2	2	2
Enclosure	IP20			IP20			IP20			IP20						

Common specification

Power Source	110V model: 100~120v +10% / -15%, 50/60Hz 220V model: 200~240v +10% / -15%, 50/60Hz 440V model: 380~480v +10% / -15%, 50/60Hz
Control Mode	Selectable V/f or Vector control (starting torque: 100% / 3Hz)
Frequency Range	0~200Hz
Frequency Setting Resolution	Digital: 0.1Hz (0~99.9Hz) / Hz(100~200Hz); Analogue: 0.6Hz / 60Hz
Frequency Setting Method	Set with ▲ keys or the VR on the keypad. Alternatively use the UP/DOWN (Motorised Pot) or the AIN signal
Display Functions	7 segment* 3; display frequency / DC voltage / output voltage / output current / inverter parameters error code / program version / PID feedback
External Frequency Setting	1. External variable resistor / 0-10V / 0-20mA / 2-10V / 4-20mA 2. Motorised Pot (UP/DOWN)
Output frequency limit function	Upper/lower frequency limits and two-stage prohibited frequencies
Carrier Frequency	4~16KHz (factory setting 10KHz, 10KHz or more De-rating)
Acc/Dec control	0.1~999 sec, two-stage acc./dec. time could be changed By MFIT/Acc/Dec disable
DI (Digital Input)	NPN/PNP toggle* four points; two points optional (S1~S4 Built in, S5~S6 option)
DO (Digital Output)	Terminal * 1 point (1a terminal)---setting to Multi-function output. Optional Multi-function Photo Output* 1 point (open collector 24V, 600mA)
AI (Analogue Input)	Setting to speed command and PID feedback signal/MFIT S7 (PNP Mode)
Other Function	Instantaneous power loss restart, Speed search, fault restart, DC brake Torque boost, 2/3 wire control and PID function
Communication Control	RS-485 Option Card: Modbus RTU/ASCII mode, 4800~38400 bps max. 254 stations. PC-PDA software link
Humidity	0-95% Relative humidity (non-condensing)
Overload Protection	150% / 1 min
Operating Temperature	-10°C to +50°C (in distributor) IP20; -10~40°C IP65
Other Protection Function	Over current, over voltage, low voltage, overload, momentary power loss and restart stall prevention for acceleration/deceleration/operation, short-circuit protection for output/grounding fault, reverse restriction, restrictions for direct start after power up and error recovery
International Conformance	UL/cUL, CE
EMC	Integrated Class B (to EN61800-3 / First Environment, unrestricted sales)

dimensions (mm) and connections

IMO



	A	B	C	D
Frame 1	67	77	130.5	128.45
Frame 2	108	118	148	144

Frame 1: 1Ø 110V/220V and 3Ø 220V models up to 0.75kW
Frame 2: 1Ø and 3Ø 220V from 1.5kW and all 3Ø 440V models

