

Meet your demand for optimal miniature cooling design
Expert on forced air convection and heat dissipation in miniature mechanisms

Sunon was founded in 1980 and is a leader in precision motors and miniature cooling fans. In 2007, the company successfully launched its Mighty Mini cooling technology and mass-produced 3cm below miniature cooling products. It offered the smallest (8mm), the thinnest (3mm) and the lowest energy-consuming innovative design. The mature technology has passed rigorous reliability verification and been introduced into new-generation products of computer information, network communications, consumer electronics, medical equipment, security surveillance, etc.



Sunon has taken out 110 patents from around the globe for the Mighty Mini cooling technology. Accompanied by our flexible custom-made design ability, we have successfully assisted clients across the world with solving their cooling problems in various miniature mechanisms and become the best cooling design advisor for clients developing new-generation miniature electronic products.

Innovative Solution

UMPC & MID

Pico Projector

Medical Air Detector

Samrt Phone

Sunonwealth Electric Machine Industry Co., Ltd.

TEL : +886-7-8135888
FAX : +886-7-8230505

E-mail : sunon@email.sunon.com.tw
http://www.sunon.com.tw



Fan Size: ● 80mm



● 30mm

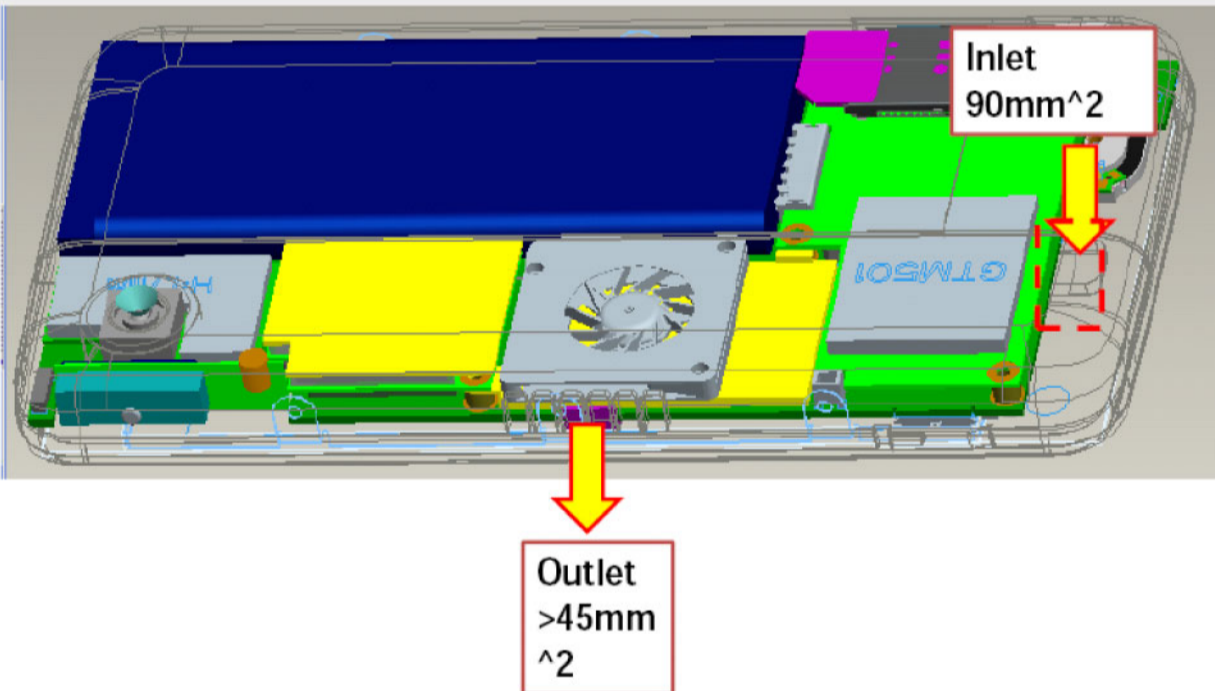


● 8mm

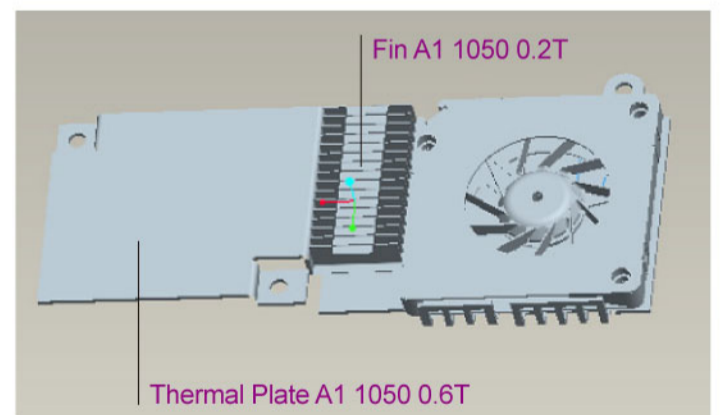
	Size	Model	Operating Voltage(V)	Voltage (V)	Power Current (mA)	Power Consumption (Watts)	Speed (RPM)	Air Flow (l/min)	Static Pressure (Pa)	Noise(dBA)	Weight (g)
Fan Series	8x8x3mm	UF383-100	2.1-3.5	3	93	0.3	13500	0.2	1.56	2.1dBA/0.2M	0.3
	8x8x5mm	UF385-100	2.0-3.5	3	49	0.1	17000	0.6	2	17.1dBA/0.3M	0.44
	10x10x5mm	UF3A5-100	2.7-3.5	3	51	0.2	14600	1.3	3.93	1.4dBA/1M	0.68
	12x12x5mm	UF3C5-100	2.3-3.5	3	33	0.1	7200	1.6	2.63	1.9dBA/0.2M	0.88
	15x15x3mm	UF3F3-100	2.2-3.5	3	30	0.09	1000	5.8	13.7	16.8dBA/30cm	0.76
	15x15x5mm	UF3F5-100	2.3-3.5	3	28	0.1	7200	3.7	4.65	3.7dBA/0.3M	1.2
Blower Series	17x17x3mm	UF3H3-100	2.55-3.5	3	42	0.1	6500	6.5	5.27	5.3dBA/1M	0.96
	9x9x3mm	UB393-100	2-3.5	3	56	0.1	12000	0.91	7.76	12.7dBA/1M	0.47
	12x12x3mm	UB3C3-100	2.2-3.5	3	41	0.13	8400	1.6	10.59	14.2dBA/1M	0.54
	15x15x3mm	UB3F3-100	2.0-3.5	3	42	0.1	6800	2.6	14.45	16.0dBA/1M	0.7
	17x17x3mm	UB3H3-100	2.2-3.5	3	42	0.1	5600	3.0	12.9	21.2dBA/1M	0.78
	30x30x3mm	UB5U3-100	3.5-6	5	62	0.3	4300	7.5	19.54	16.8dBA/1M	0.36

*Please Visit SUNON web site at <http://www.sunon.com> for update information.

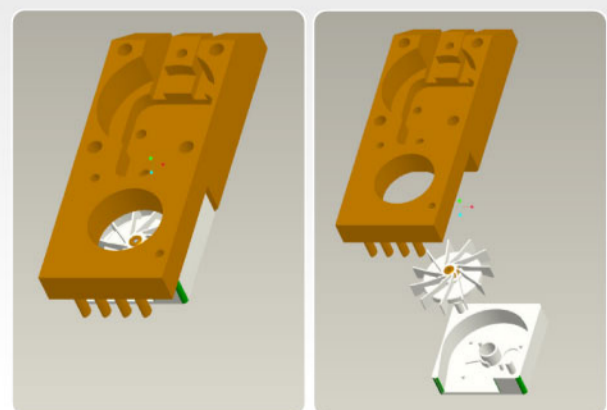
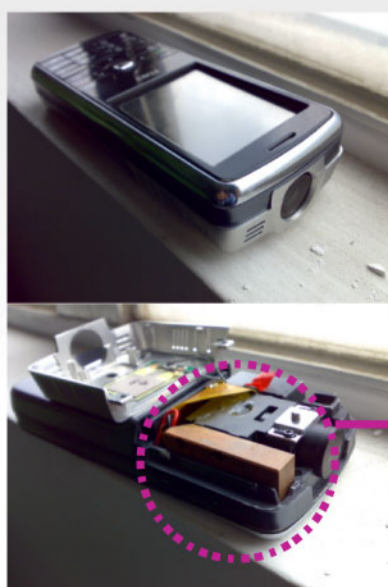
UMPC & MID



Application : UMPC
Dimension : 15.7x7.5x1.5cm
CPU : 0.25W
Chipset : 1.1W
Cooling Solution : Cooling Module with Mighty Mini Blower (30x30x3mm).

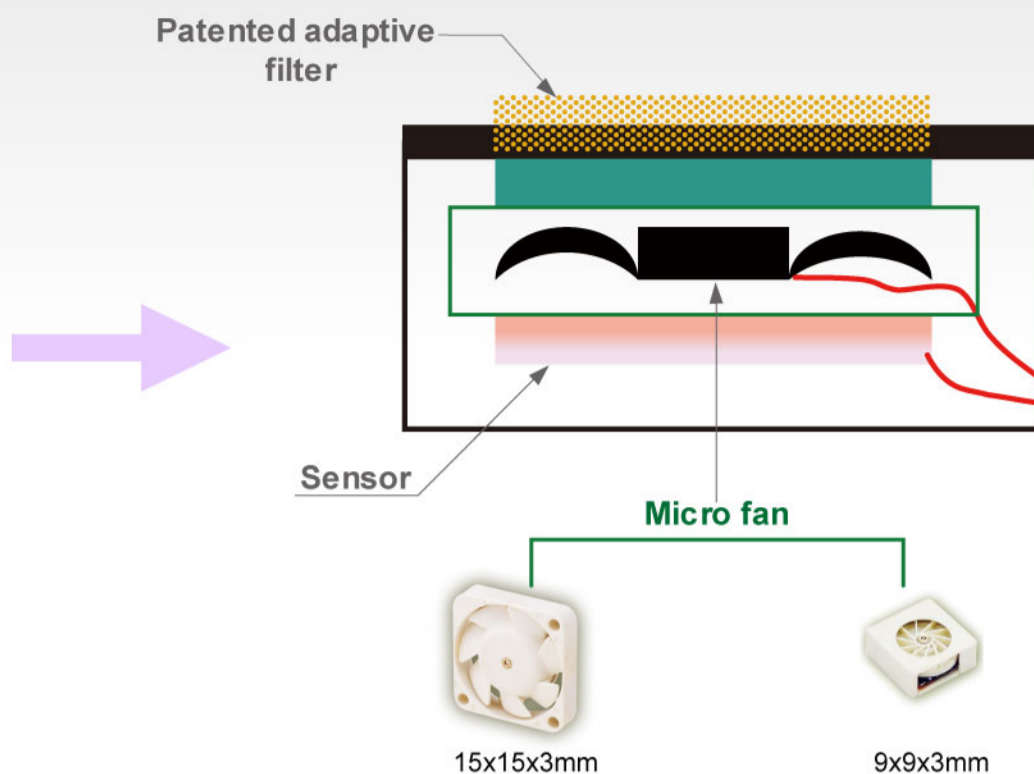


PICO Projector



Application : Pico Projector
Lumens : 10 lm
Cooling Solution : Cooling Module with Mighty Mini Blower (12x12x3mm)

Medical Air Detector



Application : Medical Air Detector

Demands of Fan : Micro fan for ultra wearable device.
Need a fan to inhale the air.

Solution : Mighty Mini Blowers
(9x9x3mm and 15x15x3mm)

Smart Phone



Application : Smart Phone

Product size : 11.5 x 5.6 x 2cm

Power Consumption : 2.5W

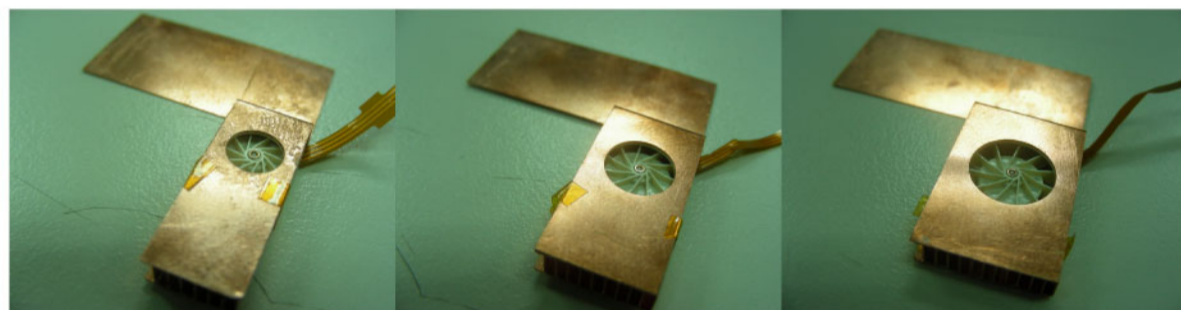
Cooling Solution :

Cooling Module with Mighty Mini Blower
(9x9x3mm, 12x12x3mm, and 15x15x3mm)

9x9x3mm+Module

12x12x3mm+Module

15x15x3mm+Module



● We proceeded respectively airflow testing, temperature testing, vibration testing and noise testing. Below form is the result.

Testing condition	Voltage (V)	Current (A)	Power (W)	Q (CFM)	Ta (°C)	Tc (°C)	ΔTa (°C)	SPL@0.25m (dBA)	SPL@0.25m R(dBA)	Vibration-back (m/s ²)	Vibration-sind (m/s ²)
none					27.24	128.0					
0903+module	3	0.03	0.09	0.03	27.19	101.9	26.1	22.9	21.3	0.426	0.217
1203+module	3	0.04	0.12	0.05	27.24	96.8	31.2	24.1	22.7	0.389	0.271
1503+module	3	0.04	0.12	0.10	27.45	93.5	34.5	24.6	23.0	0.510	0.236

●The **temperature** of Smart Phone with 3W power can be reduced **26°C to 35 °C** by the thermal solution.

●**Noise** level of smart phone is under **25 dBA** at the highest loading. (Background noise of ordinary office :40~50 dBA).

●**Vibration** on smart phone induced by mini-Fan is **0.5 m/s²**. (Vibration of ordinary Mobile Phone:15 m/s²)

●The **module** with **mini-Fan** is the best solution for promoting the performance of Smart Phone. **High** thermal dissipation, **Low** noise and **Low** Vibration.