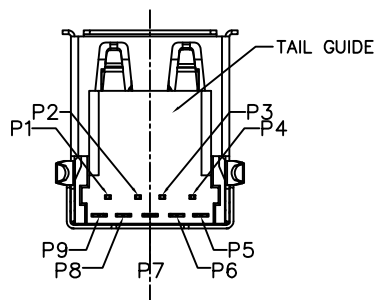


**RECOMMENDED PCB LAYOUT
TOP VIEW (THICKNESS: 1.6±0.1mm)**



PART NUMBER CODE:
10117835-X0XLf

- PLATING OPTION ON CONTACT AREA
- 1: 30u" (0.76um) Min. gold (Durability: 3500)
- 2: Gold Flash (Durability: 1500)
- 3: 15u" (0.38um) Min. gold (Durability: 3000)
- PACKAGE TYPE
- 0: TRAY
- T: TAPE & REEL

Notes:

- 1) Materials and Finish
Housing & Tail Guide: Glass fiber filled thermoplastic resin, UL94 V-0 rated, color blue.
Terminals: Copper Alloy, 50u"(1.27um) Min. Ni underplated over all.
Contact area: see table
Tail area: 80u"(2.0um) Min. Matte Tin plated.
Front Shell: Copper Alloy, 50u"(1.27um) Min. Ni plated over all.
Back Shell: Steel, 80u"(2.0um) Min. Ni plated over all.
- 2) Product specification refer to FCI GS-12-0928.
- 3) Package specification refer to GS-14-2157 .
- 4) Housing will withstand exposure to 260°C peak temperature for 10 seconds in a convection reflow oven
- 5) Product meets European Union Directives and other country regulations as described in FCI GS-22-008.
- 6) Recommended PCB hole is finished plating through hole (PTH) size.
- 7) Datum Z,Y and basic dimensions were constructed by customer.

mat'l. code		surface		tolerance		projection		product family	
		ASME Y14.5		ASME Y14.5		MM		USB 3.0	
itr	ecn no	dr	date	tolerances unless otherwise specified				title	
A	-	BF	01/04/2012	angles	X.±0.30			USB 3.0 Standard-A Receptacle	
B	ELX-N-012221	A.ZH	07/16/2012		X.X±0.25			Right Angle Type	
C	ELX-N-17163	L.Q	03/10/2014	X°±1°	X.XX±0.20	scale		Soldering to Board Termination	
D	ELX-N-17795	L.Q	05/27/2014	dr	BEER FU	2012-01-04			dwg no
E	ELX-N-19547	L.Q	11/21/2014	eng	BEER FU	2012-01-04			sheet 1 of 1
F	ELX-N-21815	L.Q	09/01/2015	chr	BEER FU	2012-01-04			size
				app	BEER FU	2012-01-04			10117835
								type	
								CUSTOMER Drawing	
sheet	revision	F							
index	sheet	1							