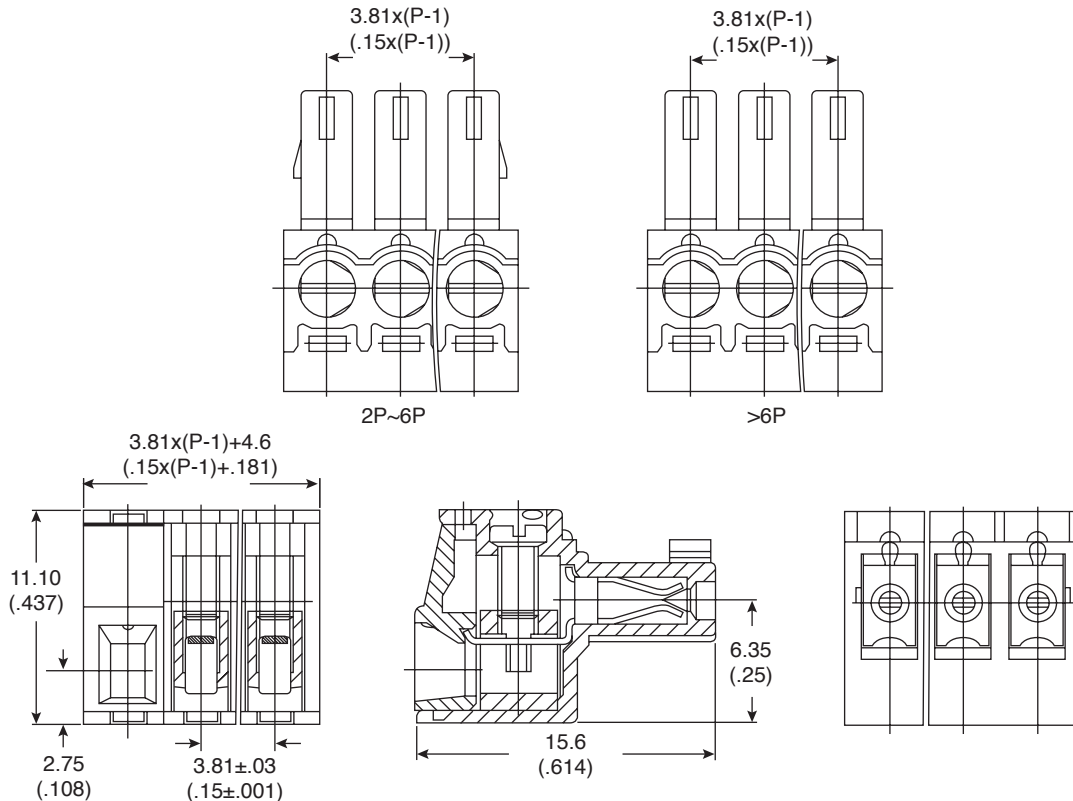


Terminal Block Plugs

158-P02EC381VP Series



Terminal Block Plugs



Dimensions: mm (In.)

ELECTRICAL SPECIFICATIONS

| | |
|---------------------------------------|--------------------------|
| Rating: | 300V 8A |
| Pitch: | 3.81 mm |
| Insulation withstands voltage: | AC 1000V/Min |
| Insulation resistance: | 1000MΩ or more at DC500V |
| Temperature range: | -40°C~ +120°C |
| Screw torque value: | 2kg-cm(MAX) |
| Electric wire: | 22~16 AWG |

MATERIAL SPECIFICATIONS

| | |
|-------------------|-------------------------|
| Clamp: | bronze |
| Screw1: | steel, M2/Zn plated |
| End cover: | PBT, green |
| Wire cage: | hard brass M2/Ni plated |
| Housing: | PBT, green |

Date Last Revised: 6-27-05

Available from Mouser Electronics
1-800-346-6873
www.mouser.com

KC- 300767

158-P02EC381VP Series

Mouser Electronics

Authorized Distributor

Click to View Pricing, Inventory, Delivery & Lifecycle Information:

[Kobiconn:](#)

[158-P04EC381VP](#) [158-P08EC381VP](#) [158-P03EC381VP](#) [158-P02EC381VP](#) [158-P05EC381VP](#) [158-P09EC381VP](#)
[158-P12EC381VP](#) [158-P10EC381VP](#)