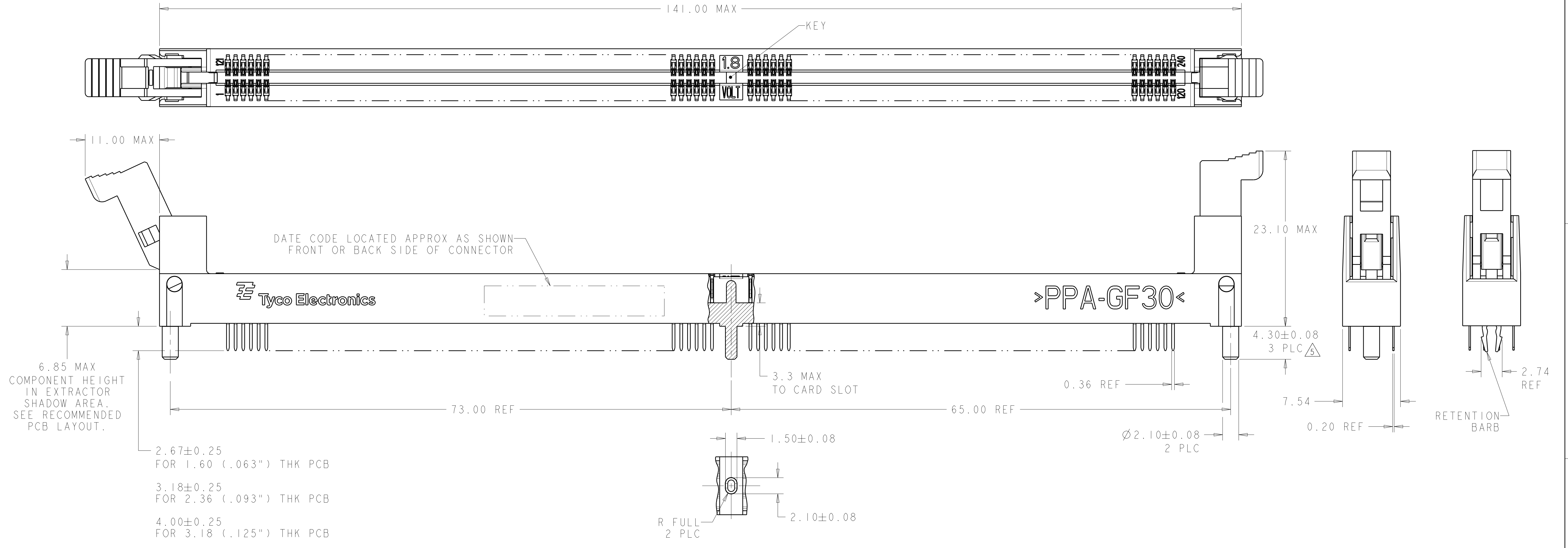
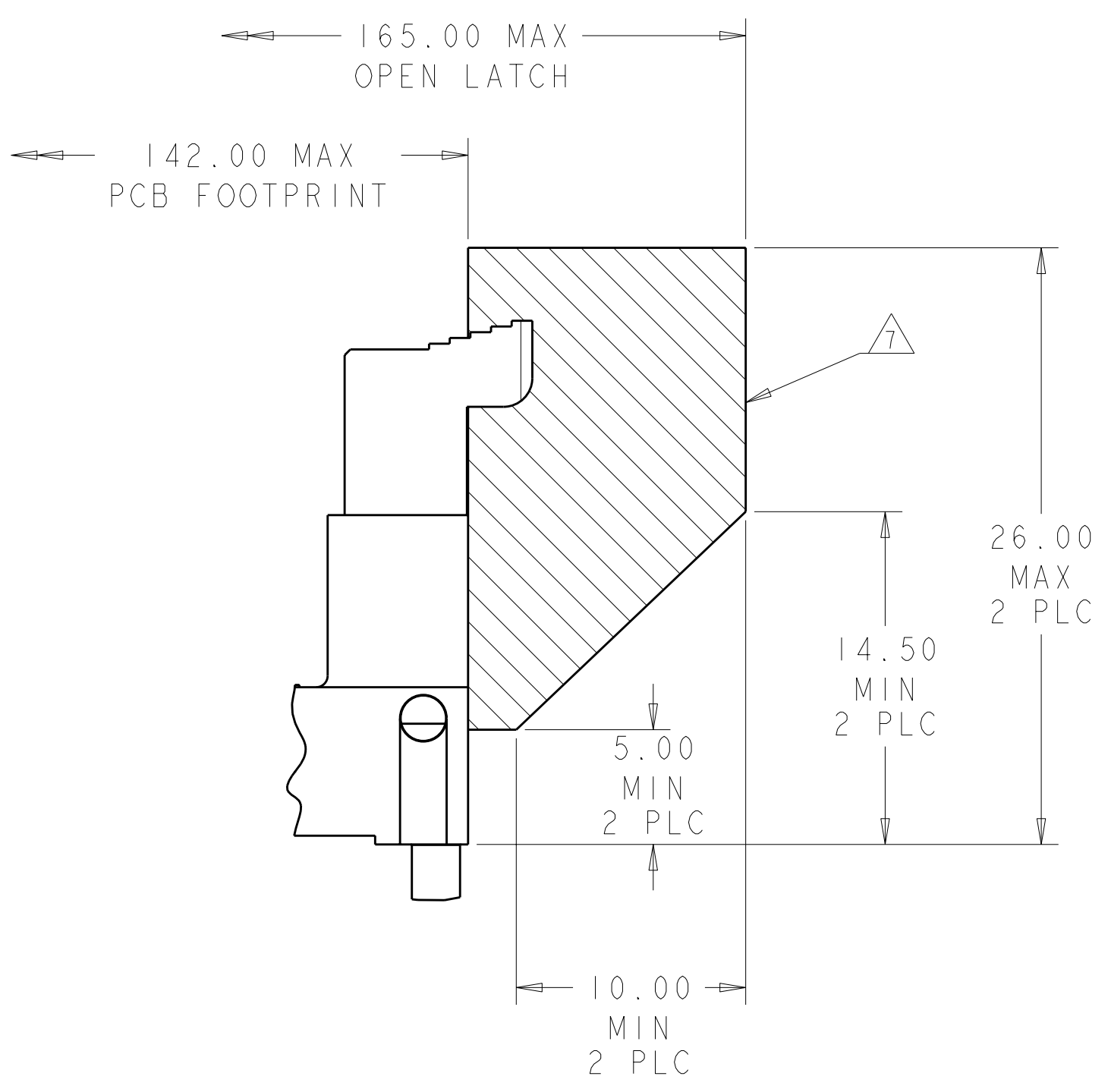


LOC	DIST	REV	DATE	BY	CHK	APPV
GP	00					
B3		REVISED PER ECO-11-005033	09MAY2011	RK		HMR
B4		ECR-11-013206	27JUN2011	D.P		C.W



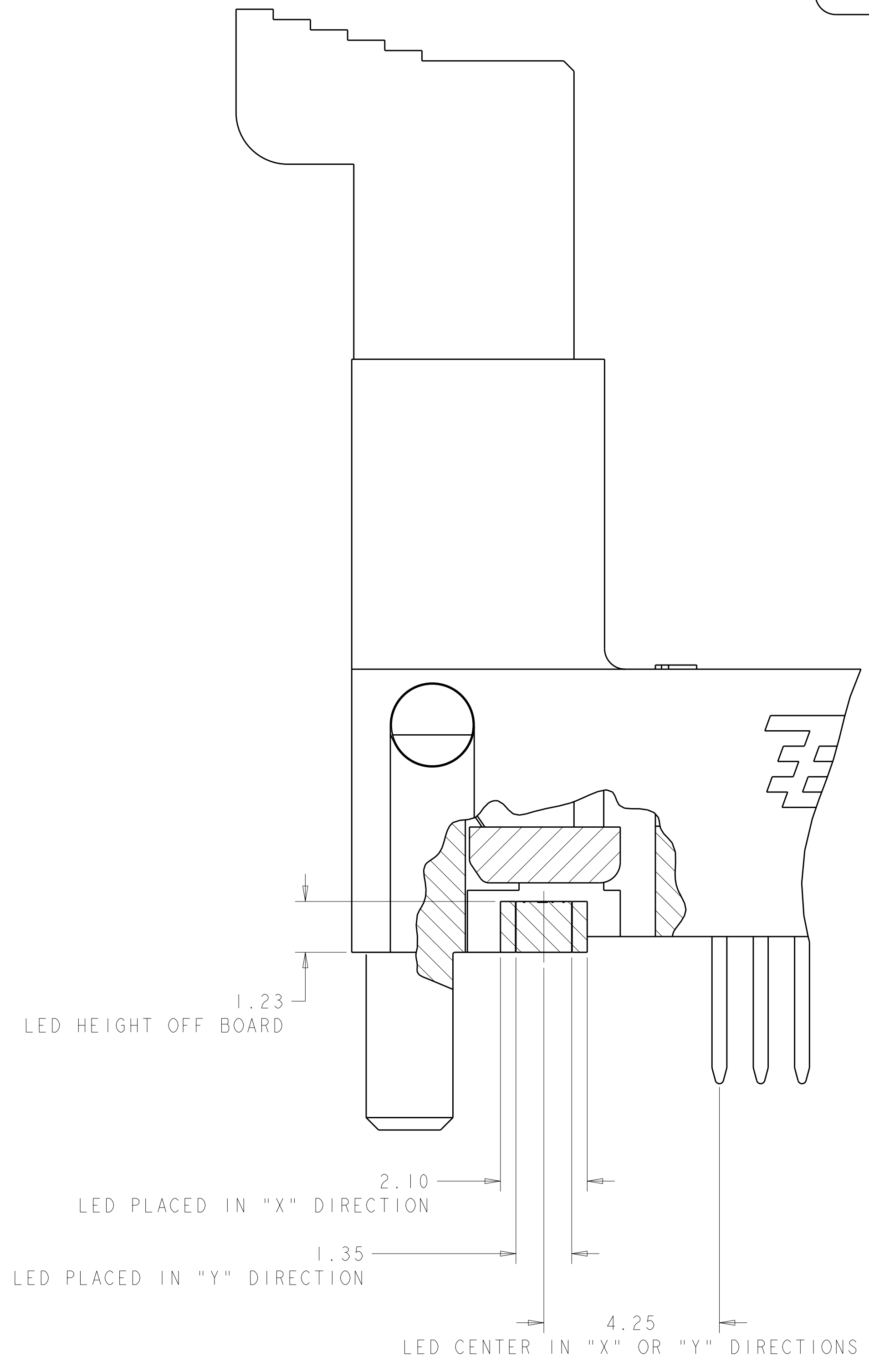
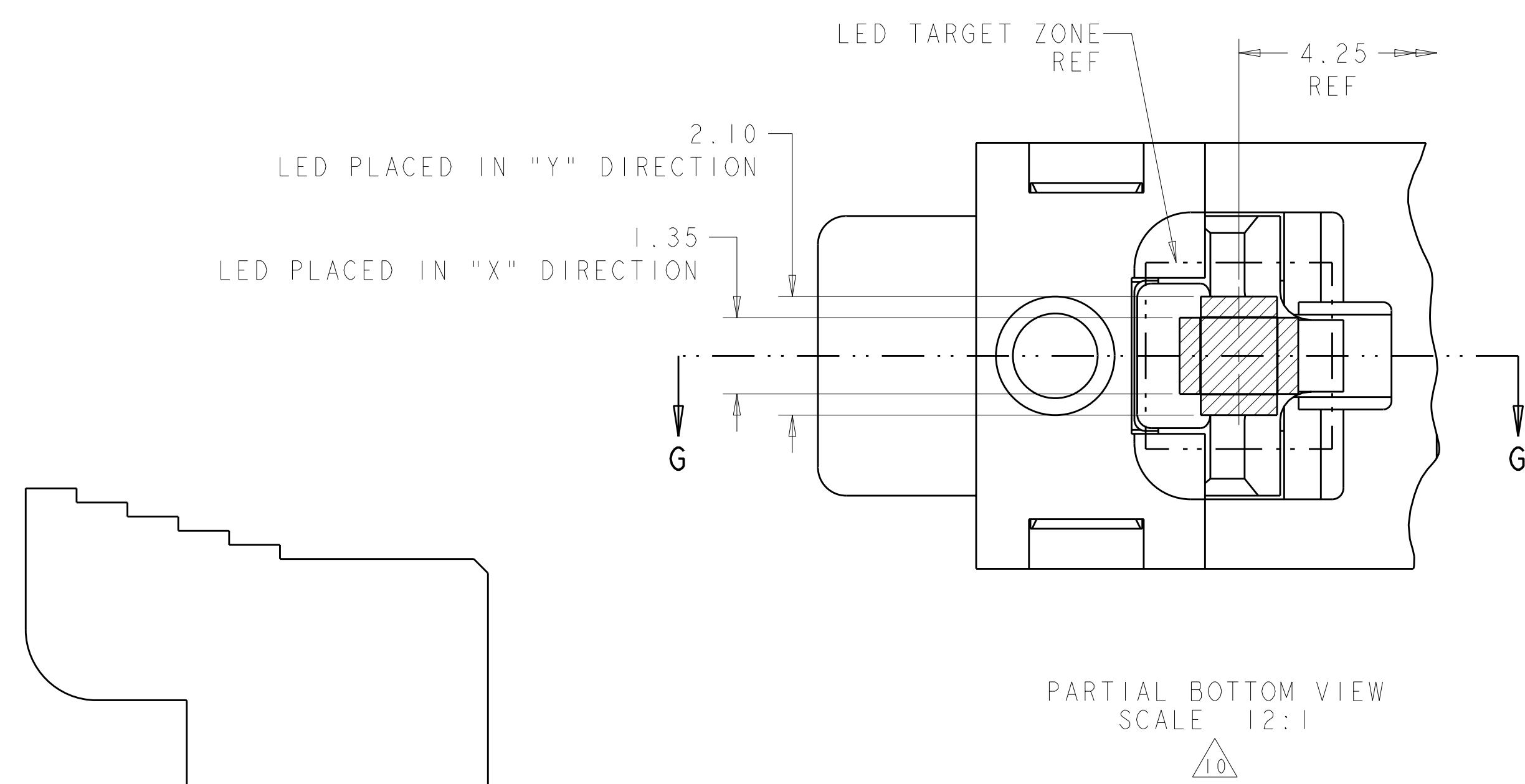
- 1 MATERIALS:**
- HOUSING: HIGH TEMPERATURE NYLON, BLACK, UL94 V-0
 EXTRACTOR: HIGH TEMPERATURE THERMOPLASTIC
 CONTACTS: COPPER ALLOY
 RETENTION BARB: STAINLESS STEEL
- 2 INTERFACE FINISH:**
- (1) 0.00076 MIN THK GOLD OVER 0.00127 MIN THK NICKEL
 (2) 0.00038 MIN THK GOLD OVER 0.00127 MIN THK NICKEL
 (3) 0.00008 MIN THK GOLD OVER 0.00127 MIN THK NICKEL
- 3 RIGHT HOLE IS GLOBAL D-E ORIGIN FOR ALL POSITIONAL TOLERANCES. LEFT AND RIGHT NON-PLATED THRU HOLES ESTABLISH -E-.**
- 4 FINISHED HOLE SIZE. 0.15 MAXIMUM ANULAR RING.**
- 5 RETENTION BARB MAY BE SPECIFIED IN PLACE OF PEGS (3 PLC). DIMENSION INDICATED WOULD THEN BE 4.00 MAX.**
- 6 KEEP OUT ZONE.**
- 7 KEEP OUT AREA RESERVED FOR SOCKET EXTRACTORS, BOTH ENDS.**
- 8 SOLDER TAIL FINISH: 0.00300 MIN THK BRIGHT TIN-LEAD OVER 0.00127 MIN. THK NICKEL.**
- 9 SOLDER TAIL FINISH: 0.00300 MIN THK MATTE TIN OVER 0.00127 MIN. THK NICKEL.**
- 10 LED LOCATION AS APPLICABLE PER CUSTOMER.**
- 11 QUALIFY TO TE CONNECTIVITY DESIGN OBJECTIVES 108-2111-1.**
- 12 QUALIFY TO TE CONNECTIVITY DESIGN OBJECTIVES 108-2111-2.**
- 13 DATUM [-F-] IS CONNECTOR SIDE SURFACE OF PCB.**



THIS DRAWING IS A CONTROLLED DOCUMENT.		DWN: D. RINGLER 04JAN2002	TE Connectivity
DIMENSIONS: mm		CHK: M. CORRELL 04JAN2002	
TOLERANCES UNLESS OTHERWISE SPECIFIED:		APPV: M. CORRELL 20JUN2003	NAME: SOCKET ASSEMBLY, DDR II SOLDER TAIL, 240 POSITION
9 PLC ± 1 PLC ±0.5 3 PLC ±0.13 5 PLC ±0.013 4 PLC ± ANGLES ±		PRODUCT SPEC	SIZE: CAGE CODE: DRAWING NO: A100779C=1489841
MATERIAL: -		APPLICATION SPEC	RESTRICTED TO: -
FINISH: -		WEIGHT: -	SCALE: 4:1 SHEET 1 OF 3 REV: B4
CUSTOMER DRAWING			

LOC	DIST	REV	DATE	BY	APPD
GP	00				

REVISIONS		
NO.	DESCRIPTION	DATE
-	SEE SHEET 1	-



	BLACK	9	0.00038 MIN	3.18	RETENTION BARB	3-1489841-9	12
	BLACK	9	0.00038 MIN	2.67	RETENTION BARB	3-1489841-8	12
	BLACK	8	0.00038 MIN	2.67	RETENTION BARB	3-1489841-7	12
SUPERCEDED BY 3-1489841-3	NATURAL	9	0.00000 MIN	4.00	RETENTION BARB	3-1489841-6	12
SUPERCEDED BY 3-1489841-2	NATURAL	9	0.00000 MIN	3.18	RETENTION BARB	3-1489841-5	12
SUPERCEDED BY 3-1489841-1	NATURAL	9	0.00008 MIN	2.67	RETENTION BARB	3-1489841-4	12
	NATURAL	9	0.00038 MIN	4.00	RETENTION BARB	3-1489841-3	12
	NATURAL	9	0.00038 MIN	3.18	RETENTION BARB	3-1489841-2	12
	NATURAL	9	0.00038 MIN	2.67	RETENTION BARB	3-1489841-1	12
	NATURAL	9	0.00076 MIN	4.00	RETENTION BARB	3-1489841-0	11
	NATURAL	9	0.00076 MIN	3.18	RETENTION BARB	2-1489841-9	11
	NATURAL	9	0.00076 MIN	2.67	RETENTION BARB	2-1489841-8	11
SUPERCEDED BY 2-1489841-4	NATURAL	9	0.00000 MIN	4.00	PLASTIC POST	2-1489841-7	12
SUPERCEDED BY 2-1489841-3	NATURAL	9	0.00000 MIN	3.18	PLASTIC POST	2-1489841-6	12
SUPERCEDED BY 2-1489841-2	NATURAL	9	0.00000 MIN	2.67	PLASTIC POST	2-1489841-5	12
	NATURAL	9	0.00038 MIN	4.00	PLASTIC POST	2-1489841-4	12
	NATURAL	9	0.00038 MIN	3.18	PLASTIC POST	2-1489841-3	12
	NATURAL	9	0.00038 MIN	2.67	PLASTIC POST	2-1489841-2	12
OBSOLETE	NATURAL	9	0.00076 MIN	4.00	PLASTIC POST	2-1489841-1	11
	NATURAL	9	0.00076 MIN	3.18	PLASTIC POST	2-1489841-0	11
	NATURAL	9	0.00076 MIN	2.67	PLASTIC POST	1-1489841-9	11
SUPERCEDED BY 3-1489841-3	NATURAL	8	0.00008 MIN	4.00	RETENTION BARB	1-1489841-8	12
SUPERCEDED BY 3-1489841-2	NATURAL	8	0.00000 MIN	3.18	RETENTION BARB	1-1489841-7	12
SUPERCEDED BY 3-1489841-1	NATURAL	8	0.00000 MIN	2.67	RETENTION BARB	1-1489841-6	12
SUPERCEDED BY 3-1489841-3	NATURAL	8	0.00030 MIN	4.00	RETENTION BARB	1-1489841-5	12
	NATURAL	8	0.00038 MIN	3.18	RETENTION BARB	1-1489841-4	12
	NATURAL	8	0.00038 MIN	2.67	RETENTION BARB	1-1489841-3	12
SUPERCEDED BY 3-1489841-0	NATURAL	8	0.00076 MIN	4.00	RETENTION BARB	1-1489841-2	11
	NATURAL	8	0.00076 MIN	3.18	RETENTION BARB	1-1489841-1	11
SUPERCEDED BY 2-1489841-8	NATURAL	8	0.00076 MIN	2.67	RETENTION BARB	1-1489841-0	11
SUPERCEDED BY 2-1489841-4	NATURAL	8	0.00000 MIN	4.00	PLASTIC POST	1489841-9	12
SUPERCEDED BY 2-1489841-3	NATURAL	8	0.00000 MIN	3.18	PLASTIC POST	1489841-8	12
SUPERCEDED BY 2-1489841-2	NATURAL	8	0.00000 MIN	2.67	PLASTIC POST	1489841-7	12
SUPERCEDED BY 2-1489841-4	NATURAL	8	0.00030 MIN	4.00	PLASTIC POST	1489841-6	12
SUPERCEDED BY 2-1489841-3	NATURAL	8	0.00038 MIN	3.18	PLASTIC POST	1489841-5	12
SUPERCEDED BY 2-1489841-2	NATURAL	8	0.00030 MIN	2.67	PLASTIC POST	1489841-4	12
SUPERCEDED BY 2-1489841-1	NATURAL	8	0.00076 MIN	4.00	PLASTIC POST	1489841-3	11
SUPERCEDED BY 2-1489841-0	NATURAL	8	0.00076 MIN	3.18	PLASTIC POST	1489841-2	11
SUPERCEDED BY 1-1489841-9	NATURAL	8	0.00076 MIN	2.67	PLASTIC POST	1489841-1	11
	EXTRACTOR COLOR	SOLDER TAIL	CONTACT GOLD INTERFACE	TAIL LENGTH	HOUSING STYLE	PART NUMBER	

THIS DRAWING IS A CONTROLLED DOCUMENT.

DIMENSIONS:	TOLERANCES UNLESS OTHERWISE SPECIFIED:	04JAN2002	04JAN2002
mm	0 PLC ±0.5	DWY M. CORRELL	M. CORRELL
	1 PLC ±0.13	APVD M. CORRELL	20JUN2003
	2 PLC ±0.013		
	3 PLC ±0.013		
	4 PLC ±0.013		
	ANGLES ±0.5		
	FINISH		

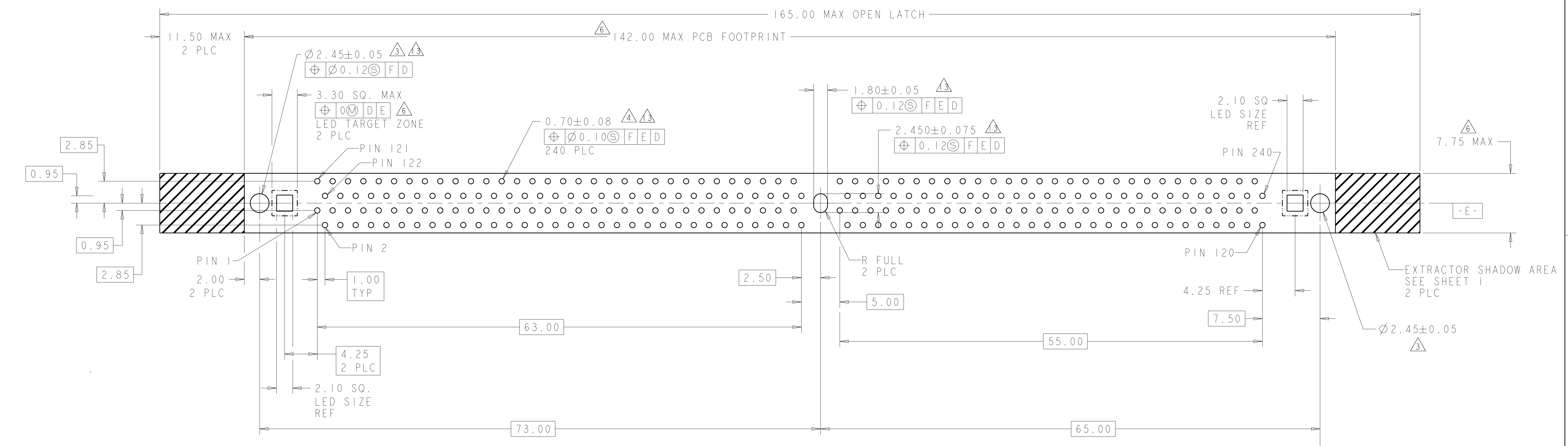
STE TE Connectivity

SOCKET ASSEMBLY,
DDR II SOLDER TAIL,
240 POSITION

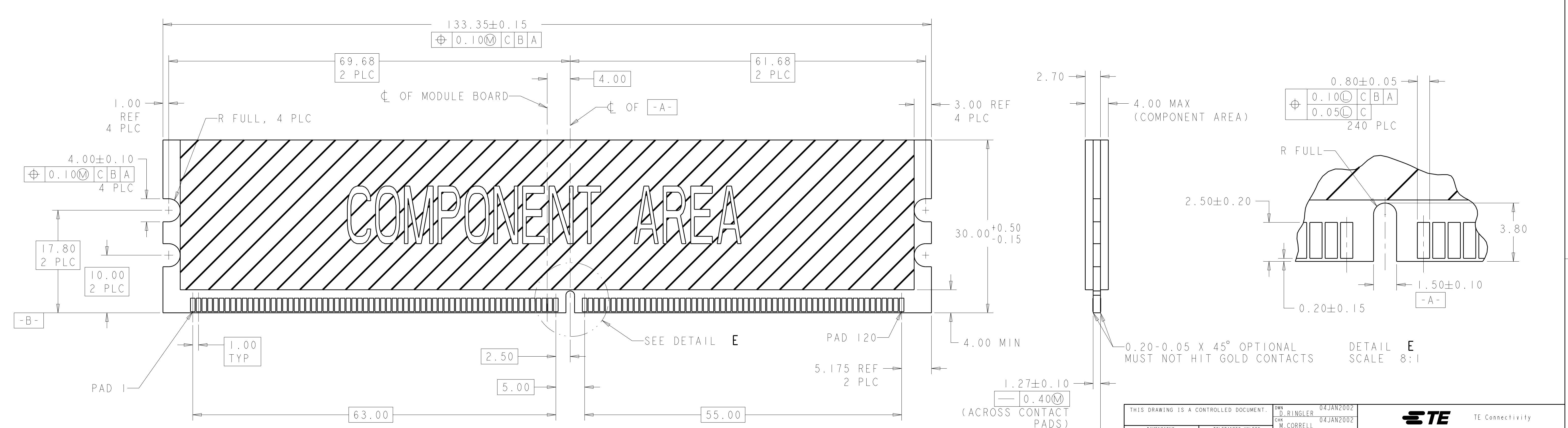
SCALE 4:1 SHEET 2 OF 3 REV B4

LOC	DIST	REV	DATE	BY	APPV
GP	00				

REVISIONS		DATE	BY	APPV
1	SEE SHEET 1			



RECOMMENDED PCB LAYOUT
VIEWED FROM CONNECTOR SIDE



RECOMMENDED MODULE LAYOUT
SCALE 3:1

THIS DRAWING IS A CONTROLLED DOCUMENT.		DWN: D. RINGLER 04JAN2002 CHW: M. CORRELL 04JAN2002 APV: M. CORRELL 20JUN2003	STE TE Connectivity NAME: SOCKET ASSEMBLY, DDR II SOLDER TAIL, 240 POSITION SIZE: A100779 C=1489841 SCALE: 1:1 SHEET 3 OF 3 REV: B4
DIMENSIONS:	TOLERANCES UNLESS OTHERWISE SPECIFIED:	PRODUCT SPEC:	RESTRICTED TO:
mm	9 PLC ±.5 1 PLC ±0.5 3 PLC ±0.13 5 PLC ±0.013 4 PLC ±. ANGLES ±.	APPLICATION SPEC:	
MATERIAL:	FINISH:	WEIGHT:	
		CUSTOMER DRAWING	