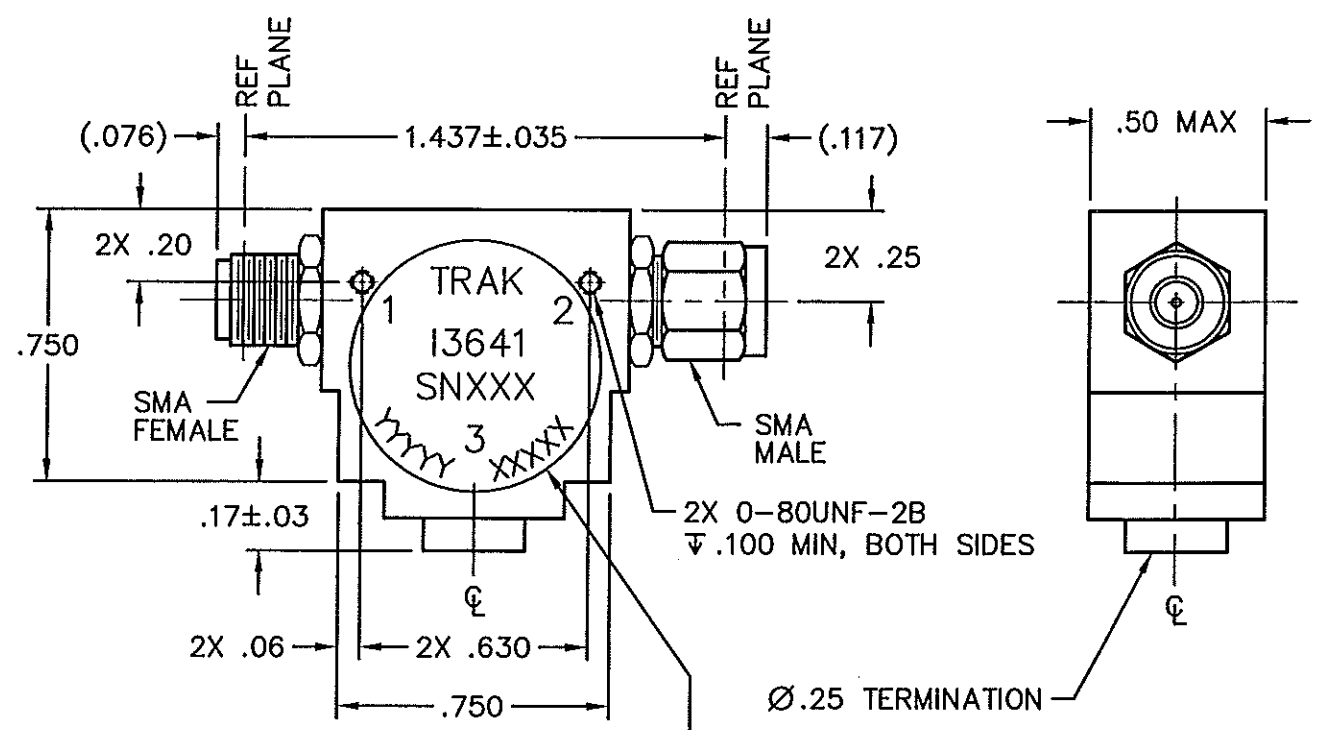


REVISIONS				
ZONE	LTR	DESCRIPTION	DATE	APPROVED
	B	ECN 27891	990708	J.H.
	C	ECN 28498	000821	J.H.
	D	ECN 30016	030716	J.H.

J.H.



FOR REFERENCE ONLY

- NOTES:
- △ FINISH:
ENCLOSURE: BRIGHT NICKEL PLATE
CONNECTOR: STAINLESS STEEL (CRES),
PASSIVATED
 - ELECTRICAL SPECIFICATIONS:

 - FREQ 3.6 TO 4.1 GHz
 - ISOLATION 18dB MIN
 - INSERTION LOSS 0.5dB MAX
(0.3dB MAX AT 3.6 TO 3.8 GHz)
 - VSWR 1.2:1 MAX
 - LEAKAGE: 85dB MAX (MEASURE WITH
A QUARTER WAVE LENGTH MONOPOLE
ANTENNA AT 3.6 GHz)
 - TEMPERATURE RANGE:

 - OPERATING: 0°C TO +65°C
 - MARKINGS ARE IN ACCORDANCE WITH MIL-STD-130.
SIZE AND LOCATION APPROXIMATELY AS SHOWN.
 - HEWLETT PACKARD SPEC NO. A-0955-0214-1
(FOR REFERENCE ONLY).

MARKING DETAILS		
MANUFACTURER'S LOCATION	YYYYY	XXXXX
TRAK TAMPA	CAGE	12855
TRAK EUROPE	NCAGE	U8908

COVER SIDE SHOWN

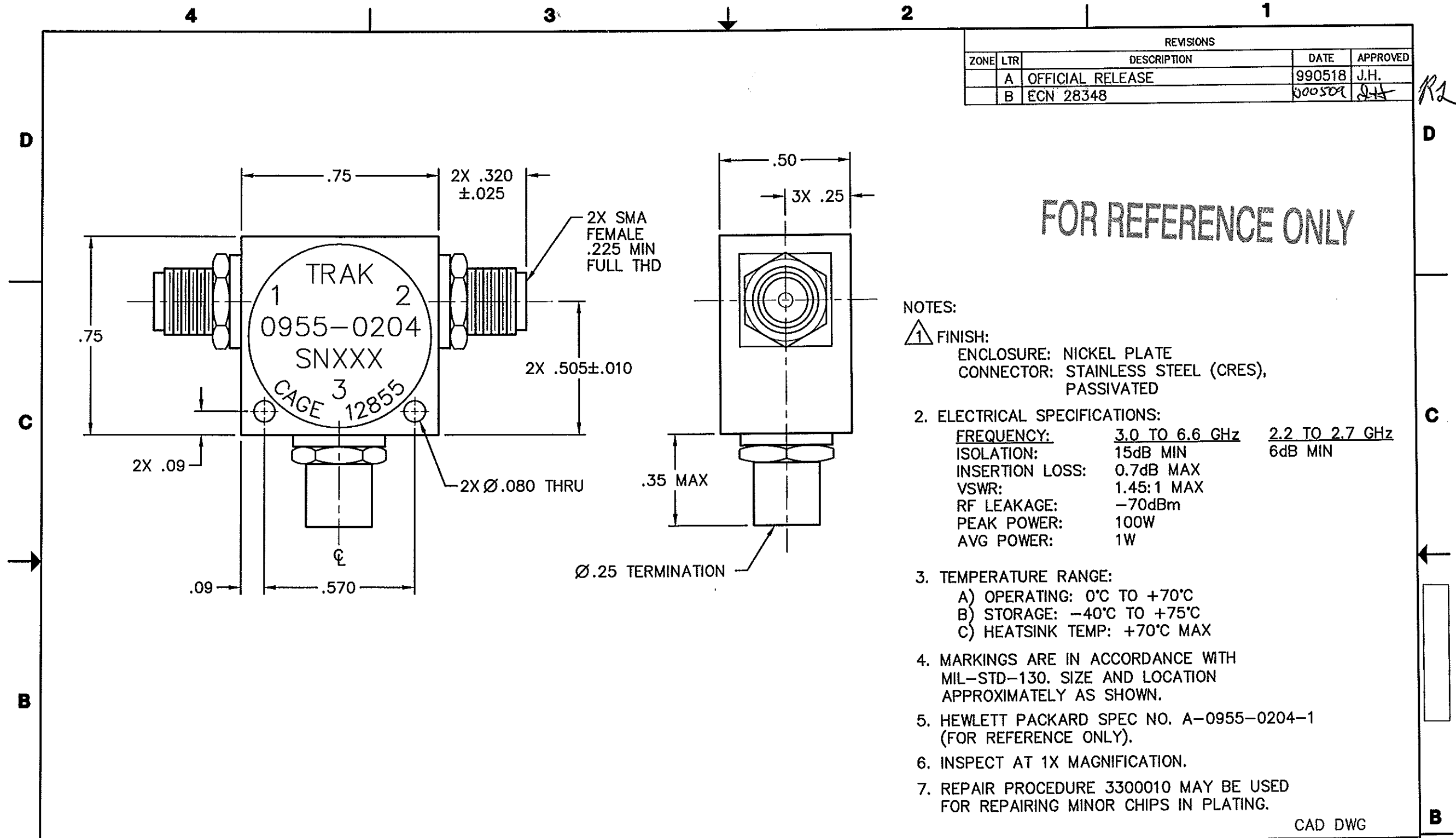
CAD DWG

				-103	-102	-101	CODE	DWG	PART OR	NOMENCLATURE	ITEM
				QTY REQ'D	IDENT	SIZE	IDENTIFYING NO.	OR DESCRIPTION	NO.		
LIST OF MATERIALS											
DIMENSIONS ENCLOSED IN BRACKETS [] ARE EXPRESSED IN MILLIMETERS. TOLERANCE UNLESS OTHERWISE SPECIFIED 2 PLACE DIM ±.01 3 PLACE DIM ±.005 4 PLACE DIM BASIC UNLESS OTHERWISE SPECIFIED, TOLERANCES ON MILLIMETERS ARE: 2 PLACE DIM. 0.25 mm 3 PLACE DIM. 0.127 mm 4 PLACE DIM. BASIC Except as may be otherwise provided by contract, this document is the property of TRAK Microwave Corporation and its divisions. It shall be received by such sources in total confidence and shall not be reproduced, copied, released to any third party or parties, nor used for manufacture or sale of the articles without prior written authorization.				DRAWING PER DOD-STD-100 DIMENSIONING PER ANSI Y14.5		CONTRACT NO.		TRAK MICROWAVE 4726 Eisenhower Boulevard Tampa, Florida 33634 <input checked="" type="checkbox"/> MICROWAVE CORP. <input type="checkbox"/> SYSTEMS DIV.			
				ENCLOSURE: CRES		DRAWN R. LINDSAY 960229					
FINISH △		MATERIAL		CHK F. PARDO 960326		TITLE		OUTLINE, ISOLATOR			
				ENG K.M. Culley 960304		PROJ ENG K.M. Culley 960304					
				MECH ENG P. SZYLOWSKI 960909		SIZE		CAGE NO. DWG NO. REV			
				Q.A. M. MANOS 960910		C X 12855 11165		13641 D			
						SCALE NONE		SHT 1 OF 1			

DASH NO.	NEXT ASSEMBLY	USED ON	N/A	U/O	QTY REQ

APPLICATION

REVISIONS				
ZONE	LTR	DESCRIPTION	DATE	APPROVED
	A	OFFICIAL RELEASE	990518	J.H.
	B	ECN 28348	000509	JH



COVER SIDE SHOWN

				-103	-102	-101	CODE	DWG	PART OR	NOMENCLATURE		ITEM
				QTY REQ'D	IDENT	SIZE	IDENTIFYING NO.	OR DESCRIPTION		OR DESCRIPTION		NO.
LIST OF MATERIALS												
				DRAWING PER DOD-STD-100 DIMENSIONING PER ANSI Y14.5				CONTRACT NO.		<input checked="" type="checkbox"/> TRAK MICROWAVE <input checked="" type="checkbox"/> MICROWAVE CORP. <input type="checkbox"/> SYSTEMS DIV.		
				ENCLOSURE: CRES				DRAWN L. RAMIREZ 990517		4728 Eisenhower Boulevard Tampa, Florida 33634		
				FINISH \triangle				CHK		TITLE OUTLINE, ISOLATOR		
								ENG J. HELENEK 990518				
								PROJ ENG				
								MECH ENG J. GIL 990518		SIZE C		REV B
								Q.A. R.D. RODRIGUEZ 990518		CAGE NO. \times 12855 11165		DWG NO. 60A6221
										SCALE 4/1		SHT 1 OF 1

DIMENSIONS ENCLOSED IN BRACKETS [] ARE EXPRESSED IN MILLIMETERS.				 THIRD ANGLE PROJECTION			TOLERANCE UNLESS OTHERWISE SPECIFIED 2 PLACE DIM $\pm .01$ 3 PLACE DIM $\pm .005$ 4 PLACE DIM BASIC		
UNLESS OTHERWISE SPECIFIED, TOLERANCES ON MILLIMETERS ARE:									
2 PLACE DIM.		3 PLACE DIM.		4 PLACE DIM.					
0.25 mm		0.127 mm		BASIC					
Except as may be otherwise provided by contract, this document is the property of TRAK Microwave Corporation and its divisions. If released to other sources, it shall be received by such sources in total confidence and shall not be reproduced, copied, released to any third party or parties, nor used for manufacture or sale of the articles without prior written authorization.									
DASH NO.	NEXT ASSEMBLY	USED ON	N/A	U/O	QTY REQ				
APPLICATION									