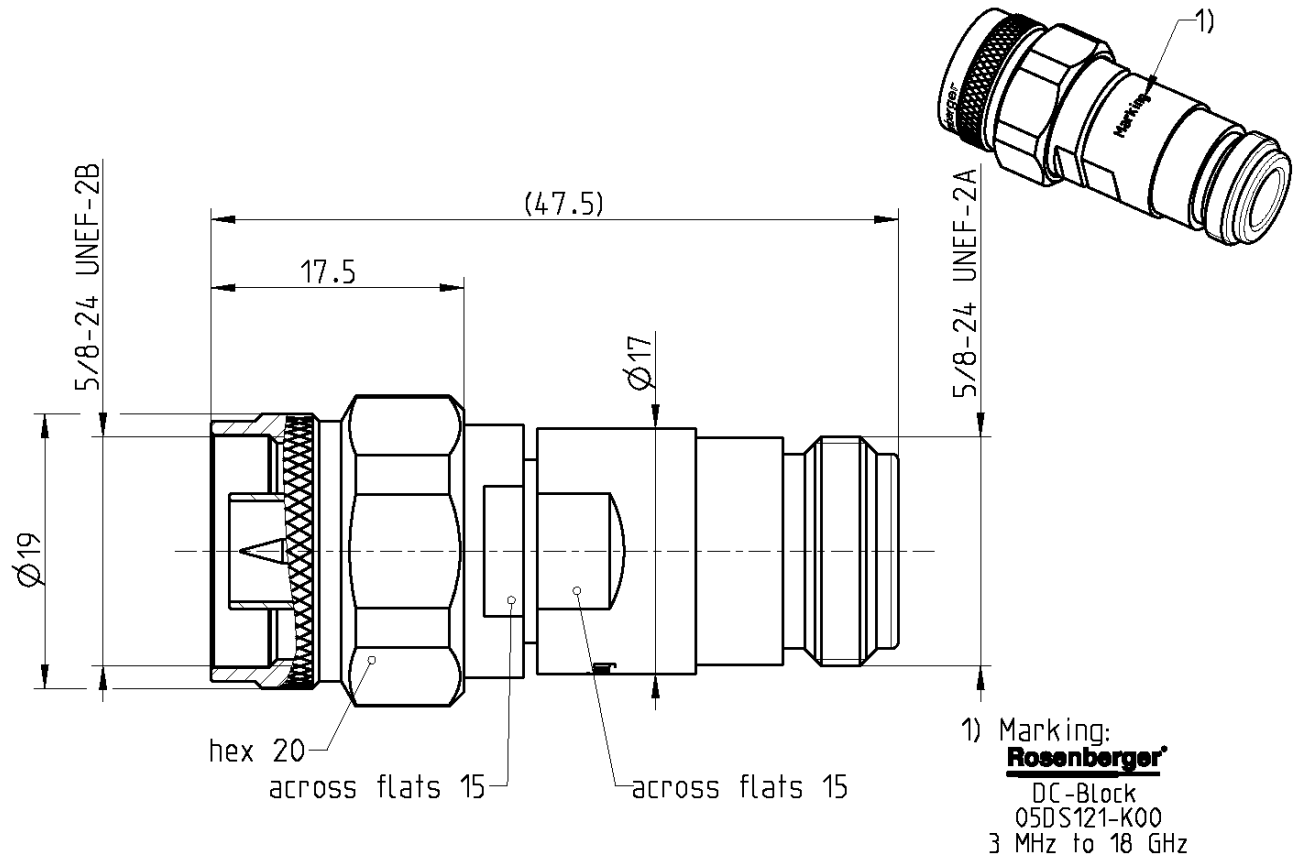


RPC-N  
50 Ω

DC-Block  
plug - jack

**05DS121-K00S3**



All dimensions are in mm; tolerances according to ISO 2768 m-H

**Interface**

According to IEC 61169-16; MIL-STD 348A/402

**Documents**

N/A

**Material and plating**

**Connector parts**

Center contact  
Outer contact  
Coupling nut  
Dielectric

**Material**

CuBe  
Stainless steel  
Stainless steel  
PPE

**Plating**

Gold, min. 1.27 μm, over chemical nickel  
Passivated  
Passivated

# Technical Data Sheet

# Rosenberger

RPC-N  
50 Ω

DC-Block  
plug - jack

## 05DS121-K00S3

### Electrical data

Impedance	50 Ω
Frequency	3 MHz to 18 GHz
Return loss	≥ 25 dB, 3 MHz to 18 GHz
Insertion loss	≤ 1.0 dB, 3 MHz to 18 GHz
Insulation resistance	≥ 5 GΩ
Working voltage (at sea level)	50 Vdc max.
Capacity	3000 pF
Block type	Center contact only

### Mechanical data

Mating cycles	≥ 500
Center contact captivation	≥ 28 N
Coupling test torque	1.70 Nm
Recommended torque	0.70 Nm to 1.10 Nm

### Environmental data

Temperature range	-40°C to +85°C
Thermal shock	IEC 61169-1, Subclause 9.4.4
Corrosion	IEC 61169-1, Subclause 9.4.6
Vibration	IEC 61169-1, Subclause 9.3.3
Shock	IEC 61169-1, Subclause 9.3.14
Moisture resistance	IEC 61169-1, Subclause 9.4.3
RoHS	compliant

### Tooling

N/A

### Suitable cables

N/A

### Weight

61.5 g/pce

While the information has been carefully compiled to the best of our knowledge, nothing is intended as representation or warranty on our part and no statement herein shall be construed as recommendation to infringe existing patents. In the effort to improve our products, we reserve the right to make changes judged to be necessary.

Draft	Date	Approved	Date	Rev.	Engineering change number	Name	Date
H. Babinger	27.07.04	F. Reiner	02.07.18	d01	18-1026	M. Ruf	29.06.18

Rosenberger Hochfrequenztechnik GmbH & Co. KG  
P.O.Box 1260 D-84526 Tittmoning Germany  
[www.rosenberger.de](http://www.rosenberger.de)

Tel. : +49 8684 18-0  
Email : [info@rosenberger.de](mailto:info@rosenberger.de)

Page

2 / 2