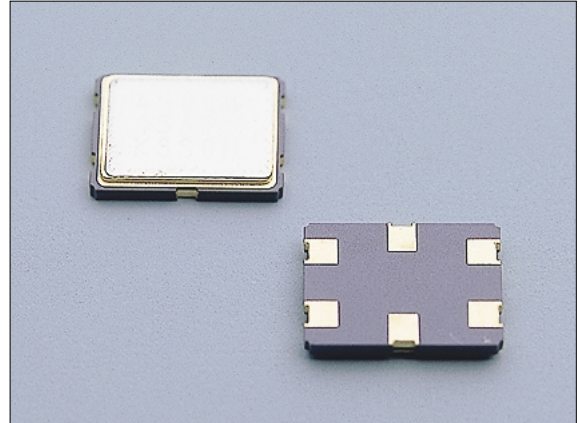


# FP2 Series

## Features

- Compact and thin. (Height=1.3mm)
- Excellent vibration resistance and shock resistance.
- Designed for automatic mounting and reflow soldering.

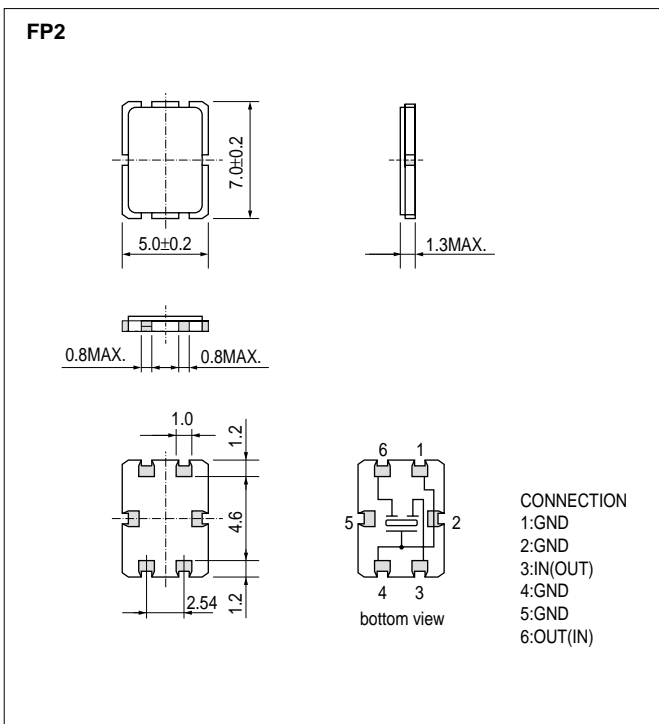


## Specifications

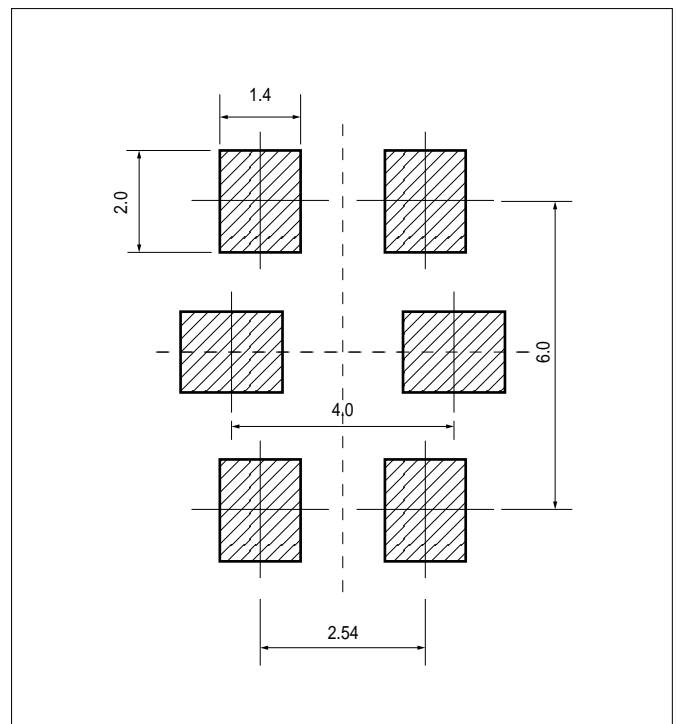
Type	Number of inner units	Pass Bandwidth		Ripple	Insertion Loss	Stop Bandwidth		Terminating Impedance	Operating Temp.Range
		dB	kHz MIN	dB MAX	dB MAX	dB	kHz MAX	$\Omega/\mu\text{F}$	$^{\circ}\text{C}$
MXF21.4-15A-FP2	1	3	$\pm 7.5$	0.5	1.5	18	$\pm 25$	1.5k//2.5	-20~+70
MXF21.7-8A-FP2	1	3	$\pm 3.5$	1	2	16	$\pm 12.5$	1.5k//6	-20~+70
MXF45-15AF-FP2	1	3	$\pm 7.5$	1	2.5	14	$\pm 25$	550//3	-20~+70
MXF45-30AF-FP2	1	3	$\pm 15$	1	2	15	$\pm 50$	1.2k//1.5	-20~+70
MXF55-26AF-FP2	1	3	$\pm 13$	1	3	27	$\pm 100$	750//2.7	-20~+70

\* Taping item packaging : one unit 1,000 pcs

## Outline



## Land Pattern(reference)



Dimensions(mm)