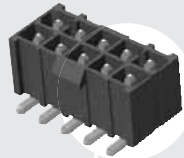




IPBT-105-H2-T-D-K



IPBT-108-H1-T-D-RA-K



IPBT-105-H1-T-D-GP



**IPBT SERIES**

(4.19 mm) .165"

# ISOLATED TERMINAL POWER HEADER

## SPECIFICATIONS

For complete specifications see [www.samtec.com?IPBT](http://www.samtec.com?IPBT)

- Insulator Material:** Black Liquid Crystal Polymer
- Contact Material:** High Copper Alloy
- Plating:** Sn over 50µm (1.27 µm) Ni
- Operating Temp Range:** -55°C to +105°C
- Voltage Rating:** 400 VAC/565 VDC
- RoHS Compliant:** Yes
- Lead-Free Solderable:** Yes

## RECOGNITIONS

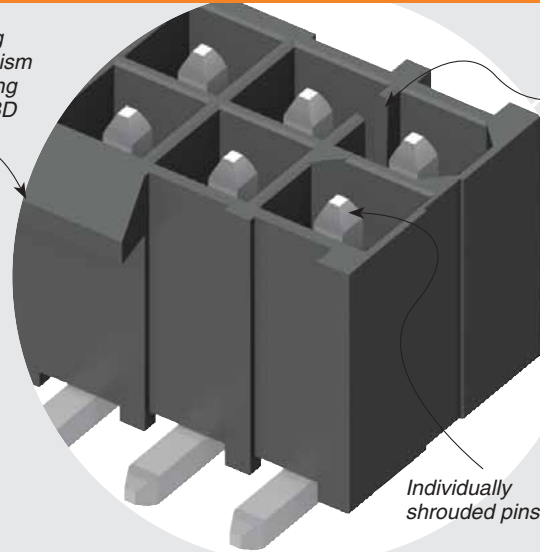
For complete scope of recognitions see [www.samtec.com/quality](http://www.samtec.com/quality)



**Mates with:**  
IPBS, IPBD,  
PMSD, PMSS

IPBT/IPBS	
PINS POWERED	CURRENT RATING (PER CONTACT)
2	10.3 A
4	8.4 A
6	7.6 A
8	7.1 A
30	6.0 A

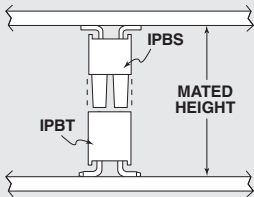
Latching mechanism for mating with IPBD Series



Keyed Polarization

- Individually shrouded contacts
- Polarized guide post hole option

## APPLICATION



IPBT/IPBS LEAD STYLE	MATED HEIGHT*
H1-01	(15.25) .600
-H2-02	(16.84) .663

\*Processing conditions will affect mated height.

**IPBT** — **1** NO. OF POSITIONS PER ROW — **LEAD STYLE** — **PLATING OPTION** — **ROW OPTION** — **OPTION**

02, 03, 04, 05, 08, 10, 15  
(-D only)

02, 03, 04, 05, 08, 10  
(-S only)  
(Standard sizes)

-H1 = Through-Hole  
-H2 = Surface Mount

-T = Matte Tin

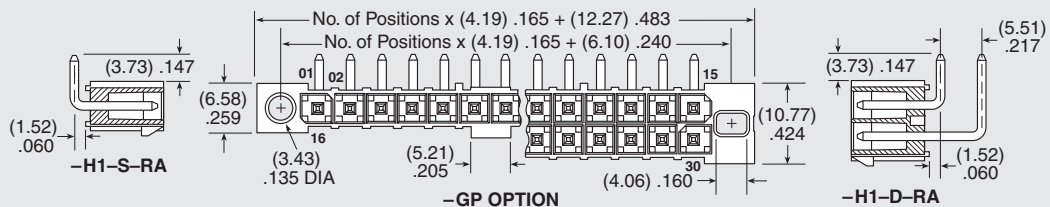
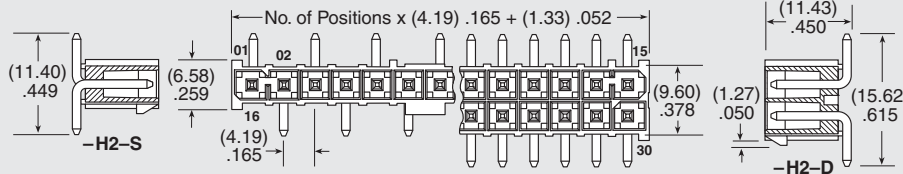
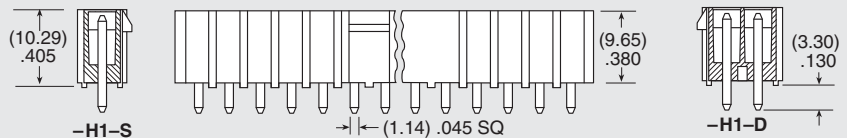
-S = Single Row  
-D = Double Row

-RA = Right Angle (Lead Style -H1 only)  
-GP = Guide Post Holes (8 positions not available)

-K = Keyed Polarization (not available with -GP option, is required callout if -GP not called out)

## ALSO AVAILABLE (MOQ Required)

- Other sizes
  - Other lead styles
- Contact Samtec.



**Note:** Some lengths, styles and options are non-standard, non-returnable.