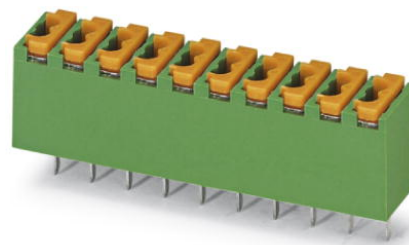


## FK-MPT 0,5/ 2-3,5

Order No.: 1891069

The figure shows a 10-position version of the product

<http://eshop.phoenixcontact.de/phoenix/treeViewClick.do?UID=1891069>

PC terminal block, Nominal current: 4 A, Nom. voltage: 160 V, Pitch: 3.5 mm, Number of positions: 2, Type of connection: Spring-cage conn., Assembly: Soldering, Conductor/PCB connection direction: 90 °, Color: green

### Commercial data

EAN	4017918169589
Pack	50 pcs.
Customs tariff	85366990
Weight/Piece	0.0009 KG
Catalog page information	Page 451 (CC-2009)

### Product notes

WEEE/RoHS-compliant since:  
01/01/2003

<http://www.download.phoenixcontact.com>  
Please note that the data given here has been taken from the online catalog. For comprehensive information and data, please refer to the user documentation. The General Terms and Conditions of Use apply to Internet downloads.

### Technical data

#### Dimensions / positions

Length	7 mm
Pitch	3.5 mm
Dimension a	3.5 mm

Number of positions	2
Pin dimensions	0,4 x 0,9 mm
Hole diameter	1 mm

**Technical data**

Insulating material group	IIIa
Rated surge voltage (III/3)	2.5 kV
Rated surge voltage (III/2)	2.5 kV
Rated surge voltage (II/2)	2.5 kV
Rated voltage (III/2)	250 V
Rated voltage (II/2)	250 V
Connection in acc. with standard	EN-VDE
Nominal current $I_N$	4 A
Nominal voltage $U_N$	160 V
Nominal cross section	0.5 mm <sup>2</sup>
Maximum load current	4 A (with 0.5 mm <sup>2</sup> conductor cross section)
Insulating material	PBT
Inflammability class acc. to UL 94	V0
Stripping length	6.5 mm

**Connection data**

Conductor cross section solid min.	0.12 mm <sup>2</sup>
Conductor cross section solid max.	0.5 mm <sup>2</sup>
Conductor cross section AWG/kcmil min.	26
Conductor cross section AWG/kcmil max	20

**Certificates / Approvals**



Certification

CCA, CUL, GOST, SEV, UL

**CUL**

Nominal voltage $U_N$	300 V
Nominal current $I_N$	4 A
AWG/kcmil	28-20

**UL**

Nominal voltage $U_N$	300 V
Nominal current $I_N$	4 A
AWG/kcmil	28-20

**Accessories**

Item	Designation	Description
------	-------------	-------------

**General**

1905340	FK-MPT 0,5/ 2-IC-3,5	Header, Nominal current: 3 A, Nom. voltage: 160 V, Pitch: 3.5 mm, Number of positions: 2, Color: black, Assembly: Soldering
1905492	FK-MPT 0,5/ 2-ICV-3,5	Header, Nominal current: 3 A, Nom. voltage: 160 V, Pitch: 3.5 mm, Number of positions: 2, Color: black, Assembly: Soldering

**Tools**

1204504	SZF 0-0,4X2,5	Screwdriver, blade: 0.4 x 2.5 x 100 mm, length 180 mm
---------	---------------	---

**Additional products**

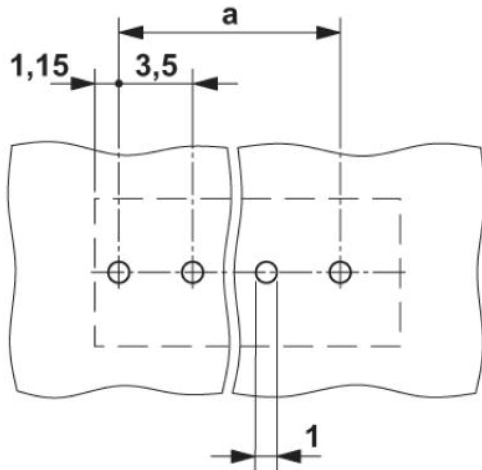
Item	Designation	Description
------	-------------	-------------

**General**

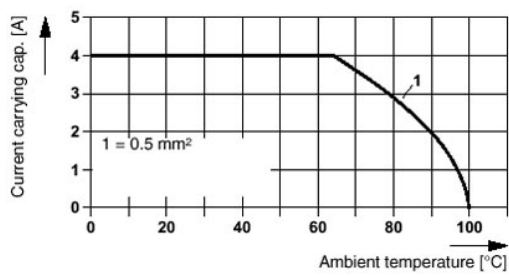
1905340	FK-MPT 0,5/ 2-IC-3,5	Header, Nominal current: 3 A, Nom. voltage: 160 V, Pitch: 3.5 mm, Number of positions: 2, Color: black, Assembly: Soldering
1905492	FK-MPT 0,5/ 2-ICV-3,5	Header, Nominal current: 3 A, Nom. voltage: 160 V, Pitch: 3.5 mm, Number of positions: 2, Color: black, Assembly: Soldering

## Diagrams/Drawings

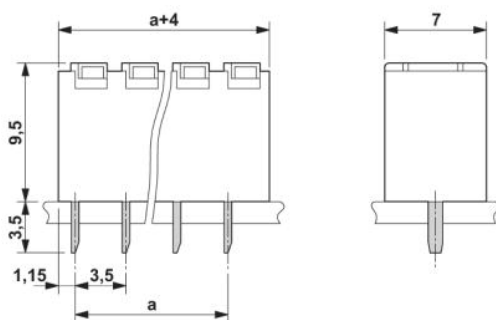
Drilling plan/solder pad geometry



Diagram



Dimensioned drawing



**Address**

PHOENIX CONTACT Inc., USA  
586 Fulling Mill Road  
Middletown, PA 17057, USA  
Phone (800) 888-7388  
Fax (717) 944-1625  
<http://www.phoenixcon.com>



© 2010 Phoenix Contact  
Technical modifications reserved;