

4

3

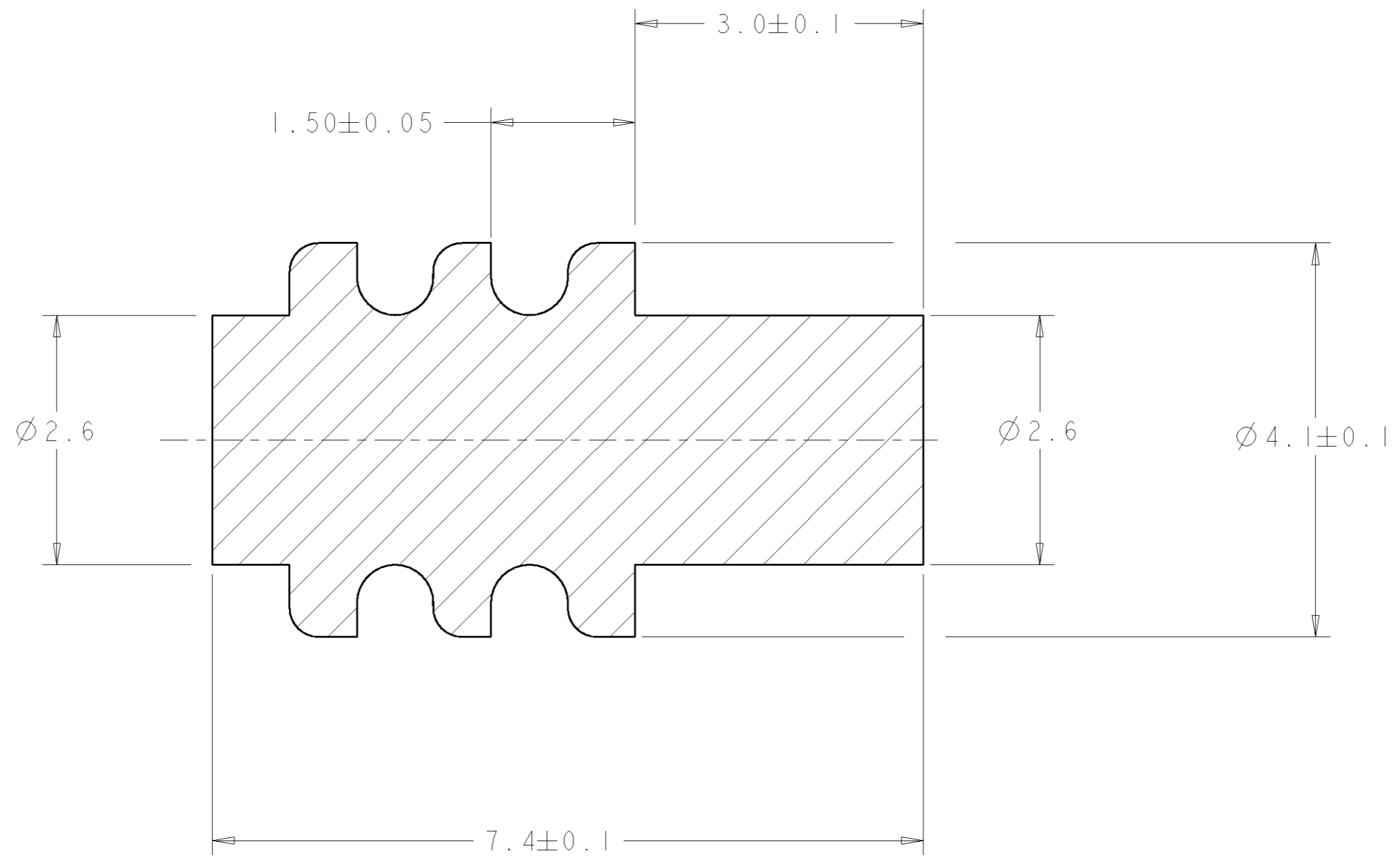
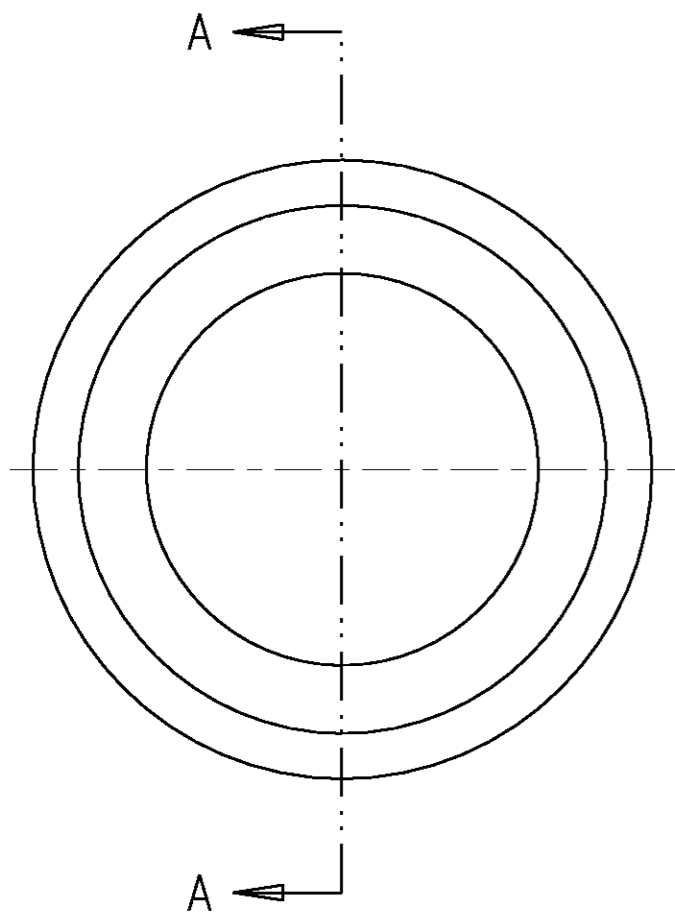
2

1

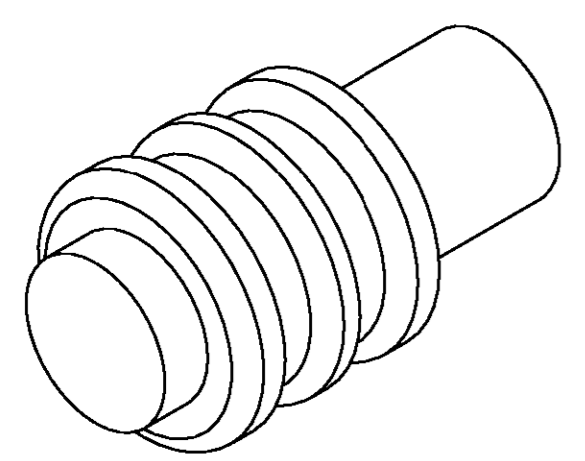
THIS DRAWING IS UNPUBLISHED. RELEASED FOR PUBLICATION 20  
 © COPYRIGHT 20 BY TYCO ELECTRONICS CORPORATION. ALL RIGHTS RESERVED.

LOC	DIST	REVISIONS					
CM	00	P	LTR	DESCRIPTION	DATE	DWN	APVD
		B		REVISED PER 063B-0478-03	06-JUN-03	KW	CJ

△ MATERIAL: SILICON RUBBER, BLACK.



SECTION A-A



3 DIMENSIONAL VIEW  
SCALE 10:1

METRIC

794995-1  
PART NUMBER

<small>THIS DRAWING IS A CONTROLLED DOCUMENT FOR TYCO ELECTRONICS CORPORATION. IT IS SUBJECT TO CHANGE AND THE CONTROLLING ENGINEERING ORGANIZATION SHOULD BE CONTACTED FOR THE LATEST REVISION.</small>		DWN K. WHITAKER 21-NOV-2001 CHK C. JONES 21-NOV-2001 APVD C. JONES 21-NOV-2001	<b>tyco</b> Electronics Tyco Electronics Harrisburg, PA 17105-3608
DIMENSIONS: mm 	TOLERANCES UNLESS OTHERWISE SPECIFIED: 0 PLC ± 1 PLC ±.2 2 PLC ± 3 PLC ± 4 PLC ± ANGLES ±° FINISH	PRODUCT SPEC - APPLICATION SPEC - WEIGHT -	NAME SINGLE CAVITY PLUG SEAL, MINI UNIVERSAL MATE-N-LOK™ SIZE A2 CAGE CODE 00779 C=794995 DRAWING NO 794995-1 RESTRICTED TO - SCALE 20:1 SHEET 1 OF 1 REV B
MATERIAL △ - CUSTOMER DRAWING			