

AN3311K, AN3311S

Head Amplifier ICs for 4-Head VCR

Overview

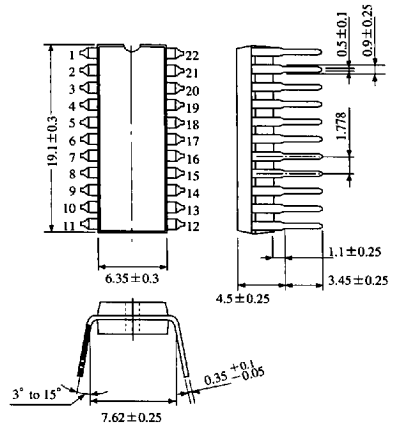
The AN3311K and the AN3311S are integrated circuits designed for head amplifier circuits of 4-head VCR.

Features

- Built-in envelope comparing circuit.
- Built-in peaking amplifier circuit.
- Low input-conversion noise
- Supply voltage : $V_{CC} = 5V$

AN3311K

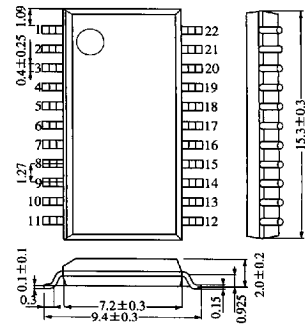
Unit : mm



22-Pin Shrinked DIL Plastic Package (SDIP022-P-0300A)

AN3311S

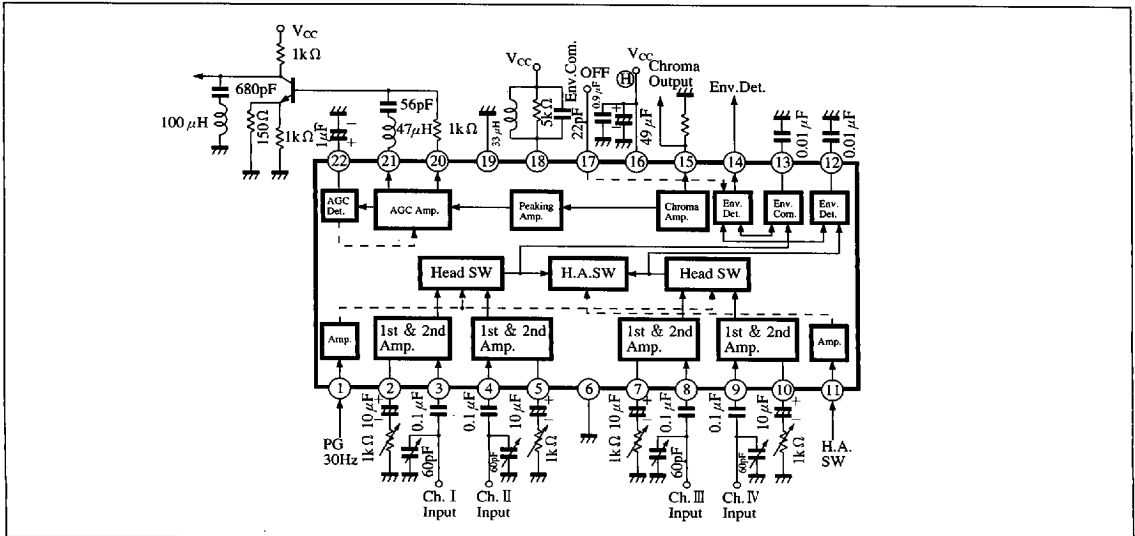
Unit : mm



22-Pin PANAFLAT Package (SOP022-P-0375)

ICs for
VCR

Block Diagram



Panasonic

6932852 0014494 974