

4

3

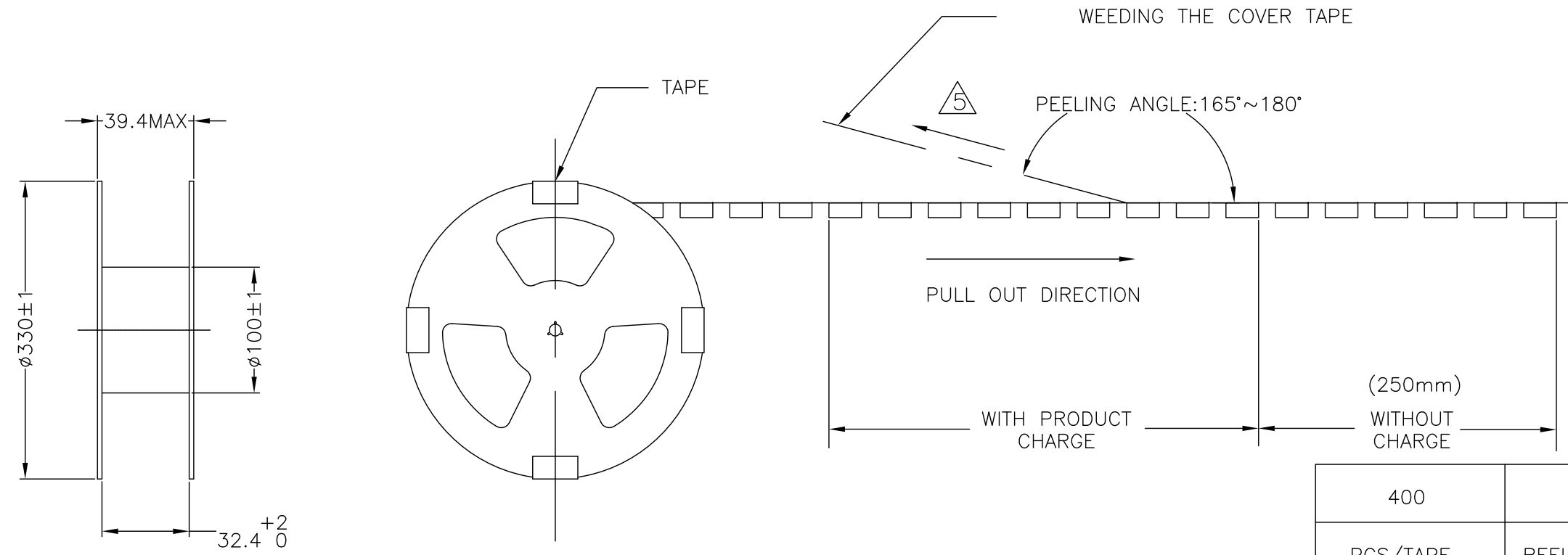
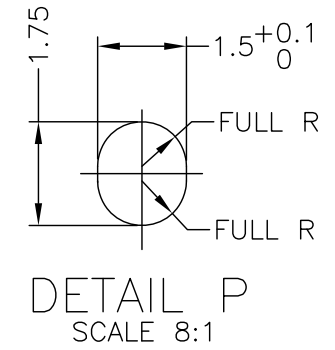
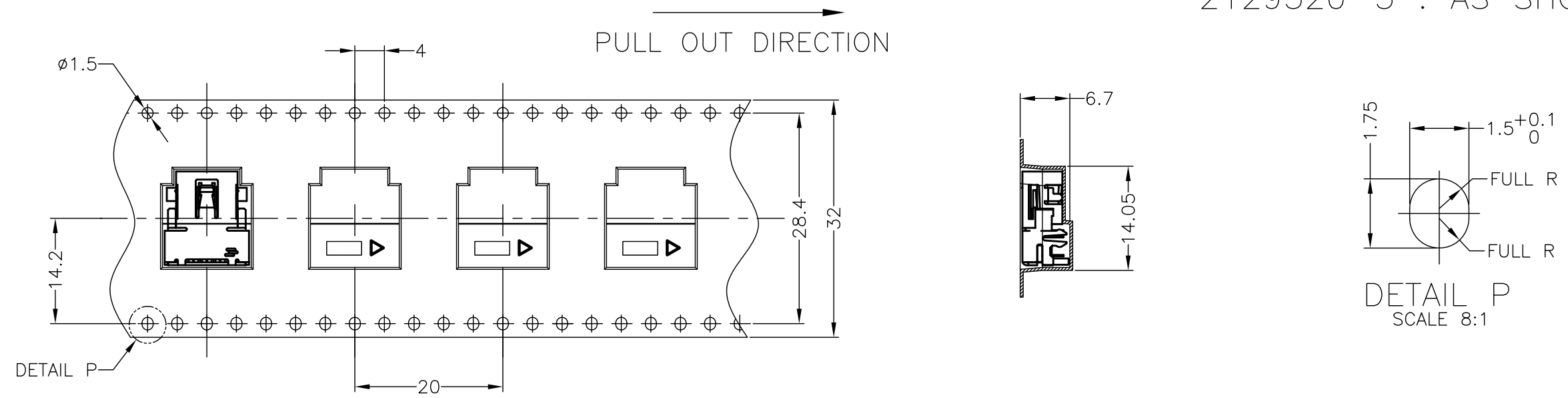
2

1

THIS DRAWING IS UNPUBLISHED. RELEASED FOR PUBLICATION  
 © COPYRIGHT - By - ALL RIGHTS RESERVED.

LOC	DIST	REVISIONS			
P	LTR	DESCRIPTION	DATE	DWN	APVD
D		REVISED (ECR-13-015305)	30SEP13	J.L	H.K

2129320-3 : AS SHOWN



400	8	3200
PCS/TAPE	REELS/CARTON	TOTAL Q'TY

THIS DRAWING IS A CONTROLLED DOCUMENT.		DWN	V.PENG	02SEP2011	 TE Connectivity
DIMENSIONS: mm		CHK	M.CHAO	02SEP2011	
TOLERANCES UNLESS OTHERWISE SPECIFIED: 0 PLC ± 1 PLC ± 2 PLC ± ±0.25 3 PLC ± 4 PLC ± ANGLES ±3		APVD	H.KODAMA	02SEP2011	
MATERIAL: SEE NOTE 1		FINISH		PRODUCT SPEC	
CUSTOMER DRAWING		NAME		MINI DISPLAYPORT RECEPTACLE CONNECTOR 4 ROW TH, REVERSED, OFFSET TYPE	
SIZE: A3		CAGE CODE: 00779	DRAWING NO: C-2129320	RESTRICTED TO	
SCALE: NONE		SHEET: 1 OF 4		REV: D	

4

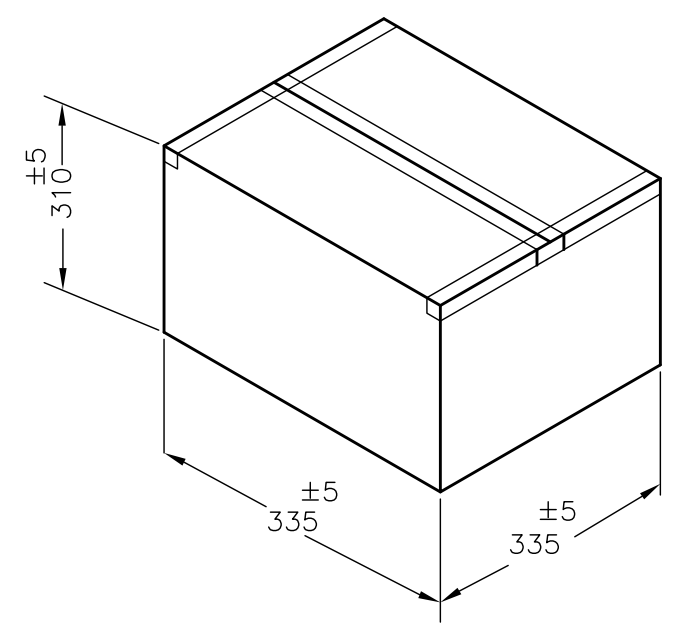
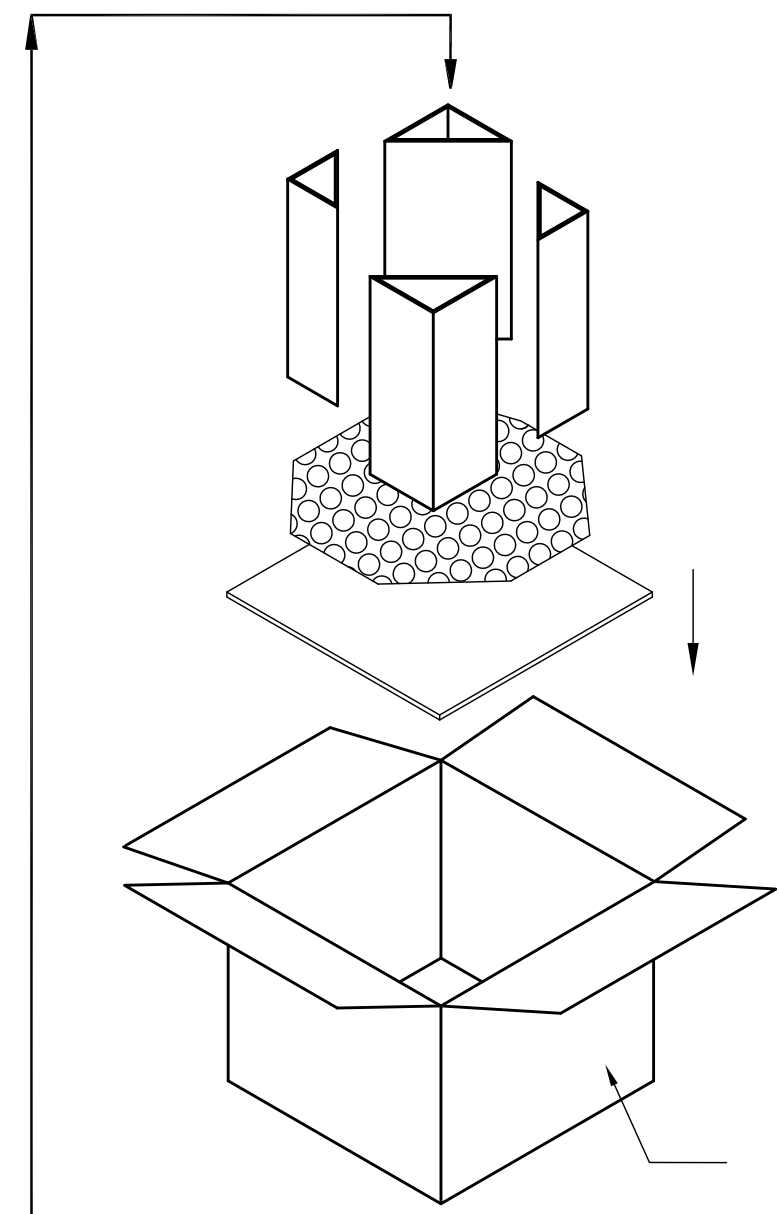
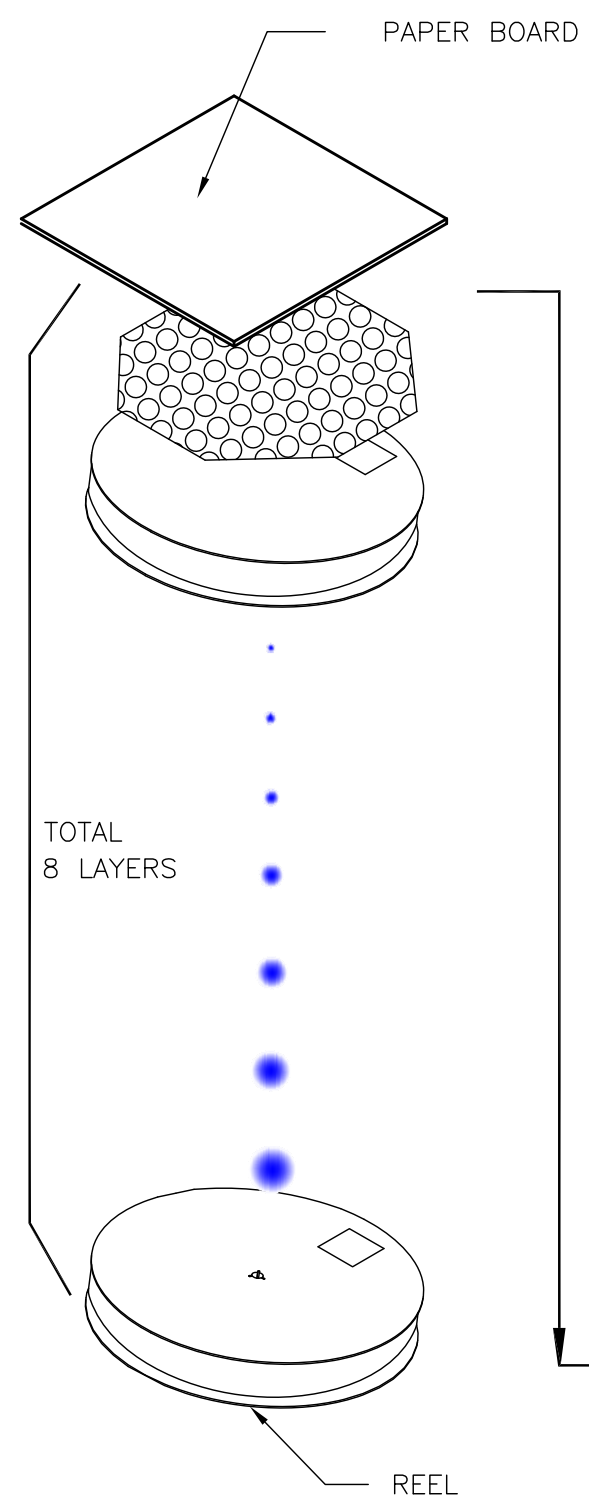
3

2

1

THIS DRAWING IS UNPUBLISHED. RELEASED FOR PUBLICATION - , - .  
 © COPYRIGHT - By - ALL RIGHTS RESERVED.

LOC	DIST	REVISIONS			
P	LTR	DESCRIPTION	DATE	DWN	APVD
		SEE SHEET 1	-	-	-



1. PACKING MATERIAL :
  - 1.1 REEL: PS(RoHS) BLUE.
  - 1.2 COVER TAPE: PET,
  - 1.3 SHIPPING CARTON: CORRUGATED FIBER
2. DIMENSION :
  - 2.1 REEL: W=44.5, DIA=330
  - 2.2 SHIPPING CARTON: L=335, W=335, H=310
3. QUANTITY :
  - 3.1 PRIMARY PACKING: 400 PCS/REEL
  - 3.2 SECONDARY PACKING: 8 REELS(3200 PCS)/CARTON
4. WEIGHT :
  - 4.1 NET WEIGHT : 1.23g/PCS, 0.49Kg/REEL, 3.93Kg/CARTON.
  - 4.2 GROSS WEIGHT: 7.83 Kg/CARTON.
5. PEELING RESISTANCE: 0.1~0.7N (10.2gf~71.4gf).
6. PEELING SPEED: 300mm/MINUTES.

THIS DRAWING IS A CONTROLLED DOCUMENT.		DWN	<b>STE</b> TE Connectivity																			
DIMENSIONS: mm		CHK																				
TOLERANCES UNLESS OTHERWISE SPECIFIED:		APVD	NAME																			
<table border="0"> <tr><td>0 PLC</td><td>±</td><td></td></tr> <tr><td>1 PLC</td><td>±</td><td></td></tr> <tr><td>2 PLC</td><td>±</td><td>±0.25</td></tr> <tr><td>3 PLC</td><td>±</td><td></td></tr> <tr><td>4 PLC</td><td>±</td><td></td></tr> <tr><td>ANGLES</td><td>±</td><td>±3</td></tr> </table>		0 PLC	±		1 PLC	±		2 PLC	±	±0.25	3 PLC	±		4 PLC	±		ANGLES	±	±3	PRODUCT SPEC	MINI DISPLAYPORT RECEPTACLE CONNECTOR	
0 PLC	±																					
1 PLC	±																					
2 PLC	±	±0.25																				
3 PLC	±																					
4 PLC	±																					
ANGLES	±	±3																				
MATERIAL		APPLICATION SPEC	4 ROW TH, REVERSED, OFFSET TYPE																			
FINISH		WEIGHT	SIZE	RESTRICTED TO																		
SEE NOTE 1		CUSTOMER DRAWING	A3																			
			CAGE CODE	DRAWING NO																		
			00779	C-2129320																		
			SCALE	SHEET																		
			NONE	2 OF 4																		
			REV	D																		

4

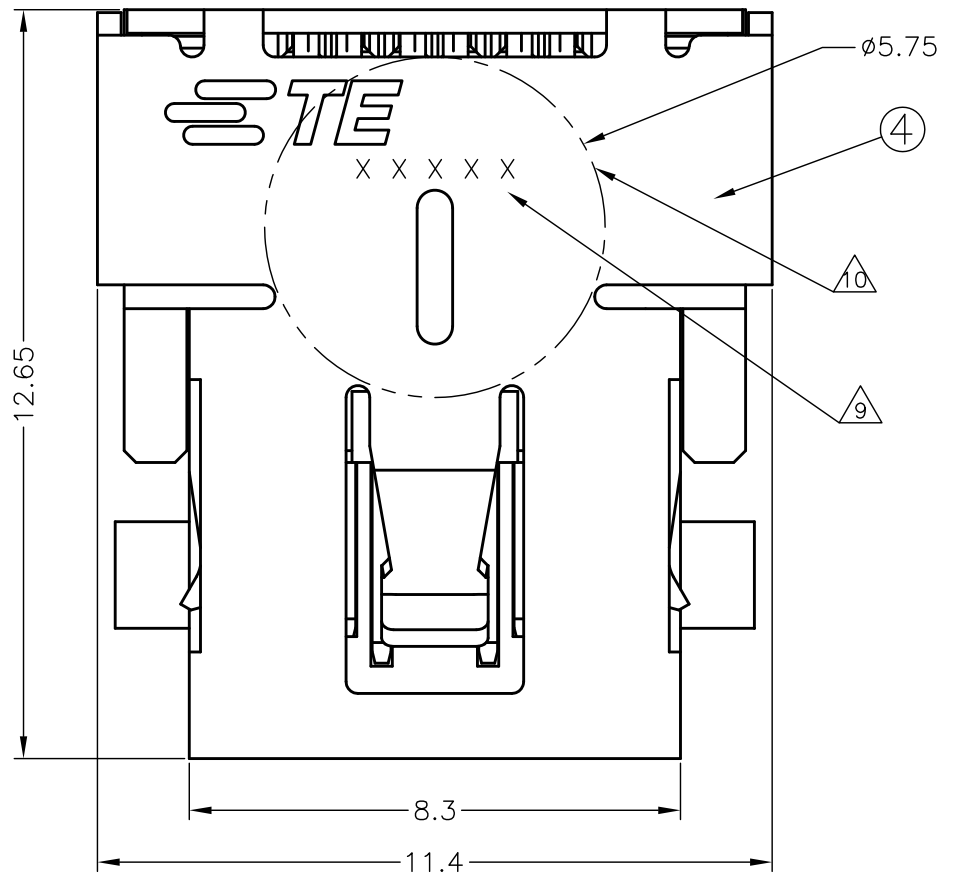
3

2

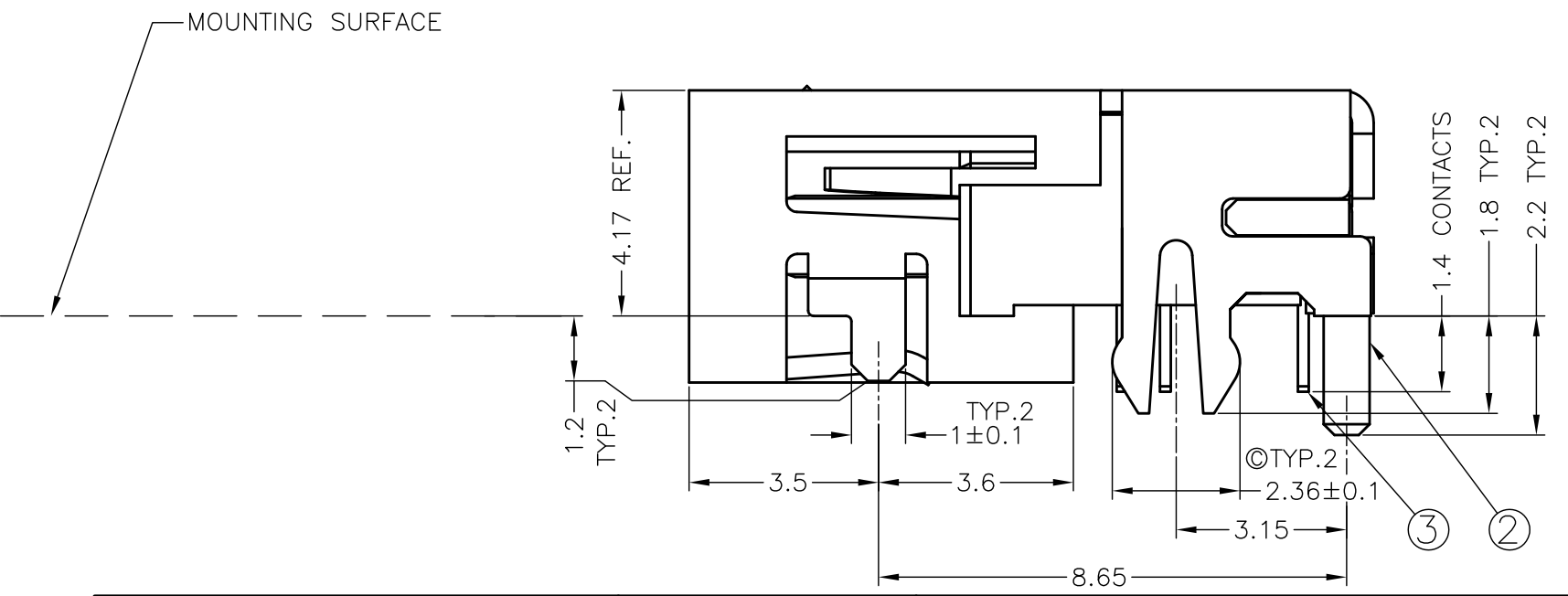
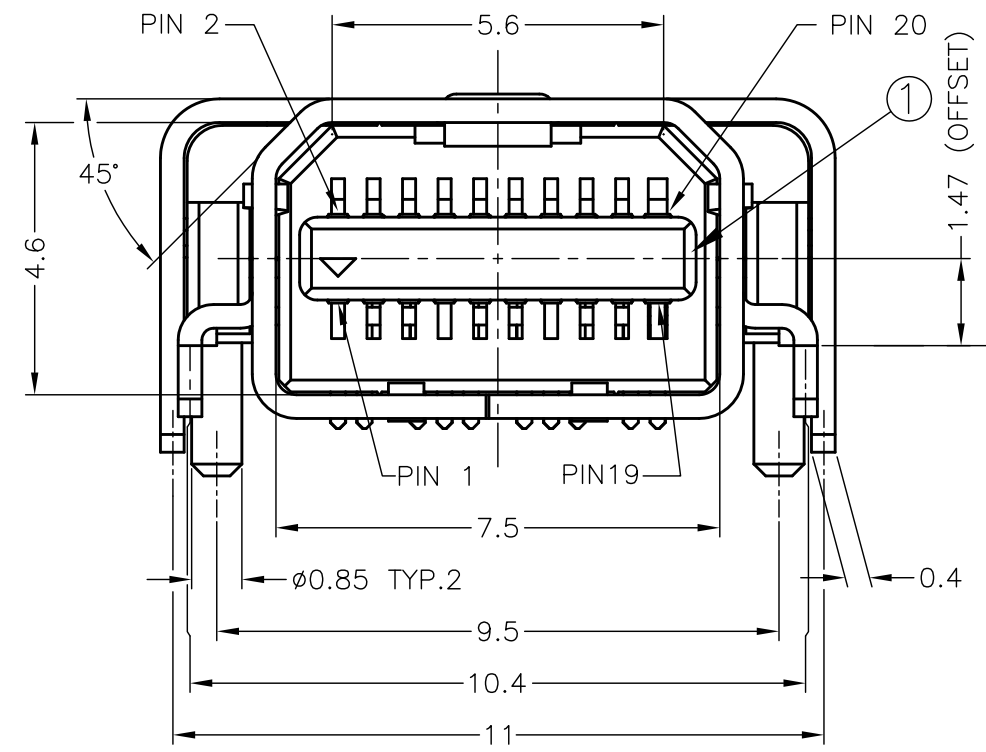
1

THIS DRAWING IS UNPUBLISHED. RELEASED FOR PUBLICATION  
 © COPYRIGHT - By - ALL RIGHTS RESERVED.

LOC	DIST	REVISIONS				
P	LTR	DESCRIPTION	DATE	DWN	APVD	
DW		SEE SHEET 1	-	-	-	



- △ MATERIAL:  
 ① HOUSING: HIGH TEMPERATURE THERMAL PLASTIC, BLACK, UL94V-0.  
 ② TINE PLATE: HIGH TEMPERATURE THERMAL PLASTIC, BLACK, UL94V-0.  
 ③ CONTACT: COPPER ALLOY.  
 ④ SHELL: STAINLESS STEEL.
- △ FINISH:  
 CONTACT:  
 CONTACT AREA: Au PLATING 0.38 um  
 SOLDER TAIL AREA: MATTE TIN PLATING  
 UNDER PLATING: NICKEL PLATING OVERALL
- SHELL:  
 MATTE TIN PL. ALL OVER  
 NICKEL UNDERPLATING ALL OVER
- △ DATE CODE  
 △ PICK & PLACE VACUUM AREA  
 11. LOW HALOGEN SPECIFICATION  
 CHLORINE(Cl) : 900 ppm MAX.  
 BROMINE(Br) : 900 ppm MAX.

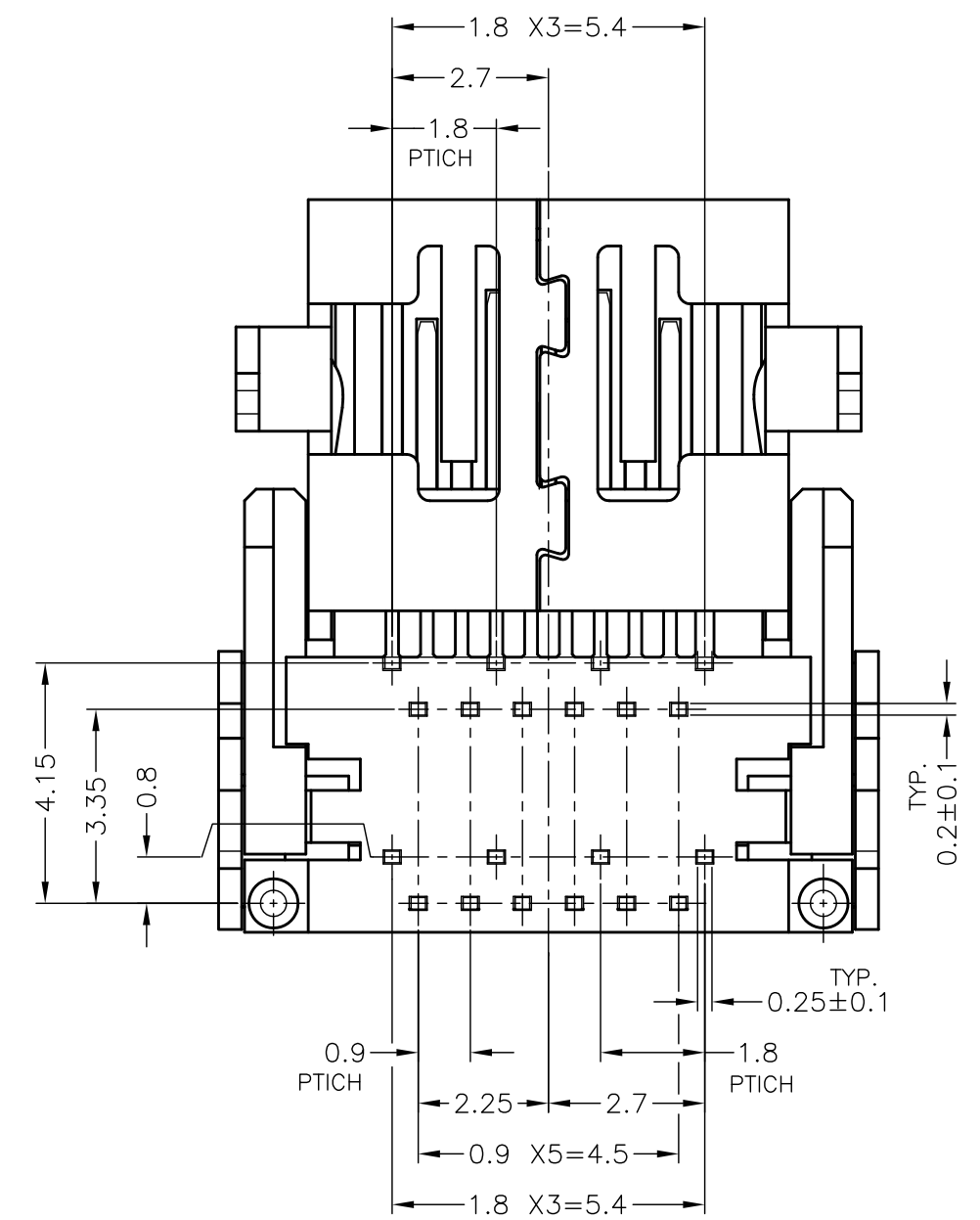
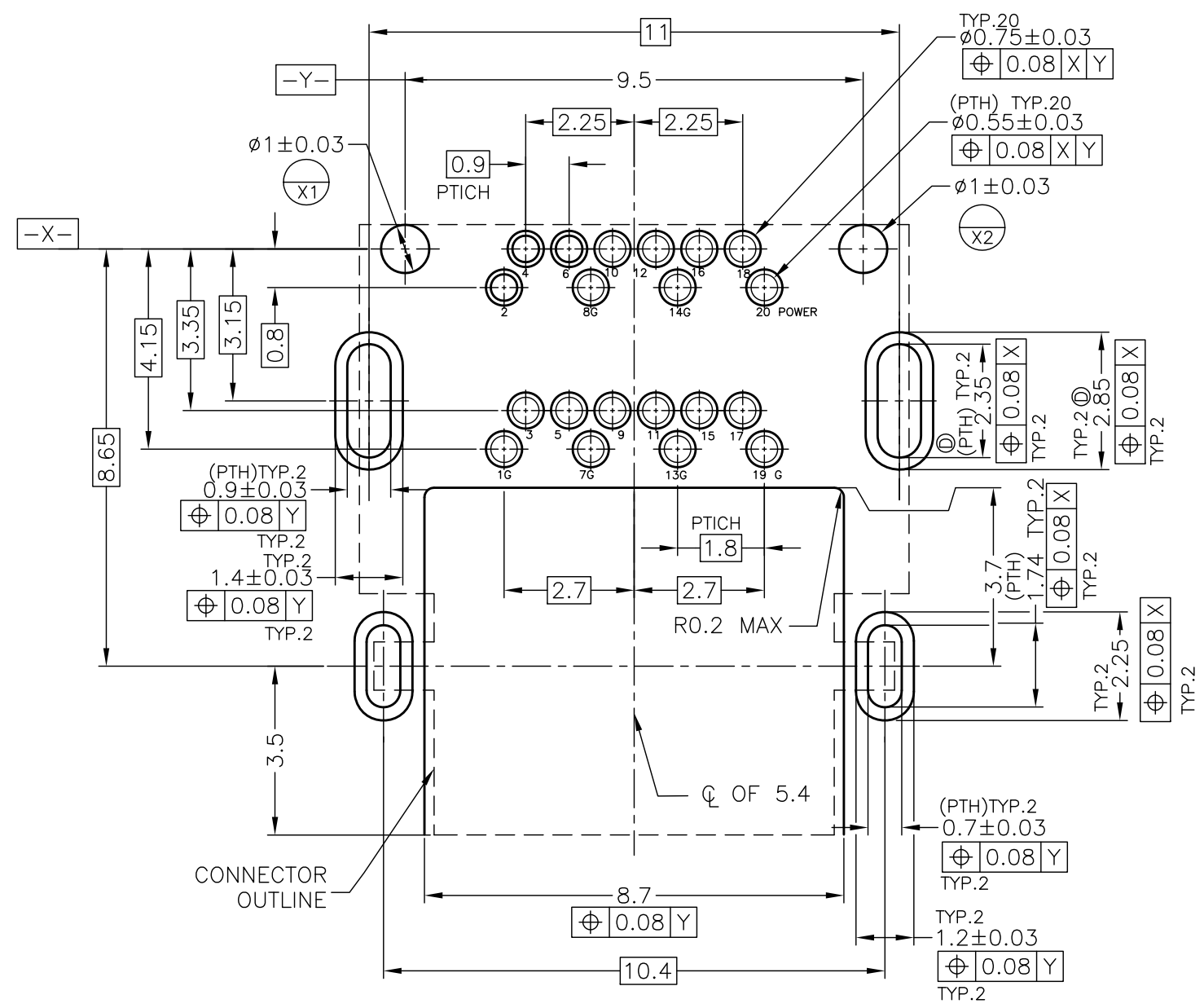


↑  
VIEW A

THIS DRAWING IS A CONTROLLED DOCUMENT.		DWN	<b>STE</b> TE Connectivity	
DIMENSIONS: mm		CHK		
TOLERANCES UNLESS OTHERWISE SPECIFIED: 0 PLC ± 1 PLC ± 2 PLC ± ±0.25 3 PLC ± 4 PLC ± ANGLES ±3		APVD	NAME	
MATERIAL SEE NOTE 7		PRODUCT SPEC	MINI DISPLAYPORT RECEPTACLE CONNECTOR 4 ROW TH, REVERSED, OFFSET TYPE	
FINISH SEE NOTE 8		APPLICATION SPEC	SIZE	RESTRICTED TO
CUSTOMER DRAWING		WEIGHT	A3	
			CAGE CODE	
			DRAWING NO	
			00779	
			2129320	
		SCALE	SHEET	REV
		8:1	3 of 4	D

THIS DRAWING IS UNPUBLISHED. RELEASED FOR PUBLICATION  
 © COPYRIGHT - By - ALL RIGHTS RESERVED.

LOC	DIST	REVISIONS			
P	LTR	DESCRIPTION	DATE	DWN	APVD
DW		SEE SHEET 1	-	-	-



REFERENCE PCB LAYOUT  
 MOUNTING SIDE VIEW (THICKNESS=1.2±0.1)  
 TOLERANCE: ±0.05

THIS DRAWING IS A CONTROLLED DOCUMENT.		DWN		TE Connectivity	
DIMENSIONS: mm		CHK			
TOLERANCES UNLESS OTHERWISE SPECIFIED:		APVD		NAME	
0 PLC ± 1 PLC ± 2 PLC ± ±0.25 3 PLC ± 4 PLC ± ANGLES ±3 FINISH		PRODUCT SPEC		MINI DISPLAYPORT RECEPTACLE CONNECTOR	
MATERIAL		APPLICATION SPEC		4 ROW TH, REVERSED, OFFSET TYPE	
		WEIGHT		SIZE	RESTRICTED TO
		CUSTOMER DRAWING		A3	
		SCALE		CAGE CODE	DRAWING NO
		8:1		00779	C-2129320
		SHEET		REV	
		4 OF 4		D	